

User Guide

Large Kibble Washing Platform



Product Information

Overview

The Conquip Large Kibble Washing Platform facilitates a compact, safe method of washing out concrete kibles on site. It allows site operatives to access and use a wash hose or jet-washer to clean the kibble, whilst the kibble is held in an upright position in the robust frame. The platform is most often used with a Conquip Washout Tray, or as part of the full Conquip Concrete Washout System which includes a filtration tray, pump and water storage tank, to contain the washout water and enable the waste water and concrete to be reused.

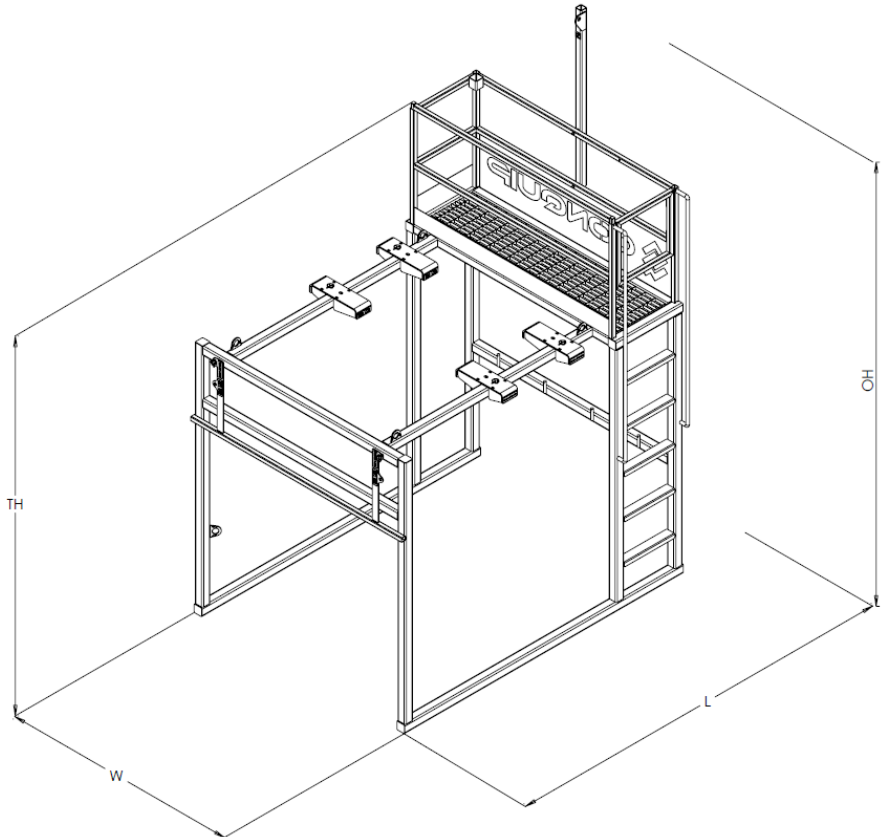
Key Benefits

- Regular cleaning of concrete kibles prevents deterioration due to build up of dried concrete.
- Compact design for when space is premium.
- Compatible with Conquip Column Kibles and other concrete washout equipment.
- Complete with access stairs and harness point.
- Reinforced, one-piece, robust frame with lifting points to enable a single crane-lift.

Product Information

Specification

Item	Product Code
Large Kibble Washing Platform	CS241



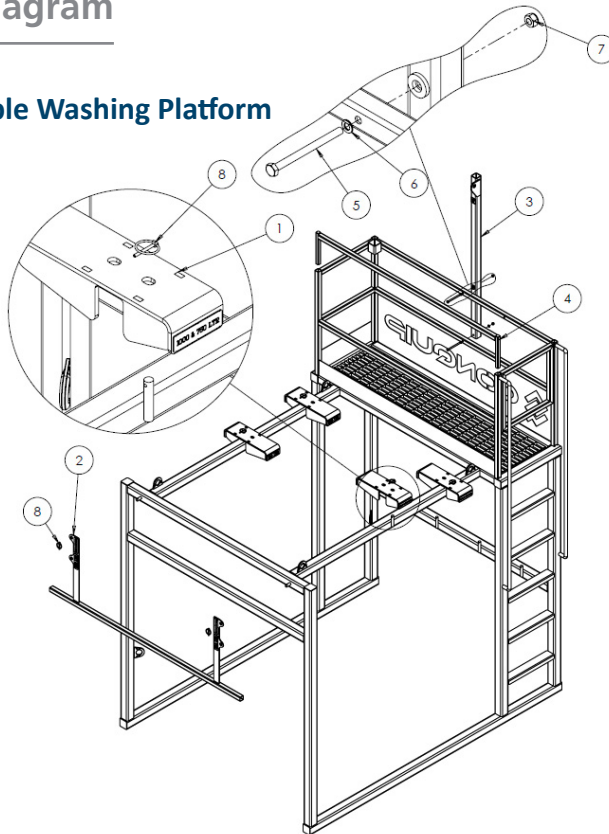
¹Working Load Limit

Transport Height	Overall Height	Width	Length	Weight	WLL ¹
3374mm	4395mm	2210mm	2910mm	580kg	Self Weight

Product Information

Parts Diagram

Large Kibble Washing Platform



NOTE: These parts are for this model, they may differ for previous versions. Please contact Conquip with any queries.

Item Number	Part Number	Description	Quantity
1	ZZ120233	Adjustment bracket	4
2	ZZ120234	Adjustment cross bar	1
3	ZZ120235	Harness point bar	1
4	ZZ120236	Removeable handrail	1
5	NS800138	M10 x 100 Hex head set screw	2
6	NS800262	M10 washer	4
7	NS800013	M10 Nyloc	2
8	ZZ990009	Linch pin 6mm	6

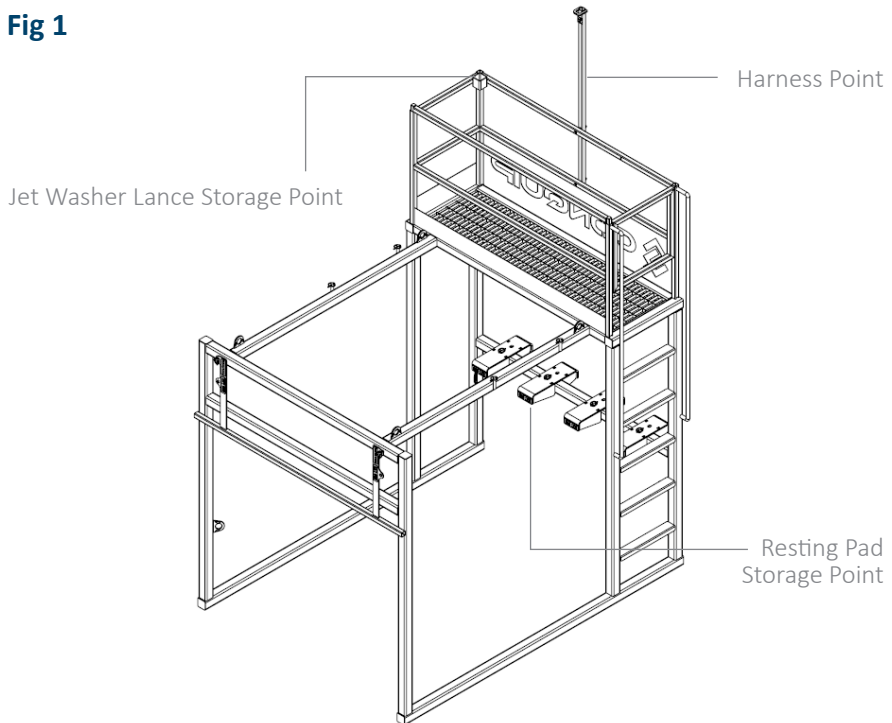
Original Working Instructions

Usage Instructions

Important Usage Notes

- Do not move the kibble or lifting apparatus whilst an operator is on the platform. All personnel must remain clear of the platform and area while a kibble is being lowered or lifted into the platform.
- If removing lifting chains from the platform, ensure that you are using a certified access platform for working at height.
- Ensure the harness point is down when the Kibble Washing Platform is being transported.
- The use of high pressure washing equipment is subject to additional risk assessment and hazard controls.
- The cleaning process creates wet concrete waste which is a hazardous alkaline compound.

Fig 1



Original Working Instructions

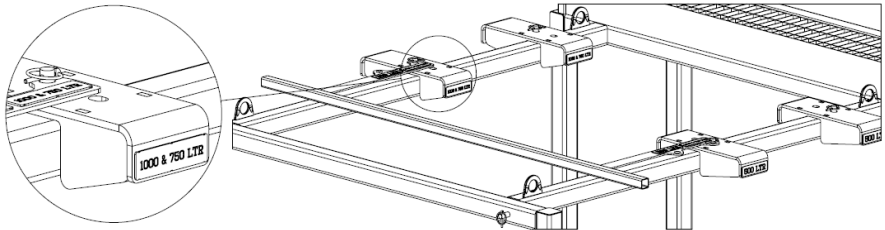
Usage Instructions

1. Attach the lifting apparatus to the Large Kibble Washing Platform lifting points, using a suitably rated certified four leg lifting chain. Always ensure that the hook's gate is correctly closed.
2. Crane lift and lower the platform to the designated washout area. Place over a washout tray, Filtration Tray or Builder's Kibble – whichever is being used to contain the waste concrete water.
3. Make sure the frame is stable and on firm, level ground.
4. With the Large Kibble Washing Platform in position, the harness point upright can be moved into position. The central bolt should be loosened slightly, and the outer bolt removed completely. Swing the post upright and refit the central bolt to fix the upright to the mid-rail. Tighten both bolts.
5. The platform can be configured to hold Conquip Concrete Column Kibbles from 500 to 3000 litre capacity. The configurations must be changed before lifting a kibble into the platform.
6. The configuration is changed with four adjustable resting pads and a restraint bar. The resting pads can be adjusted by removing the linch pins, lifting off the restraint bar and resting pads, rotating the resting pads 180° so a smaller/larger length is overhanging into the kibble holding area, and replace the linch pins. For the largest sizes of kibble the resting pads and the restraint bar will need to be removed completely. The labels shown on the resting pads and the restrain bar denote the kibble sizes that can be used in that position. Configuration is required for each size of kibble. (Fig 2, page 7)
7. When not required, the restrain bar and the resting pads can be stored on the end of the Large Kibble Washing Platform, secured with their linch pins through the framework. (Fig 1, page 5)
8. With the platform on firm, level ground, configured for the size of kibble you wish to clean, and clear of all personnel, the kibble can be lifted and lowered into position. The open mouth of the kibble should be facing the raised platform.
9. Lower the chains or the bale arm, depending on the kibble type. If using a column kibble with bale arm, ensure the bale arm is lowered to the safe position. Depending on operational requirements and the site risk assessment, the kibble can now be unattached from the lifting apparatus and chains, or remain attached.
10. Platform operators must wear a suitable safety harness with lanyard, adjusted to suit and attached to the harness point. (Fig 1, page 5)

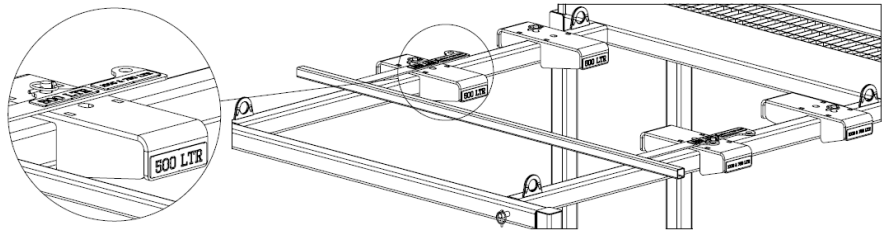
11. The platform front hand rail may be removed and stored in the top of the rear rail to improve access for kibble washing. The rail should be returned to its original position whenever there is not a kibble in the platform.
12. The wash hose or jet-washer lance can be stored in the holster attached to the hand rail, but this must be arranged in a safe manner. (Fig 1, page 5)
13. Wash the kibble as required and ensure all loose waste and water is removed from the kibble before it is lifted away from the platform.
14. Leave the platform and remain clear of the area before the kibble is lifted away.
15. Lift the kibble away from the Large Kibble Washing Platform and clean down the framework.

Fig 2

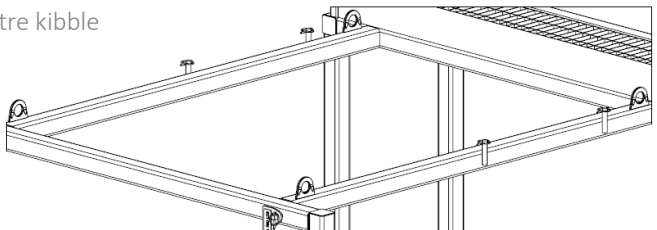
500 litre kibble



750 & 1000 litre kibble



1500, 2000 & 3000 litre kibble



Original Working Instructions

Safety Instructions

Basic Safety

A site-specific Risk Assessment, and lift plan where applicable, must be completed by the responsible person before using this equipment to control risks, produce a safe system of work and ensure safety for you, your colleagues and others. Your risk assessment will determine the correct Personal Protective Equipment (PPE) for the task you are doing. You must use it. Conquip recommends that you should wear:

- Suitable clothing
- Gloves
- Hard hat
- Protective footwear (steel toecaps)
- Safety glasses
- Safety Harness



Important Safety Notes

- Read these instructions before using this equipment. If there is anything you do not understand or if you have any concerns do not use this equipment. Contact your supervisor or Conquip Engineering Group for advice.
- You must check that you have considered all the safety requirements for the task you are doing and that this equipment is suitable.
- You must protect bystanders and the general public by preventing access to the working area.
- Do not use this equipment if you are tired, unwell or under the influence of alcohol or drugs. If you are taking any medicine or undergoing treatment you should inform your supervisor.

Usage & Transportation

- Never unevenly load this equipment.
- The weight of the equipment, together with its attachments, must be added to the weight of the load when calculating the total load that will be imposed on the lifting apparatus / operating machine.
- This equipment must be used in conjunction with the load ratings of the lifting apparatus / operating machine. (Refer to the manufacturers' load ratings and original working instructions).
- Make sure you know how to use this equipment and understand all aspects of its operation in case of emergency.
- This equipment weighs more than 25kg. Do not lift or manhandle without machine assistance.
- Do not operate this equipment near overhead power lines.
- Take care in confined spaces, near ceilings or similar hazards. This equipment was designed for vertical lifting. Do not drag, or swing.
- Before operating this equipment, check that you have enough space for you to work safely and make sure that the working area is clear of hazards, obstructions and personnel.
- Before lowering equipment make sure that the landing zone is clear and capable of accepting the size and weight of the load.
- Crush Risk. Keep hands and feet clear of the equipment at all times to avoid injury.
- Do not exceed the maximum Working Load Limit (WLL) shown on the serial plate. Ensure that the WLL on the individual lift points is not exceeded.

Personnel

- All personnel must wear relevant personal protective equipment.
- Do not wear loose clothing or jewellery and tie back long hair to avoid becoming tangled or trapped in this equipment. You must make everyone in the work area aware of what you are doing.
- All personnel involved in the lifting operation must be competent to do so and must have been briefed in conjunction with this User Guide available from Conquip Engineering Group, the manufacturer.

Equipment Maintenance & Cleaning

- It is mandatory that the equipment is thoroughly examined regularly, by a qualified engineer, to ensure compliance with relevant regulation/s. (Conquip recommend to carry out thorough examination every six months).
- This product may incorporate various loose and detachable items of lifting gear. Refer to the separate requirements for the safe use of those items.
- When not being used, store the unit in a clean, upright condition and in a safe place where it will be protected from thieves and unauthorised users.
- This equipment must be inspected by the responsible person before each use and then regularly, as determined by your risk assessment or working practice. If you have any concerns about condition or suitability do not use.

Disclaimer

Warranty

The products supplied by Conquip Engineering Group are all guaranteed by a 12 month warranty.

Apart from where exceptions apply, Conquip Engineering Group promises to repair or replace any fault which the Company considers to be due to defective material or workmanship within 12 months of the date of sale, at no additional cost.

- Faults arising from unauthorised alterations (see modifications section below for full details).
- Damage caused by abuse, neglect, misuse or falling.
- Damage caused because of failure to follow transportation, storage, loading, cleaning or operating instructions.
- Replacement or repair of components due to fair wear and tear.
- Any consequential damage or wear arising from the use or fitting of additional or non-standard parts.

Modifications

If any third-party modifications or alterations, involving drilling, welding, cutting or distortion of materials in any form, are to be carried out on the product, Conquip Engineering Group must provide full written approval prior to the work being carried out.

Alterations, modifications, additions or repairs must be carried out by Conquip Engineering Group's recognised distributors, if they are not carrying out the work themselves.

Conquip Engineering Group operate a continuous improvement policy and therefore reserve the right to alter technical specifications and user guide details at any point without notice.

Conquip Engineering Group will not cover or reimburse any transportation and/or shipment costs to and from their premises or their recognised agents, or any material and/or labour costs for repair, replacement or assessment against a warranty claim.

Conquip Engineering Group and/or their directors, employees, insurers or recognised agents will not be held liable for consequential damages, losses or expenses relating to the inability to use the product correctly for its purpose.

Important Notes

- This User Guide is for this Conquip product only.
- Any movements of the product must be thoroughly planned before the work commences to identify potential hazards and assess risk.
- All personnel involved in lifting and transportation of this product must have read this User Guide and must be properly briefed.
- You must be competent, alert and medically fit when using this equipment. If you have a medical condition, a mental or physical disability, you must seek advice from a medical professional before using this equipment.

Talking to us is easy

We're here to help

Call us on (02) 8844 4590

Email us at sales@conquipgroup.com.au

www.conquipgroup.com.au