

User Guide

# Circular Muck Bin



## Product Information

### **Overview**

---

The Conquip Circular Muck Bin is a traditional crane lift bin used for muck and waste removal. It is fitted with safety catches which are disengaged by hand allowing the bin to self tip and empty automatically.

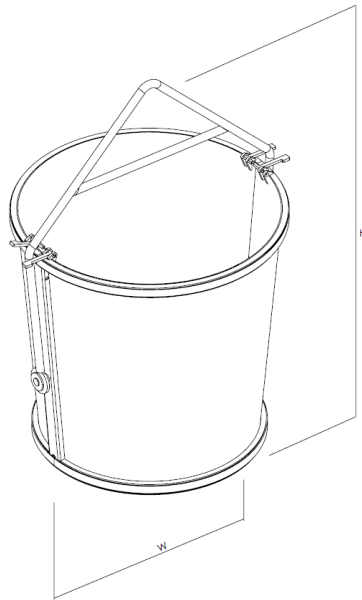
### **Key Benefits**

- Bin empties automatically in response to the centre of gravity of the bale arm, removing the need for an operator to be in the dangerous discharge zone.
- Large capacity, easy method of transporting muck and waste across sites.

# Product Information

## Specification

Item	Product Code
Circular Muck Bin 100	CA109-00100
Circular Muck Bin 250	CA109-00250
Circular Muck Bin 500	CA109-00500
Circular Muck Bin 750	CA109-00750
Circular Muck Bin 1000	CA109-01000



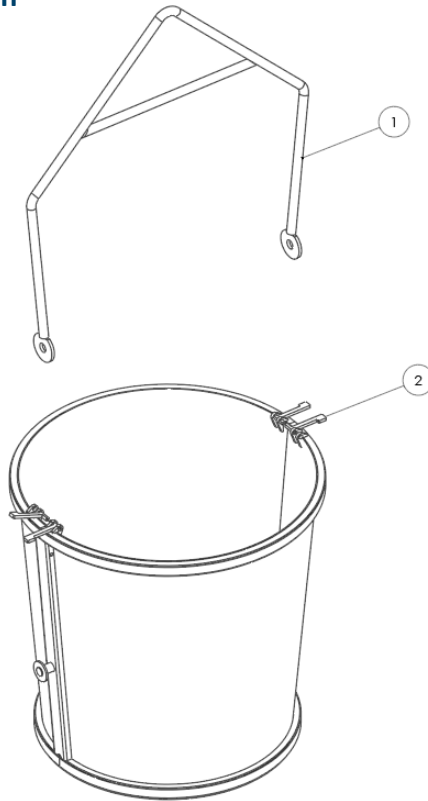
<sup>1</sup>Working Load Limit

Product Code	Height	Height with bale arm	Width	Weight	WLL <sup>1</sup>	Capacity
CA109-00100	580mm	920mm	740mm	34kg	200kg	100 litre
CA109-00250	770mm	1170mm	940mm	50kg	500kg	250 litre
CA109-00500	940mm	1460mm	1130mm	87kg	1000kg	500 litre
CA109-00750	910mm	1590mm	1300mm	150kg	1500kg	750 litre
CA109-01000	1150mm	1800mm	1410mm	290kg	2000kg	1000 litre

# Product Information

## Parts Diagram

### Circular Muck Bin



NOTE: These parts are for this model, they may differ for previous versions. Please contact Conquip with any queries.

Item Number	Part Number	Description	Quantity
1	ZZ300000	Bale Arm for 100 litres	1
	ZZ300024	Bale Arm for 250 litres	
	ZZ300021	Bale Arm for 500 litres	
	ZZ300013	Bale Arm for 750 litres	
	ZZ300017	Bale Arm for 1000 litres	
2	ZZ300018	Bale Arm Locking Finger	4

# Original Working Instructions

## Usage Instructions

---

### Important Usage Notes

- Do not use the Circular Muck Bin for carrying toxic or dangerous materials or chemicals or light fires in or around the bin.
- Do not overfill the bin by volume or weight, the load should be evenly placed.
- At no point during the operation of this bin should personnel be within the discharge zone.
- Releasing of any safety catches must only be performed with the bin resting on the ground and positioned next to the discharge point.
- All of the lifting, tipping and manoeuvring must be carried out by a crane. Do not attempt to move the bin of the bale arm by hand.
- The Circular Muck Bin is for lifting and transporting waste and materials only. Do not use to raise or transport personnel.

### Usage Instructions

1. Attach the lifting apparatus' hook to the bin's bale arm lifting eye. Always ensure that the hook's gate is correctly closed and the lifting eye is seated correctly in the hook.
2. If the bale arm is in the lowered position when attaching to the crane, raise the crane to bring the bale arm upright, turn all four safety catches outward and secure with the connected security locking pins.
3. Carry out a test lift to familiarise yourself with the locking mechanism.
4. Move the bin to the loading point and land the bin on firm level ground, which is able to bear the unit's weight and load.
5. Make sure that the bale arm is in the raised position and that all safety catches are set outward.
6. Fill the bin evenly, ensuring the load is no wider, longer or higher than the side walls.
7. Once loaded and ready, clear all personnel from the area and raise the bin off the ground to check that the load is balanced and secure.
8. The bin can now be carefully craned to the discharge area.

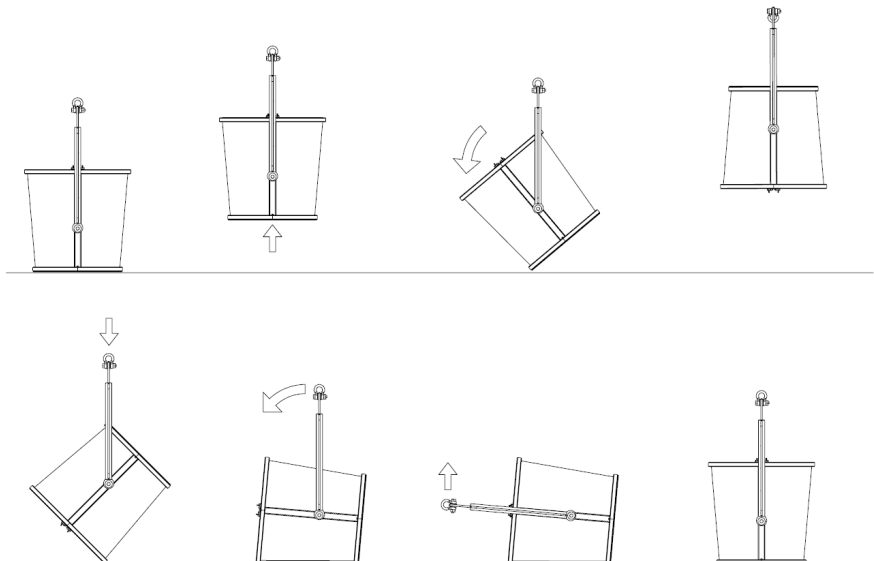
# Original Working Instructions

## Usage Instructions

---

### Continued

9. Ensure that no personnel are in the discharge area and lower the bin to the ground.
10. Turn one safety catch from each side of the bin inward – rear catch for forward tipping, front catch for backward tipping.
11. Once the bin is ready to be discharged, clear all personnel from the area and raise the bin to allow it to tip and discharge.
12. Having emptied the bin, lower it back to the ground into resting position and lower the bale arm until back into locking position.
13. Turn the catches outward to secure the bale arm in the locked position.
14. Raise the bin again and manoeuvre to the loading area.
15. Once empty and lowered, disconnect the bin from the lifting apparatus.



# Original Working Instructions

## Safety Instructions

---

### Basic Safety

A site-specific Risk Assessment, and lift plan where applicable, must be completed by the responsible person before using this equipment to control risks, produce a safe system of work and ensure safety for you, your colleagues and others. Your risk assessment will determine the correct Personal Protective Equipment (PPE) for the task you are doing. You must use it. Conquip recommends that you should wear:

- Suitable clothing
- Gloves
- Hard hat
- Protective footwear (steel toecaps)
- Safety glasses



### Important Safety Notes

- Read these instructions before using this equipment. If there is anything you do not understand or if you have any concerns do not use this equipment. Contact your supervisor or Conquip Engineering Group for advice.
- You must check that you have considered all the safety requirements for the task you are doing and that this equipment is suitable.
- You must protect bystanders and the general public by preventing access to the working area.
- Do not use this equipment if you are tired, unwell or under the influence of alcohol or drugs. If you are taking any medicine or undergoing treatment you should inform your supervisor.

## Usage & Transportation

- Never unevenly load this equipment.
- The weight of the equipment, together with its attachments, must be added to the weight of the load when calculating the total load that will be imposed on the lifting apparatus / operating machine.
- This equipment must be used in conjunction with the load ratings of the lifting apparatus / operating machine. (Refer to the manufacturers' load ratings and original working instructions).
- Make sure you know how to use this equipment and understand all aspects of its operation in case of emergency.
- This equipment weighs more than 25kg. Do not lift or manhandle without machine assistance.
- Do not operate this equipment near overhead power lines.
- Take care in confined spaces, near ceilings or similar hazards. This equipment was designed for vertical lifting. Do not drag, or swing.
- Before operating this equipment, check that you have enough space for you to work safely and make sure that the working area is clear of hazards, obstructions and personnel.
- Before lowering equipment make sure that the landing zone is clear and capable of accepting the size and weight of the load.
- Crush Risk. Keep hands and feet clear of the equipment at all times to avoid injury.
- Do not exceed the maximum Working Load Limit (WLL) shown on the serial plate. Ensure that the WLL on the individual lift points is not exceeded.
- Before lifting, check that the load is secured, balanced and stable. Allow space for the equipment to move if the load shifts.

## Personnel

- All personnel must wear relevant personal protective equipment.
- Do not wear loose clothing or jewellery and tie back long hair to avoid becoming tangled or trapped in this equipment. You must make everyone in the work area aware of what you are doing.
- All personnel involved in the lifting operation must be competent to do so and must have been briefed in conjunction with this User Guide available from Conquip Engineering Group, the manufacturer.

## Equipment Maintenance & Cleaning

- It is mandatory that the equipment is thoroughly examined regularly, by a qualified engineer, to ensure compliance with relevant regulation/s. (Conquip recommend to carry out thorough examination every six months).
- This product may incorporate various loose and detachable items of lifting gear. Refer to the separate requirements for the safe use of those items.
- When not being used, store the unit in a clean, upright condition and in a safe place where it will be protected from thieves and unauthorised users.
- This equipment must be inspected by the responsible person before each use and then regularly, as determined by your risk assessment or working practice. If you have any concerns about condition or suitability do not use.



# Disclaimer

---

## Warranty

The products supplied by Conquip Engineering Group are all guaranteed by a 12 month warranty.

Apart from where exceptions apply, Conquip Engineering Group promises to repair or replace any fault which the Company considers to be due to defective material or workmanship within 12 months of the date of sale, at no additional cost.

- Faults arising from unauthorised alterations (see modifications section below for full details).
- Damage caused by abuse, neglect, misuse or falling.
- Damage caused because of failure to follow transportation, storage, loading, cleaning or operating instructions.
- Replacement or repair of components due to fair wear and tear.
- Any consequential damage or wear arising from the use or fitting of additional or non-standard parts.

## Modifications

If any third-party modifications or alterations, involving drilling, welding, cutting or distortion of materials in any form, are to be carried out on the product, Conquip Engineering Group must provide full written approval prior to the work being carried out.

Alterations, modifications, additions or repairs must be carried out by Conquip Engineering Group's recognised distributors, if they are not carrying out the work themselves.

Conquip Engineering Group operate a continuous improvement policy and therefore reserve the right to alter technical specifications and user guide details at any point without notice.

Conquip Engineering Group will not cover or reimburse any transportation and/or shipment costs to and from their premises or their recognised agents, or any material and/or labour costs for repair, replacement or assessment against a warranty claim.

Conquip Engineering Group and/or their directors, employees, insurers or recognised agents will not be held liable for consequential damages, losses or expenses relating to the inability to use the product correctly for its purpose.





## Important Notes

- This User Guide is for this Conquip product only.
- Any movements of the product must be thoroughly planned before the work commences to identify potential hazards and assess risk.
- All personnel involved in lifting and transportation of this product must have read this User Guide and must be properly briefed.
- You must be competent, alert and medically fit when using this equipment. If you have a medical condition, a mental or physical disability, you must seek advice from a medical professional before using this equipment.

Talking to us is easy

**We're here to help**

Call us on (02) 8844 4590

Email us at [sales@conquipgroup.com.au](mailto:sales@conquipgroup.com.au)

[www.conquipgroup.com.au](http://www.conquipgroup.com.au)