

User Guide

Muck Bin



Product Information

Overview

The Conquip Muck Bin is for general muck and waste removal, the heavy-duty design making it ideal for transporting heavier loads, low loading height and drop-down bale arm making loading very easy.

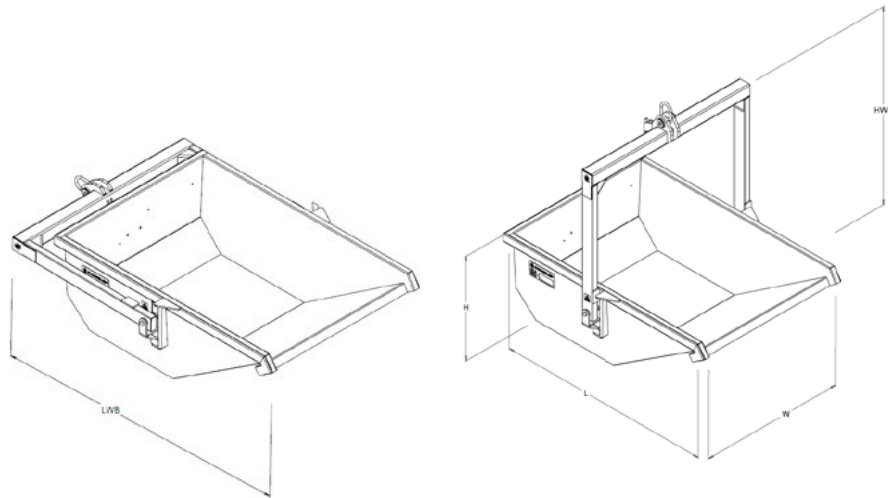
Designed with slotted bale arm, lifting point and latch for automatic emptying of the skip by the crane operator, it eliminates the need for an assistant to manually operate.

Key Benefits

- Automatic unloading eliminates the need for an assistant and for the slinger / signaller to enter the 'danger zone'.
- Lifts and tips part loads, a physical impossibility with traditional, manually operated, circular Muck Bins.
- Available in a wide range of capacities, from 500 to 6000 litres.
- Available with a debris cover to keep dust pollution to a minimum.

Product Information Specification

Item	Product Code
Small Muck Bin 500	CA108-00500
Small Muck Bin 750	CA108-00750
Small Muck Bin 1000	CA108-01000
Small Muck Bin 1500	CA108-01500
Small Muck Bin 2000	CA108-02000

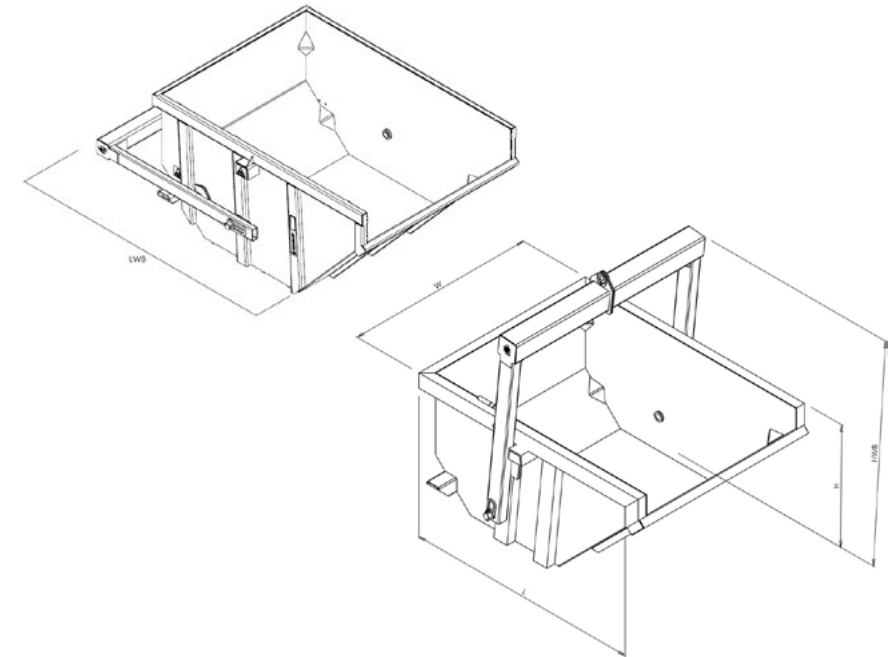


¹Working Load Limit

Product Code	Length	Length with Bale	Width	Height	Height with Bale	Weight	WLL ¹	Capacity
CA108-00500	1520mm	1690mm	1360mm	530mm	1410mm	130kg	1000kg	500 litres
CA108-00750	1595mm	1780mm	1710mm	560mm	1450mm	235kg	1500kg	750 litres
CA108-01000	1955mm	2135mm	1555mm	640mm	1720mm	255kg	2000kg	1000 litres
CA108-01500	2187mm	2390mm	1885mm	665mm	1815mm	425kg	3000kg	1500 litres
CA108-02000	2355mm	2555mm	1835mm	880mm	2180mm	540kg	4000kg	2000 litres

Product Information Specification

Item	Product Code
Large Muck Bin 2000	CA122-02000
Large Muck Bin 3000	CA122-03000
Large Muck Bin 4000	CA122-04000
Large Muck Bin 6000	CA138-06000



¹Working Load Limit

Product Code	Length	Length with Bale	Width	Height	Height with Bale	Weight	WLL ¹	Capacity
CA122-02000	2100mm	2580mm	1900mm	900mm	1676mm	860kg	4000kg	2000 litres
CA122-03000	2110mm	3110mm	1880mm	1345mm	2240mm	980kg	6000kg	3000 litres
CA122-04000	2550mm	3450mm	2265mm	1310mm	2250mm	1360kg	8000kg	4000 litres
CA138-06000	2830mm	-	2272mm	1436mm	2416mm	1800kg	12000kg	6000 litres

Original Working Instructions

Usage Instructions

CA108 Important Usage Notes

- When attaching to lifting equipment always ensure that the hook's gate is correctly closed and the lifting eye is seated correctly in the hook.
- Do not use the Muck Bin for carrying toxic or dangerous materials or chemicals or light fires in or around the skip.
- Do not overfill the skip by volume or weight, the load should be evenly placed.
- At no point during the operation of this skip should personnel be within the discharge zone.
- All of the lifting, tipping and manoeuvring must be carried out by a crane. Do not attempt to move the skip of the bale arm by hand.
- The Muck Bin is for lifting and transporting waste and materials only. Do not use to raise or transport personnel.

CA108 Automatic Locking Mechanism Instructions

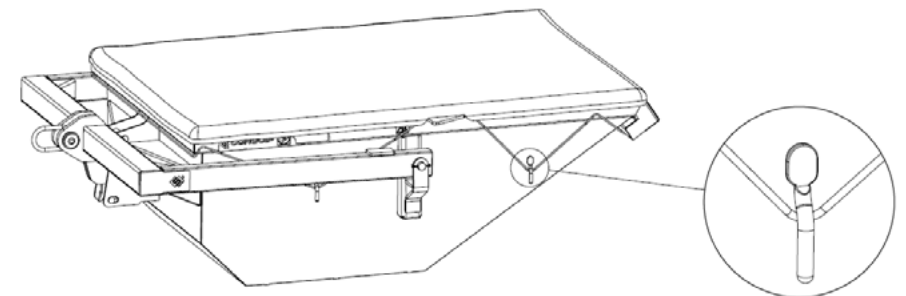
1. The CA108 self-discharging Muck Bin is fitted with a lock and release system. The lock is situated at the rear of the skip and engages with the catch fitted to the top of the lifting arm.
2. When the lifting arm is lowered fully, it will engage with the locking system. When next raised, the skip will rise and discharge its load.
3. When fully lowered a second time, the lifting arm will disengage from the locking system allowing the unit to be raised and manoeuvred to the loading bay.
4. If the lifting arm is out of sequence (locked when it should be unlocked) simply raise the lifting arm then lower to release the catch.

Original Working Instructions

Usage Instructions

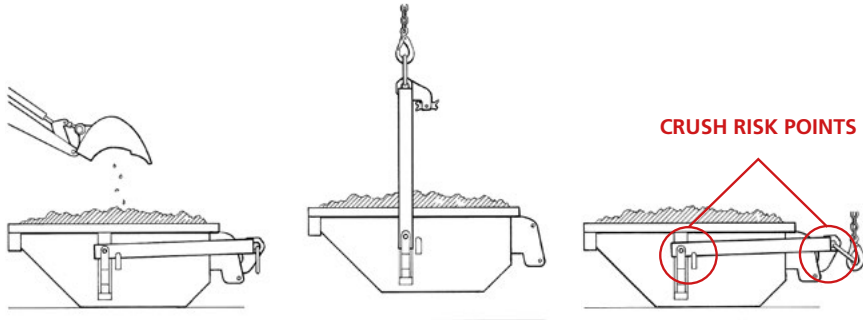
CA108 Loading, Moving and Emptying Instructions

1. Attach the lifting equipment's hook to the skip's bale arm lifting point, with the bale arm in the lowered position.
2. Carry out a test lift with the unit empty to ensure that both the slinger / signaller and the crane operator are familiar with the correct and safe operation of the Muck Bin and fully understand how the locking mechanism functions, the tipping action is carried out and the reactions of the skip to these actions.
3. Raise the crane to bring the lifting arm upright and lift the unit just off the ground.
4. Check that the skip is balanced correctly before lowering back to the ground. The Muck Bin is now ready for use.
5. Position the unit on firm level ground, which is able to bear the unit's weight and load. Lower the bale arm.
6. Evenly fill the skip, ensuring the load is no wider, longer or higher than the skips side walls.
7. Cover the load in the skip with a debris cover, by pulling the cover over the load and fasten on all four sides by hooking the rope around each of the welded hooks. It is recommended that the load is covered with a debris cover to safeguard against any of the load falling from the skip.



CA108 Loading, Moving and Emptying Instructions Continued

- Once loaded and ready, clear all personnel from the area, and raise the skip off the ground to check that the load is balanced and secure. The skip can now be craned to the discharge area.



- Ensure that no personnel are in the discharge area, lower the skip to the ground with the front facing the discharge area.

- Lower the lifting arm fully to allow the locking system to engage.

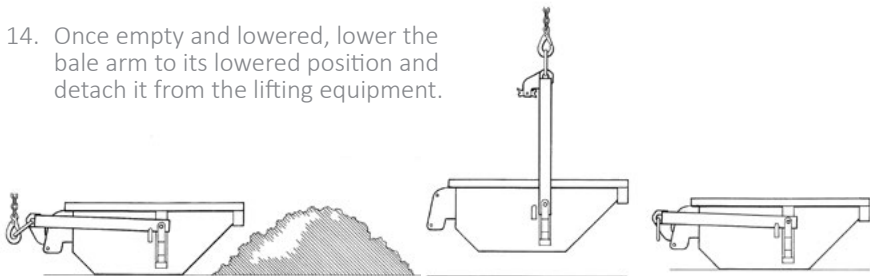
- Remove the debris cover.



- Once ready, raise the lifting hook to tip the skip and discharge the load.

- Having emptied the skip, lower it back to the ground to allow the lifting arm to disengage from the locking system before once again raising the skip and moving to the loading area.

- Once empty and lowered, lower the bale arm to its lowered position and detach it from the lifting equipment.



Original Working Instructions Usage Instructions

CA122/CA138 Important Usage Notes

- Bale arm is fitted with a safety chain (CA122) or a safety latch mechanism (CA138) to ensure it can be safely stored in an upright position.
- When attaching to lifting equipment always ensure that the hook's gate is correctly closed and the lifting eye is seated correctly in the hook.
- Do not use the Muck Bin for carrying toxic or dangerous materials or chemicals or light fires in or around the skip.
- Do not overfill the skip by volume or weight, the load should be evenly placed.
- At no point during the operation of this skip should personnel be within the discharge zone.
- All of the lifting, tipping and manoeuvring must be carried out by a crane. Do not attempt to move the skip or the bale arm by hand.
- The Muck Bin is for lifting and transporting waste and materials only. Do not use to raise or transport personnel.

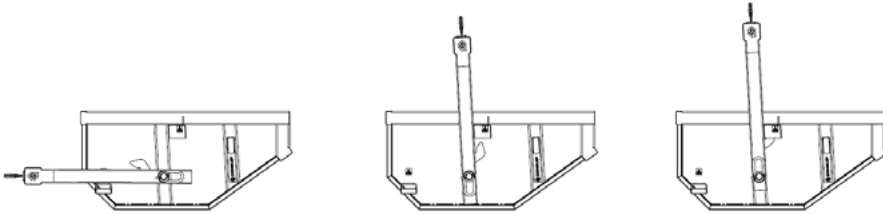
CA122/CA138 Automatic Locking Mechanism Instructions

- The CA122/CA138 self-discharging Muck Bin is fitted with a hook and catch locking and release system. The hooks are located on both sides of the bale arm and the catches are situated on both sides of the skip body.
- The hooks engage with the catches as the bale arm is lifted upward and towards the front of the skip and will remain in place until the skip is landed and the bale arm lowered.
- When the bale arm is lowered ensure the catch does not engage so that the centre of gravity ensures that the skip will then lift in the tipping position.

Original Working Instructions Usage Instructions

CA122/CA138 Loading, Moving and Emptying Instructions

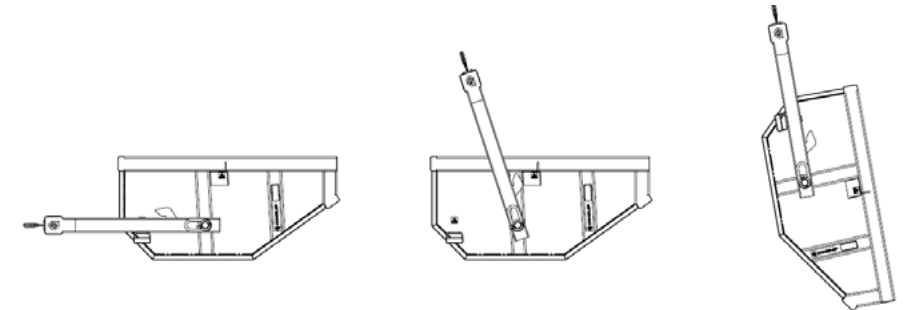
1. Attach the lifting equipment's hook to the skip's bale arm lifting point, with the bale arm in the lowered position.
2. Carry out a test lift with the unit empty to ensure that both the slinger / signaller and the crane operator are familiar with the correct and safe operation of the Muck Bin and fully understand how the locking mechanism functions, the tipping action is carried out and the reactions of the skip to these actions.
3. Raise the crane to bring the bale arm upright so the hooks engage with the catches.



4. Carefully raise the skip just off the ground.
5. Check that the skip is balanced correctly before lowering back to the ground. The Muck Bin is now ready for use.
6. Position the unit on firm level ground, which is able to bear the unit's weight and load. Lower the bale arm.
7. Evenly fill the skip, ensuring the load is no wider, longer or higher than the skip's side walls.
8. Cover the load in the skip with a debris cover, by pulling the cover over the load and fasten on all four sides by hooking the rope around each of the welded hooks. It is recommended that the load is covered with a debris cover to safeguard against any of the load falling from the skip.
9. Once loaded and ready, clear all personnel from the area, and raise the bale arm bringing the lifting eye towards the front of the skip.
10. The bale arm will hit the stops when it reaches the correct lifting position. Note the angle of the bale arm and the position of the pivot points.

CA122/CA138 Loading, Moving and Emptying Instructions Continued

11. Raise the bale arm carefully ensuring the angle of the bale arm is maintained, the hooks will lock into the catches, the skip is now ready to be lifted.
12. Raise the skip just enough to allow sufficient clearance from the ground to ensure the load is balanced and secure. The skip can now be crane lifted to the discharge area.
13. Ensure that no personnel are in the discharge area, lower the skip to the ground with the front facing the discharge area, note the position of the pivot points as the hooks slide down from the catches. Remove the debris cover.
14. Position the crane towards the rear of the skip and raise the bale arm carefully ensuring the hooks do not engage with the catches. As the bale arm is lifted, the skip will tip forward and begin to discharge.



15. Raise the lifting hook as necessary to empty the skip completely.
16. The skip can now be lowered to its resting position.
17. Once empty and lowered, lower the bale arm to its lowered position and detach it from the lifting equipment.

Original Working Instructions

Safety Instructions

Basic Safety

A site-specific Risk Assessment, and lift plan where applicable, must be completed by the responsible person before using this equipment to control risks, produce a safe system of work and ensure safety for you, your colleagues and others. Your risk assessment will determine the correct Personal Protective Equipment (PPE) for the task you are doing. You must use it. Conquip recommends that you should wear:

- Suitable clothing
- Gloves
- Hard hat
- Protective footwear (steel toecaps)
- Safety glasses



Important Safety Notes

- Read these instructions before using this equipment. If there is anything you do not understand or if you have any concerns do not use this equipment. Contact your supervisor or Conquip Engineering Group for advice.
- You must check that you have considered all the safety requirements for the task you are doing and that this equipment is suitable.
- You must protect bystanders and the general public by preventing access to the working area.
- Do not use this equipment if you are tired, unwell or under the influence of alcohol or drugs. If you are taking any medicine or undergoing treatment you should inform your supervisor.

Usage & Transportation

- Never unevenly load this equipment.
- The weight of the equipment, together with its attachments, must be added to the weight of the load when calculating the total load that will be imposed on the lifting apparatus / operating machine.
- This equipment must be used in conjunction with the load ratings of the lifting apparatus / operating machine. (Refer to the manufacturers' load ratings and original working instructions).
- Make sure you know how to use this equipment and understand all aspects of its operation in case of emergency.
- This equipment weighs more than 25kg. Do not lift or manhandle without machine assistance.
- Do not operate this equipment near overhead power lines.
- Take care in confined spaces, near ceilings or similar hazards. This equipment was designed for vertical lifting. Do not drag, or swing.
- Before operating this equipment, check that you have enough space for you to work safely and make sure that the working area is clear of hazards, obstructions and personnel.
- Before lowering equipment make sure that the landing zone is clear and capable of accepting the size and weight of the load.
- Crush Risk. Keep hands and feet clear of the equipment at all times to avoid injury.
- Do not exceed the maximum Working Load Limit (WLL) shown on the serial plate. Ensure that the WLL on the individual lift points is not exceeded.
- Before lifting, check that the load is secured, balanced and stable. Allow space for the equipment to move if the load shifts.

Personnel

- All personnel must wear relevant personal protective equipment.
- Do not wear loose clothing or jewellery and tie back long hair to avoid becoming tangled or trapped in this equipment. You must make everyone in the work area aware of what you are doing.
- All personnel involved in the lifting operation must be competent to do so and must have been briefed in conjunction with this User Guide available from Conquip Engineering Group, the manufacturer.

Equipment Maintenance & Cleaning

- It is mandatory that the equipment is thoroughly examined regularly, by a qualified engineer, to ensure compliance with relevant regulation/s. (Conquip recommend to carry out thorough examination every six months).
- This product may incorporate various loose and detachable items of lifting gear. Refer to the separate requirements for the safe use of those items.
- When not being used, store the unit in a clean, upright condition and in a safe place where it will be protected from thieves and unauthorised users.
- This equipment must be inspected by the responsible person before each use and then regularly, as determined by your risk assessment or working practice. If you have any concerns about condition or suitability do not use.

Disclaimer

Warranty

The products supplied by Conquip Engineering Group are all guaranteed by a 12 month warranty.

Apart from where exceptions apply, Conquip Engineering Group promises to repair or replace any fault which the Company considers to be due to defective material or workmanship within 12 months of the date of sale, at no additional cost.

- Faults arising from unauthorised alterations (see modifications section below for full details).
- Damage caused by abuse, neglect, misuse or falling.
- Damage caused because of failure to follow transportation, storage, loading, cleaning or operating instructions.
- Replacement or repair of components due to fair wear and tear.
- Any consequential damage or wear arising from the use or fitting of additional or non-standard parts.

Modifications

If any third-party modifications or alterations, involving drilling, welding, cutting or distortion of materials in any form, are to be carried out on the product, Conquip Engineering Group must provide full written approval prior to the work being carried out.

Alterations, modifications, additions or repairs must be carried out by Conquip Engineering Group's recognised distributors, if they are not carrying out the work themselves.

Conquip Engineering Group operate a continuous improvement policy and therefore reserve the right to alter technical specifications and user guide details at any point without notice.

Conquip Engineering Group will not cover or reimburse any transportation and/or shipment costs to and from their premises or their recognised agents, or any material and/or labour costs for repair, replacement or assessment against a warranty claim.

Conquip Engineering Group and/or their directors, employees, insurers or recognised agents will not be held liable for consequential damages, losses or expenses relating to the inability to use the product correctly for its purpose.

EC Declaration of Conformity

In accordance with EN ISO 17050-1:2004

Declaration: As defined by the Machinery Directive 2006/42/EC and subsequent amendments

We, CONQUIP ENGINEERING GROUP, herewith declare that the following indicated equipment meets the fundamental health and safety requirements concerning the EU guide line(s), due to their design and manufacture.

This declaration will be rendered null and void if the machine is changed without our approval.

Signed:



Dated: 2023

Garry Critchley, Managing Director

Product Code(s):

CA108-00500 / CA108-00750 / CA108-01000 / CA108-01500 / CA108-02000 / CA122-02000 / CA122-03000 / CA122-04000 / CA138-06000

EC Directive/ Regulation:

2006/42/EC,
Lifting Operations and Lifting Equipment Regulations 1998
Provision and Use of Work Equipment Regulations 1998

Harmonised Standards:

BS EN ISO 12100:2010
BS EN 13155

General Description/ Designation:

Muck Bin – CA108-00500 / CA108-00750 / CA108-01000 / CA108-01500 / CA108-02000 / CA122-02000 / CA122-03000 / CA122-04000 / CA138-06000

WLL:

CA108-00500 = 1000kg / CA108-00750 = 1500kg
CA108-01000 = 2000kg / CA108-01500 = 3000kg
CA108-02000 & CA122-02000 = 4000kg
CA122-03000 = 6000kg / CA122-04000 = 8000kg
CA138-06000 = 12000kg

Important Notes

- This User Guide is for this Conquip product only.
- Any movements of the product must be thoroughly planned before the work commences to identify potential hazards and assess risk.
- All personnel involved in lifting and transportation of this product must have read this User Guide and must be properly briefed.
- You must be competent, alert and medically fit when using this equipment. If you have a medical condition, a mental or physical disability, you must seek advice from a medical professional before using this equipment.

Talking to us is easy

We're here to help

Call us on (02) 8844 4590

Email us at sales@conquipgroup.com.au

www.conquipgroup.com.au