

User Guide

Stillage



Product Information

Overview

The Conquip Stillage is a frame for storage of materials. The stillage is available in a variety of sizes, is suitable for a wide range of material types and sizes, and can be stacked for maximum space utilisation on site.

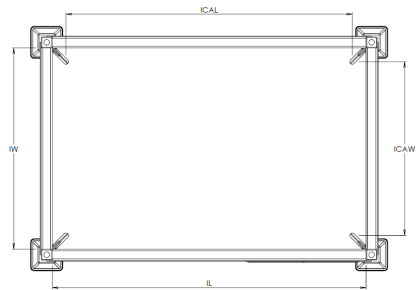
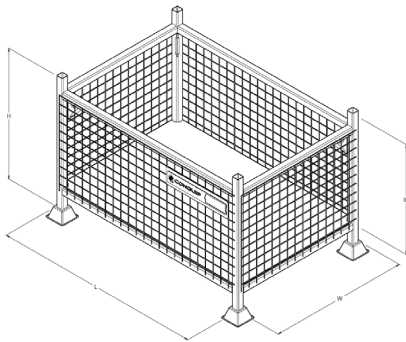
Key Benefits

- Solid base and available with either mesh or solid sides for keeping smaller items secure within the frame.
- Stackable design for maximum space utilisation.
- Complete with lifting points for ease of transporting the stillage around site or off a delivery vehicle.
- Working Load Limit of 1500kg.

Product Information

Specification

Item	Product Code
Stillage Mesh Sides 600	ST101AE-00600
Stillage Mesh Sides 720	ST101AE-00720
Stillage Mesh Sides 900	ST101AE-00900
Stillage Mesh Sides 1125	ST101AE-01125



¹Working Load Limit

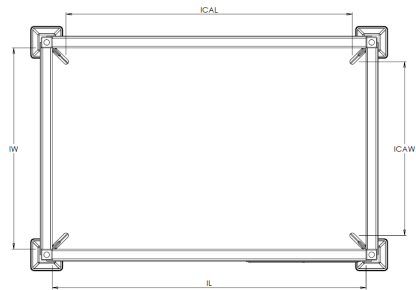
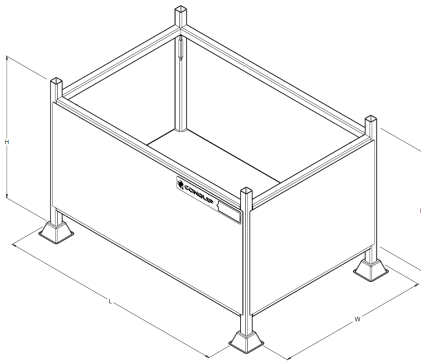
Product Code	Height (External)	Width (External)	Length (External)	Height (Internal)	Width (Internal)	Length (Internal)
ST101AE-00600	810mm	800mm	1000mm	630mm	720mm	920mm
ST101AE-00720	810mm	800mm	1200mm	630mm	720mm	1120mm
ST101AE-00900	810mm	800mm	1500mm	630mm	720mm	1420mm
ST101AE-01125	810mm	1000mm	1500mm	630mm	920mm	1420mm

Product Code	Width (Internal Clear Area)	Length (Internal Clear Area)	Weight	WLL ¹	Capacity
ST101AE-00600	600mm	800mm	65kg	1500kg	600 litres
ST101AE-00720	600mm	1000mm	70kg	1500kg	720 litres
ST101AE-00900	600mm	1300mm	85kg	1500kg	900 litres
ST101AE-01125	600mm	1300mm	95kg	1500kg	1125 litres

Product Information

Specification

Item	Product Code
Stillage Solid Sides 600	ST102AE-00600
Stillage Solid Sides 720	ST102AE-00720
Stillage Solid Sides 900	ST102AE-00900
Stillage Solid Sides 1125	ST102AE-01125



¹Working Load Limit

Product Code	Height (External)	Width (External)	Length (External)	Height (Internal)	Width (Internal)	Length (Internal)
ST102AE-00600	810mm	800mm	1000mm	630mm	720mm	920mm
ST102AE-00720	810mm	800mm	1200mm	630mm	720mm	1120mm
ST102AE-00900	810mm	800mm	1500mm	630mm	720mm	1420mm
ST102AE-01125	810mm	1000mm	1500mm	630mm	920mm	1420mm

Product Code	Width (Internal Clear Area)	Length (Internal Clear Area)	Weight	WLL ¹	Capacity
ST102AE-00600	600mm	800mm	100kg	1500kg	600 litres
ST102AE-00720	600mm	1000mm	110kg	1500kg	720 litres
ST102AE-00900	600mm	1300mm	125kg	1500kg	900 litres
ST102AE-01125	600mm	1300mm	140kg	1500kg	1125 litres

Original Working Instructions

Usage Instructions

Important Usage Notes

- Ensure that the ground is flat and free from obstacles, services or machinery before transporting the Stillage to its required position.
- The Stillage should not be lifted by any means other than the four lifting points.
- Do not allow personnel near the Stillage if you are using heavy machinery to load or unload from the stillage.

Usage Instructions

1. Attach a suitably rated four leg lifting chain to the crane or other suitable lifting apparatus.
2. Attach the chain to the four lifting points of the Stillage. Always ensure the hook's gate is correctly closed.
3. Carefully raise the Stillage off the ground. Do not allow hands or feet to come between the Stillage and the ground.
4. Carefully transport the Stillage to its required storage position on site.
5. When in position, lower to the ground and unattach from the lifting chain and lifting apparatus.
6. Load the Stillage with materials, as required. Stillages can be crane-lifted up to a working load limit of 1500kg.
7. Ensure the height, width and length of the material stays within the height of the stillage, especially if the Stillages are to be stacked.
8. Stillages can be stacked on top of each other, using a crane or other suitable lifting apparatus to manoeuvre them.

Original Working Instructions

Safety Instructions

Basic Safety

A site-specific Risk Assessment, and lift plan where applicable, must be completed by the responsible person before using this equipment to control risks, produce a safe system of work and ensure safety for you, your colleagues and others. Your risk assessment will determine the correct Personal Protective Equipment (PPE) for the task you are doing. You must use it. Conquip recommends that you should wear:

- Suitable clothing
- Gloves
- Hard hat
- Protective footwear (steel toecaps)
- Safety glasses



Important Safety Notes

- Read these instructions before using this equipment. If there is anything you do not understand or if you have any concerns do not use this equipment. Contact your supervisor or Conquip Engineering Group for advice.
- You must check that you have considered all the safety requirements for the task you are doing and that this equipment is suitable.
- You must protect bystanders and the general public by preventing access to the working area.
- Do not use this equipment if you are tired, unwell or under the influence of alcohol or drugs. If you are taking any medicine or undergoing treatment you should inform your supervisor.

Usage & Transportation

- Never unevenly load this equipment.
- The weight of the equipment, together with its attachments, must be added to the weight of the load when calculating the total load that will be imposed on the lifting apparatus / operating machine.
- This equipment must be used in conjunction with the load ratings of the lifting apparatus / operating machine. (Refer to the manufacturers' load ratings and original working instructions).
- Make sure you know how to use this equipment and understand all aspects of its operation in case of emergency.
- This equipment weighs more than 25kg. Do not lift or manhandle without machine assistance.
- Do not operate this equipment near overhead power lines.
- Take care in confined spaces, near ceilings or similar hazards. This equipment was designed for vertical lifting. Do not drag, or swing.
- Before operating this equipment, check that you have enough space for you to work safely and make sure that the working area is clear of hazards, obstructions and personnel.
- Before lowering equipment make sure that the landing zone is clear and capable of accepting the size and weight of the load.
- Crush Risk. Keep hands and feet clear of the equipment at all times to avoid injury.
- Do not exceed the maximum Working Load Limit (WLL) shown on the serial plate. Ensure that the WLL on the individual lift points is not exceeded.

Personnel

- All personnel must wear relevant personal protective equipment.
- Do not wear loose clothing or jewellery and tie back long hair to avoid becoming tangled or trapped in this equipment. You must make everyone in the work area aware of what you are doing.
- All personnel involved in the lifting operation must be competent to do so and must have been briefed in conjunction with this User Guide available from Conquip Engineering Group, the manufacturer.

Equipment Maintenance & Cleaning

- It is mandatory that the equipment is thoroughly examined regularly, by a qualified engineer, to ensure compliance with relevant regulation/s. (Conquip recommend to carry out thorough examination every six months).
- This product may incorporate various loose and detachable items of lifting gear. Refer to the separate requirements for the safe use of those items.
- When not being used, store the unit in a clean, upright condition and in a safe place where it will be protected from thieves and unauthorised users.
- This equipment must be inspected by the responsible person before each use and then regularly, as determined by your risk assessment or working practice. If you have any concerns about condition or suitability do not use.

Disclaimer

Warranty

The products supplied by Conquip Engineering Group are all guaranteed by a 12 month warranty.

Apart from where exceptions apply, Conquip Engineering Group promises to repair or replace any fault which the Company considers to be due to defective material or workmanship within 12 months of the date of sale, at no additional cost.

- Faults arising from unauthorised alterations (see modifications section below for full details).
- Damage caused by abuse, neglect, misuse or falling.
- Damage caused because of failure to follow transportation, storage, loading, cleaning or operating instructions.
- Replacement or repair of components due to fair wear and tear.
- Any consequential damage or wear arising from the use or fitting of additional or non-standard parts.

Modifications

If any third-party modifications or alterations, involving drilling, welding, cutting or distortion of materials in any form, are to be carried out on the product, Conquip Engineering Group must provide full written approval prior to the work being carried out.

Alterations, modifications, additions or repairs must be carried out by Conquip Engineering Group's recognised distributors, if they are not carrying out the work themselves.

Conquip Engineering Group operate a continuous improvement policy and therefore reserve the right to alter technical specifications and user guide details at any point without notice.

Conquip Engineering Group will not cover or reimburse any transportation and/or shipment costs to and from their premises or their recognised agents, or any material and/or labour costs for repair, replacement or assessment against a warranty claim.

Conquip Engineering Group and/or their directors, employees, insurers or recognised agents will not be held liable for consequential damages, losses or expenses relating to the inability to use the product correctly for its purpose.

EC Declaration of Conformity

In accordance with EN ISO 17050-1:2004

Declaration: As defined by the Machinery Directive 2006/42/EC and subsequent amendments

We, CONQUIP ENGINEERING GROUP, herewith declare that the following indicated equipment meets the fundamental health and safety requirements concerning the EU guide line(s), due to their design and manufacture.

This declaration will be rendered null and void if the machine is changed without our approval.

Signed:



Dated: 2023

Garry Critchley, Managing Director

Product Code(s):

ST101AE-00600 / ST101AE-00720 / ST101AE-00900 / ST101AE-01125 / ST102AE-00600 / ST102AE-00720 / ST102AE-00900 / ST102AE-01125

EC Directive/ Regulation:

2006/42/EC,
Lifting Operations and Lifting Equipment Regulations 1998
Provision and Use of Work Equipment Regulations 1998

Harmonised Standards:

BS EN ISO 12100:2010

General Description/ Designation:

Stillage – ST101AE-00600 / ST101AE-00720 / ST101AE-00900 / ST101AE-01125 / ST102AE-00600 / ST102AE-00720 / ST102AE-00900 / ST102AE-01125

WLL:

ST101AE-00600 / ST101AE-00720 / ST101AE-00900 / ST101AE-01125 / ST102AE-00600 / ST102AE-00720 / ST102AE-00900 / ST102AE-01125
= N/A

Important Notes

- This User Guide is for this Conquip product only.
- Any movements of the product must be thoroughly planned before the work commences to identify potential hazards and assess risk.
- All personnel involved in lifting and transportation of this product must have read this User Guide and must be properly briefed.
- You must be competent, alert and medically fit when using this equipment. If you have a medical condition, a mental or physical disability, you must seek advice from a medical professional before using this equipment.

Talking to us is easy

We're here to help

Call us on (02) 8844 4590

Email us at sales@conquipgroup.com.au

www.conquipgroup.com.au