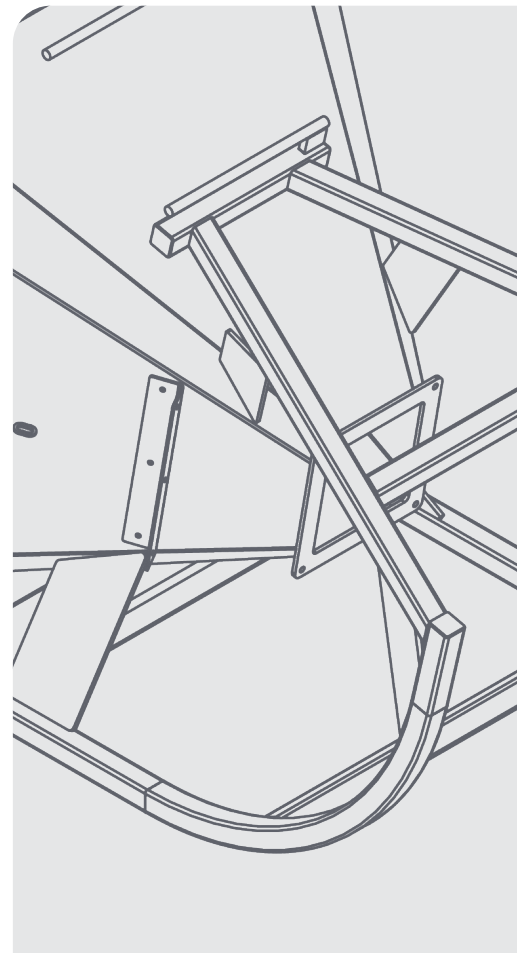


USER GUIDE

CONCRETE KIBBLE WITH BALE ARM



DISCLAIMER

Do not attempt to handle or operate this equipment before you have received sufficient training. Before use, operatives must have carried out all checks featured on the Visual Inspection Sheets on pages 29-31. It is imperative that you have read the General Safety Instructions on page 32 and sufficiently familiarised yourself with the Operational Procedures

Note that this item is compliant only to the standards specified in this User Guide and it is therefore the duty of the responsible person(s) to review and ensure compliance.

CONTENTS

PRODUCT INFORMATION

INTRODUCTION	04
SPECIFICATION: KIBBLE	06
SPECIFICATION: OPTIONAL EXTRAS	08

OPERATIONAL PROCEDURES

IMPORTANT USAGE NOTES	16
SET-UP: EXTENDED FLOW GATE HANDLE	16
SET-UP: BAUER CONNECTION	17
SET-UP: HOSE GUIDE	17
PREPARING THE KIBBLE FOR USE	17
USAGE INSTRUCTIONS	18
USING THE HOSE GUIDE	19
REPLACING THE HOSE	20
CLEARING CONCRETE PUMP LINES	22
CLEANING INSTRUCTIONS	23
STORAGE & TRANSPORT	26

MAINTENANCE & INSPECTION

MAINTENANCE REGIME	28
VISUAL INSPECTION SHEETS	29

GENERAL SAFETY INSTRUCTIONS

GENERAL NOTES	32
---------------	----

LEGAL

TERMS AND CONDITIONS	34
EC DECLARATION OF CONFORMITY	38
STANDARDS AND REGULATIONS APPLICABLE	39

INTRODUCTION

OVERVIEW

Conquip's Concrete Kibble With Bale Arm, sometimes known as a tremie kibble, is a versatile, all-purpose kibble for pouring concrete. Ideal for pouring columns, it can also be used for walls, narrow formwork and pipe laying work.

The Concrete Kibble With Bale Arm is available in a range of sizes with capacities from 500 litres to 2000 litres. It can be customised to suit your specific requirements, ensuring there is a solution for every project, regardless of crane capacity or the amount of concrete required.

Customisable to suit site-specific requirements, our range of optional extras improves the safety of personnel and provides greater efficiency on-site, ensuring there is a solution for every project, regardless of crane capacity and the amount of concrete required.

With decades of experience in the design, manufacture and support for improving the usage of construction equipment throughout the UK and EU, in 2023 and 2024 we have pro-actively worked with a large Tier 1 contractors to design, manufacture and test a set of accessories to improve the standard of concrete/tremie kibles in order to:

- Remove the last lifting operation in the industry where a person needs to stand below a suspended load to operate the equipment.
- Aid the more accurate, directional pour of concrete, and improve the operation by removing all personnel from underneath the kibble.



KEY BENEFITS

HIGHLY DURABLE DESIGN

Manufactured from high-quality steel to withstand wear and tear from regular use on construction sites.

STRONG SPRING RETRACTOR

Ensures rapid, automatic closing of the flow gate when pouring is complete. Compatible with the Remote-Controlled Gate Attachment optional extra.

CURVED ROLL FRAME

Provides a smooth transition from the horizontal fill position to the vertical lift position, massively reducing the swing when the kibble is raised off the ground.

EASY TO FILL, EASY TO USE

Designed to lie horizontally on the ground to assist filling from the concrete truck; when lifted, the kibble uses the chains to return to its vertical position.

REINFORCED RUBBER DISCHARGE HOSE

Solid structure prevents rips and tears, ensuring a longer lifecycle. 3-metre length of hose provided as standard, longer lengths up to 6 metres available on request.

BEST-IN-CLASS CONCRETE POURING SOLUTION

Improved safety and efficiency guaranteed with our range of accessories that accommodate concrete blowout, longer hose lengths, flow control and hose positioning.

OPTIONAL EXTRAS

01/ EXTENDED FLOW GATE HANDLE

Improves the safety of concrete pours by removing the need for the operative to be positioned underneath the kibble when they are operating the flow gate.

02/ BAUER CONNECTION

Provides a secure, quick-release solution for attaching different lengths of hose to the kibble, safely and efficiently, rather than refitting the hose and replacing the hose clip every time.

03/ HOSE GUIDE & INSERT

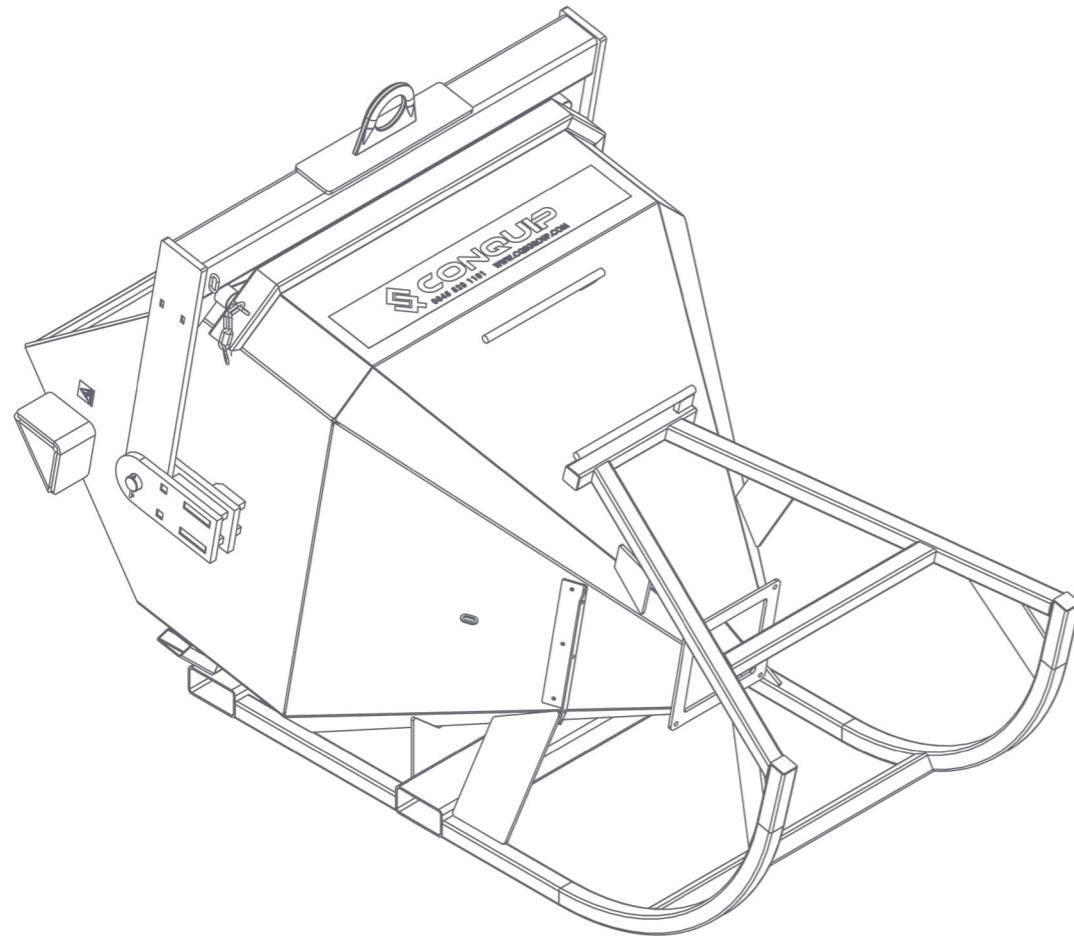
A two-person accessory that attaches to the hose via an insert, enabling operatives to position the hose at arm's length. This not only aids more accurate, directional pouring, it improves operational safety by removing personnel from underneath a suspended load.

04/ BLOWOUT ATTACHMENT & COVER

Provides solution to facilitate the safe blowout of concrete pump lines. Reduces waste material and prevents environmental contamination from excess concrete left in the lines after use.

SPECIFICATION

THE RANGE

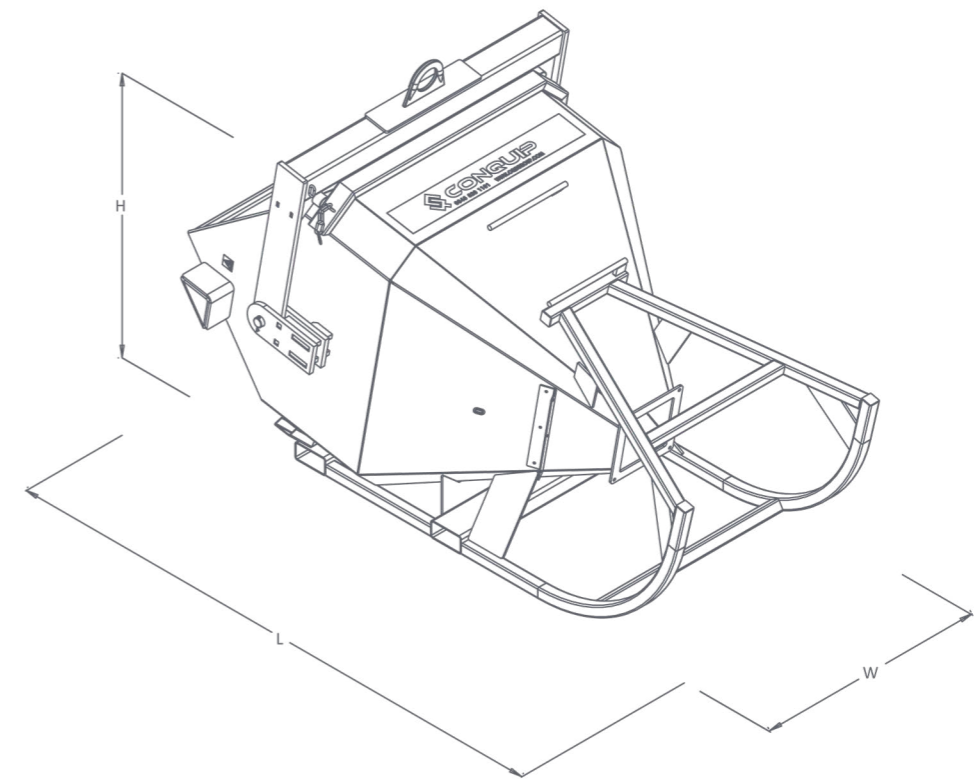


CODE	TYPE	WEIGHT (kg)	WLL* (kg)	CAPACITY (litres)
CS210-00500	Concrete Kibble With Bale Arm 500	340	1500	500
CS210-00750	Concrete Kibble With Bale Arm 750	400	2250	750
CS210-01000	Concrete Kibble With Bale Arm 1000	410	3000	1000
CS210-01500	Concrete Kibble With Bale Arm 1500	650	4500	1500
CS210-02000	Concrete Kibble With Bale Arm 2000	660	6000	2000

*Working Load Limit

SPECIFICATION

ITEM	PRODUCT CODE
Concrete Kibble With Bale Arm 500	CS210-00500
Concrete Kibble With Bale Arm 750	CS210-00750
Concrete Kibble With Bale Arm 1000	CS210-01000
Concrete Kibble With Bale Arm 1500	CS210-01500
Concrete Kibble With Bale Arm 2000	CS210-02000



LENGTH (mm)	WIDTH (mm)	HEIGHT (mm)	HWB* (mm)
1920	1370	1200	1570
2080	1520	1340	1740
2190	1520	1350	1760
2440	1780	1620	2110
2720	1780	1670	2150

*HWB = Height With Bale

SPECIFICATION

OPTIONAL EXTRAS RANGE

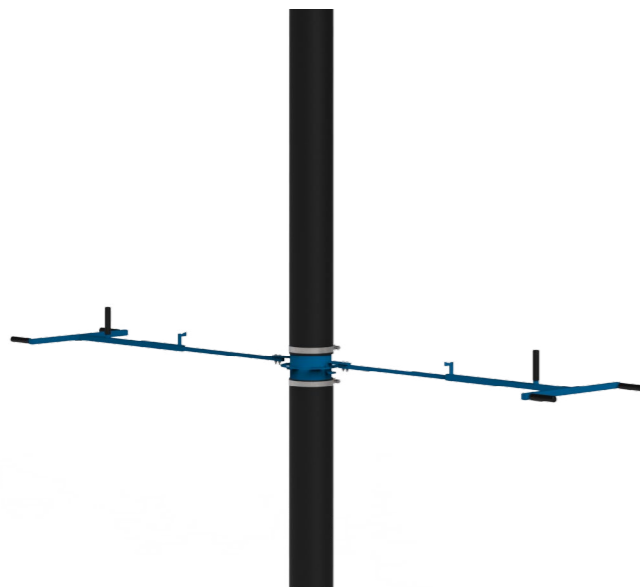
01/ EXTENDED FLOW GATE HANDLE



02/ BAUER CONNECTION



03/ HOSE GUIDE & INSERT



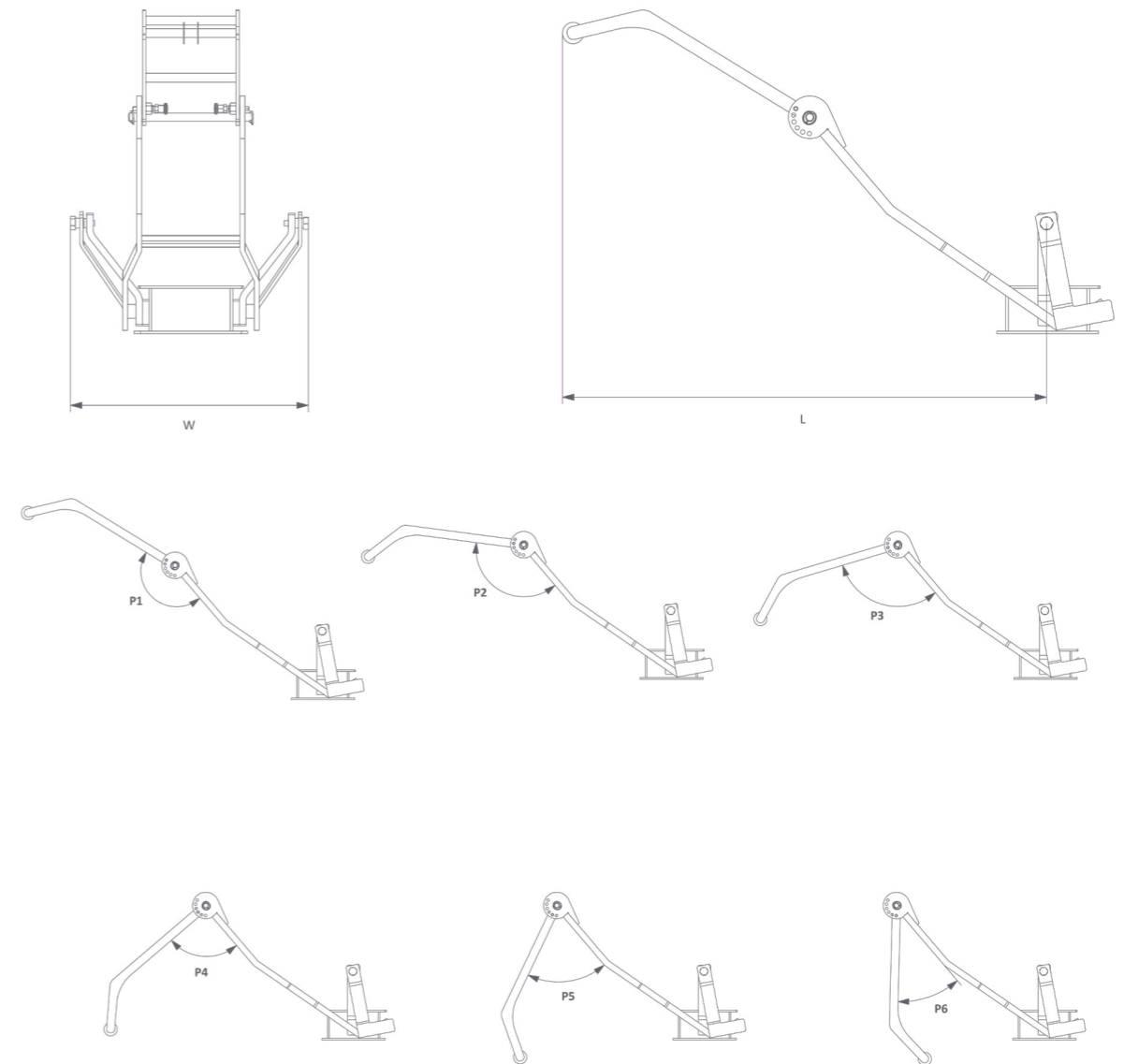
04/ BLOWOUT ATTACHMENT & COVER



SPECIFICATION

OPTIONAL EXTRA 01

ITEM	PRODUCT CODE
Extended Flow Gate Handle	ZZ120389



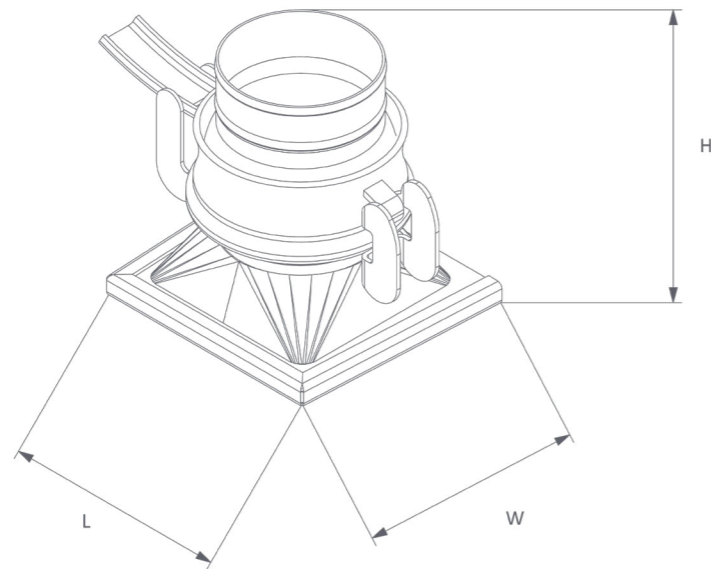
LENGTH* (mm)	WIDTH (mm)	P1 (degrees)	P2 (degrees)	P3 (degrees)	P4 (degrees)	P5 (degrees)	P6 (degrees)
1478	726	162	138	114	90	66	42

*These images show the full gate and handle assembly. Length is measured from the centre of a 2000-litre kibble and with the handle fully extended.

SPECIFICATION

OPTIONAL EXTRA 02

ITEM	PRODUCT CODE
Bauer Connection	ZZ120390

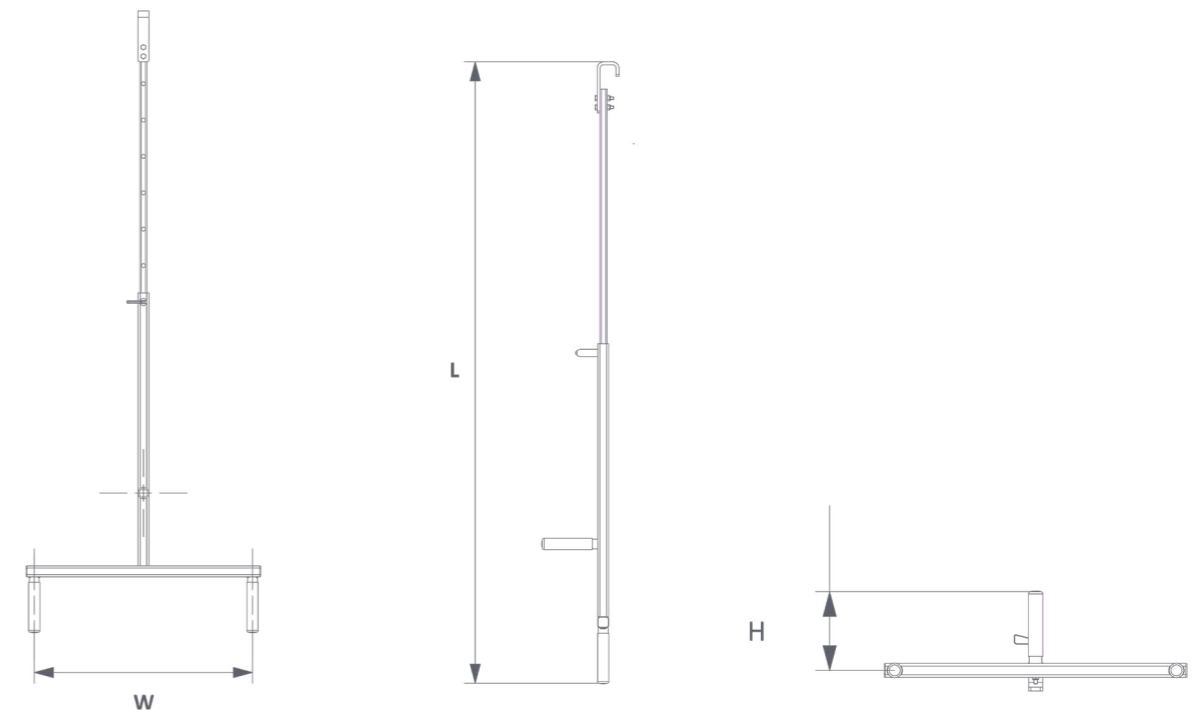


LENGTH (mm)	WIDTH (mm)	HEIGHT (mm)	WEIGHT (kg)
356	315	340	21

SPECIFICATION

OPTIONAL EXTRA 03

ITEM	PRODUCT CODE
Hose Guide	ZZ120383



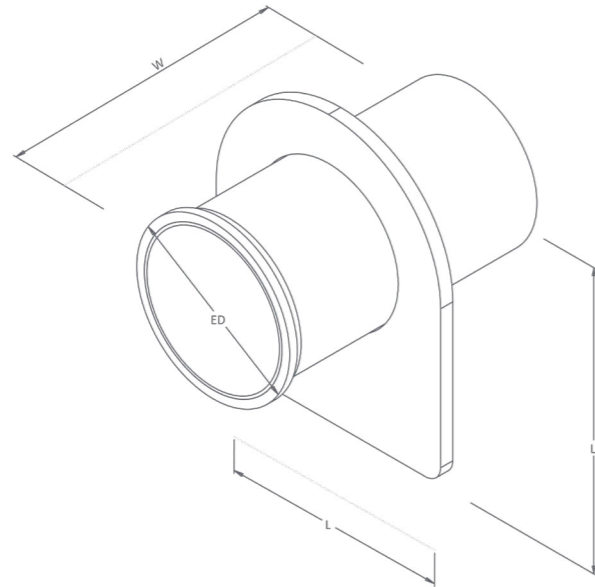
LENGTH (mm)	EXTENDED LENGTH (mm)	WIDTH (mm)	HEIGHT (mm)
1108	1708	645	184

The Hose Guide is comprised of two halves with the same specification. The data in this table details one half of the Hose Guide.

SPECIFICATION

OPTIONAL EXTRA 04

ITEM	PRODUCT CODE
Concrete Kibble Blowout Attachment	ZZ120206

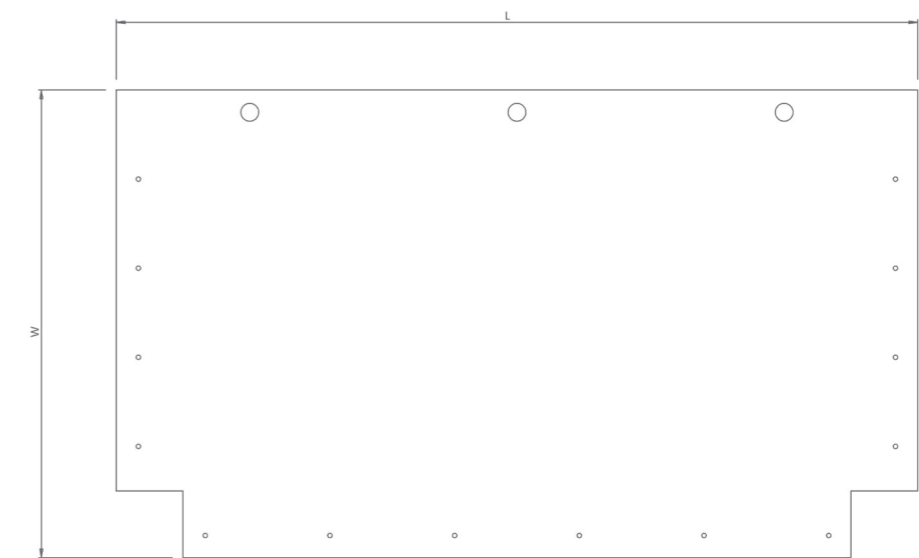


LENGTH (mm)	WIDTH (mm)	HEIGHT (mm)	EXTERNAL DIAMETER (mm)
220	250	260	148

SPECIFICATION

OPTIONAL EXTRA 04

ITEM	PRODUCT CODE
Concrete Kibble Cover (1000-litre kibble)	NE402-01000
Concrete Kibble Cover (2000-litre kibble)	NE402-02000
Concrete Kibble Cover (3000-litre kibble)	NE402-03000
Concrete Kibble Cover (4000-litre kibble)	NE402-04000



LENGTH (mm)	WIDTH (mm)	HEIGHT (mm)
1400	900	N/A
1800	1050	N/A
2100	1200	N/A
1800	1100	N/A

ALWAYS UP FOR THE CHALLENGE

Our team of Application Engineers love finding solutions to the biggest challenges the industry faces today, not least the safety of personnel on-site.

Pouring concrete from a kibble, predominantly column or tremie kibles, is one of the last lifting operations in construction where personnel are positioned underneath a suspended load to operate the equipment. This endangers the safety of the operatives during every pour.

Recognising these hazards, Conquip collaborated closely with Select Plant Hire, part of the Laing O'Rourke Group, to innovate safer solutions for concrete pouring. As a result, Conquip developed a range of optional extras to combat the dangers involved with the current, traditional method for concrete pouring.

The journey began in mid 2023, by developing a solution for safely using longer discharge hoses, up to 6 metres in length. The additional distance from the kibble to the end of the hose increases the pressure on the hose clip and the flow speed of the concrete, presenting issues with the hose detaching from the kibble and controlling the direction of pour.

The Bauer Connection provides a secure, quick-release solution for attaching different lengths of hose to the kibble, safely and efficiently, rather than refitting the hose and replacing the hose clip every time. Its slide-on, slide-off functionality makes it simple to attach and detach varying lengths of hose with minimal downtime and improved safety.

The next challenge was controlling a hose double the length of a standard 3-metre discharge hose. Conquip listened to feedback from Balfour Beatty and the Select site teams, who were utilising the equipment through Expanded, to develop the Hose Guide, a two-person accessory with hooked ends that can support the hose and guide it without personnel being stood under the kibble. Adjustable handles allow the Hose Guide to be extended for varying site conditions to ensure operatives are not stood below the kibble during a pour.

Finally, we wanted to remove the need for operatives to stand underneath the kibble to operate the flow gate. Our engineers developed the Extended Flow Gate Handle, providing the same functionality as a standard flow gate but moving operatives further away from the kibble during the pour.

These innovations, made possible through collaboration with leading industry partners like Select Plant Hire, not only improve safety but also enhance operational efficiency on-site. Our range of optional extras reflects our commitment to protecting operatives and streamlining concrete pouring processes.



OPERATIONAL PROCEDURES



IMPORTANT USAGE NOTES

- The bale arm must be secured against dropping / swinging down whenever the unit is not in use. This includes during transportation to and from site and when loading and unloading from any vehicle.
- The safety restraint chain should be attached when the unit is on its back and the bale arm is raised by the attached lifting equipment.
- Control/tag lines should be used for manoeuvring the kibble into position.
- The lifting equipment's hook must be attached to the kibble's bale arm lifting point.
- To use the Extended Flow Gate Handle and Hose Guide, the hose must be fitted with the hose insert to ensure that no personnel are positioned underneath the kibble during a pour.
- Do not empty the kibble all at once as the weight of the concrete may cause the hose to detach. Empty the unit in short bursts for more control and to aid concrete compaction.

SET UP

EXTENDED FLOW GATE HANDLE

01. The Extended Flow Gate Handle is operated in the same way as a standard flow gate handle.
02. However, it can be adjusted to ensure the operative is not stood directly underneath the kibble during a pour, or to avoid it snagging if the kibble is being lowered into an excavation.
03. Adjust the handle to the correct position by pulling both spring latches out, changing the angle of the handle to suit, and then releasing the latches to lock the handle in position.
04. Before the kibble is used and when it is empty, check the handle is fully operational by pulling the rope a few times.
05. If the operation of the gate is not satisfactory, i.e. if it is too loose or tight, adjust the gate tension spring accordingly.
06. The Extended Flow Gate Handle is now ready for use.

BAUER CONNECTION

01. To couple the connections, place the male Bauer into the female Bauer and secure with the lever closure ring.
02. Insert the secondary pin into the lever to prevent accidental release.
03. To swap for a longer length of hose, remove the secondary pin, release the lever closure ring and remove the Bauer Connection and hose from the kibble.

04. Take the replacement Bauer Connection and longer hose and follow steps 01 and 02 to attach them.
05. The hose clips are pre-torqued to the correct tension for a safe pour every time. DO NOT tamper with them.
06. The Bauer Connection is ready to use.

HOSE GUIDE

01. Adjust the Hose Guide to suit your site-specific application, ensuring each side is long enough to prevent any operatives being positioned underneath the kibble during a pour.
02. To adjust, pull the spring latch out and slide the handle away from the hook, extending it to the desired length.
03. Release the spring latch to lock the handle in position.
04. Repeat for the other side.

FULLY EXTENDED



PREPARING THE KIBBLE FOR USE

01. Carry out all pre-use checks on the kibble as per the Visual Inspection Sheet on page 25.
02. Land the kibble on level ground, resting upon the roll frames and attach the lifting chains to the crane hook via a master link.
03. Check that the kibble's flow gate is fully closed and that the gate control spring is correctly connected and in good condition. The spring tension may alter during prolonged use and can be adjusted, if required.
04. To adjust the spring tension, turn the adjuster nut clockwise to increase tension and anticlockwise to reduce.
05. Check that the hose is in good condition and correctly positioned and secured to the outlet. An incorrectly positioned or secured hose may separate during a pour.
06. Raise the hose and loop it over the two hose hooks to keep it clear of the ground during filling and lifting.
07. The kibble is now ready to be filled with concrete.

USAGE INSTRUCTIONS

FILLING AND POURING

01. Before loading the kibble, it must be positioned on its back with the flow gate closed.
02. Fill the kibble with concrete until the kibble is full and the load is level. The kibble can now be raised and moved to where it's required.
03. To aid manoeuvring, attach tag lines to the kibble. You can now carefully raise the kibble just off the ground and check for balance and security.
04. If all is OK, proceed to move the kibble to its required position. Move slowly and carefully; do not jolt the load.
05. When in position, lower the kibble until suspended above the discharge point.
06. Unhook the discharge hose.
07. To pour the concrete, slowly pull down on the gate control rope until the gate opens sufficiently to allow the concrete to flow at the required rate. Do not fully open the gate or tie it open. You can stop the flow at any time by raising the gate control rope.
08. When discharge is complete, release the gate control rope, then loop the hose over the two hose hooks.
09. With the kibble free of any load, lower it to the ground. If the kibble is no longer required, detach the lifting chains from the crane hook/lifting device.
10. Open the gate and remove all remaining concrete from inside and outside, by hosing down with clean water, before it sets (see cleaning instructions).

USING THE HOSE GUIDE

Before using the Hose Guide attachment, it is important to consider the points below:

- The Hose Guide, comprised of two separate frame sections, is designed for two-person use with one operative positioned either side of the hose, guiding it simultaneously.
- Grab handles are provided on top of each frame section for better grip and ease of use during pours.
- The attachment can be adjusted in 100mm increments to suit the size or width of the kibble on-site and prevent operatives from being positioned below the suspended load.
- If there is not enough space to safely use the Hose Guide to position the hose, tag lines can be attached to the hose insert as an alternative to prevent any personnel being stood underneath the suspended kibble.

Usage Instructions

01. Adjust the length of the handle to suit the width of the kibble using the spring latches.
02. Pull the handles apart until the desired width is set and then make sure the spring latch has relocated in the correct hole.

03. With the kibble suspended in the upright position and the hose vertical, connect the hooks at the end of the Hose Guide to the hose insert in the discharge hose.
04. Align the hose to where it needs to discharge, taking care not to stand under the suspended kibble.
05. Use one operative to work the Concrete Kibble flow gate and two operatives, one either side of the hose, to guide the discharge hose during the pour.
06. When the kibble is empty, remove the Hose Guide from the hose insert and lift the Concrete Kibble away to be refilled.

REPLACING THE HOSE

IMPORTANT USAGE NOTES

- Changing the hose should only be carried out by a trained competent person.
- Only use parts and spares provided by Conquip.
- Never fit a hose longer than 3 metres with a single hose clip.
- Never re-use an old hose clip, always refit hoses with new hose clips.

USAGE INSTRUCTIONS

SINGLE CLAMP HOPPER – UP TO 3 METRE HOSE LENGTHS

01. Remove the hose and hose clip from the hopper.
02. Inspect the replacement hose for rips or tears and check the length does not exceed 3 metres.
03. Loosen the nut on the new hose clip until it is at the end of the bolt's thread.
04. Insert the hose through the hose clip.
05. Fit the hose over the tube of the hopper, so the top edge of the hose makes contact with the bottom edge of the hopper body.
06. Slide the hose clip up over the ridge of the hopper tube. Once satisfied the hose clip is in the correct position, the clip can be tightened.
07. To tighten the hose clip, use a 17mm deep socket fitted to a torque wrench. Torque the nut to 38-40 Nm. Conquip recommends torquing to 40 Nm.
08. Check the hose is secure before use.

DOUBLE CLAMP HOPPER – UP TO 6 METRE HOSE LENGTHS *

01. Remove the hose and hose clip(s) from the hopper.
02. Inspect the replacement hose for rips or tears and check the length does not exceed 6 metres.
03. Loosen the nuts on the new hose clips until they are at the end of the bolt's thread.
04. Insert the hose through both hose clips.
05. Fit the hose over the tube of the double clamp hopper, so the top edge of the hose makes contact with the bottom edge of the hopper body.
06. Slide the first hose clip up over both ridges of the hopper tube, so it sits above the top ridge. Once satisfied the first hose clip is in the correct position, it can be tightened.
07. To tighten the hose clip, use a 17mm deep socket fitted to a torque wrench. Torque the nut to 38-40 Nm. Conquip recommends torquing to 40 Nm.

08. Slide the second hose clip up until it is positioned above the bottom ridge. Once you are satisfied the hose clip is in the correct position, it can be torqued using the same 17mm deep socket, to 38-40 Nm. Conquip recommend torquing to 40 Nm.
09. Check the hose is secure before use.

If you are refitting any hose lengths longer than 3 metres (up to 6 metres), shear nuts must be used on the hose clips to guarantee the correct torque setting has been achieved. Shear nuts also ensure that the hose clips are not tampered with after they have been fitted.

AFTER USE

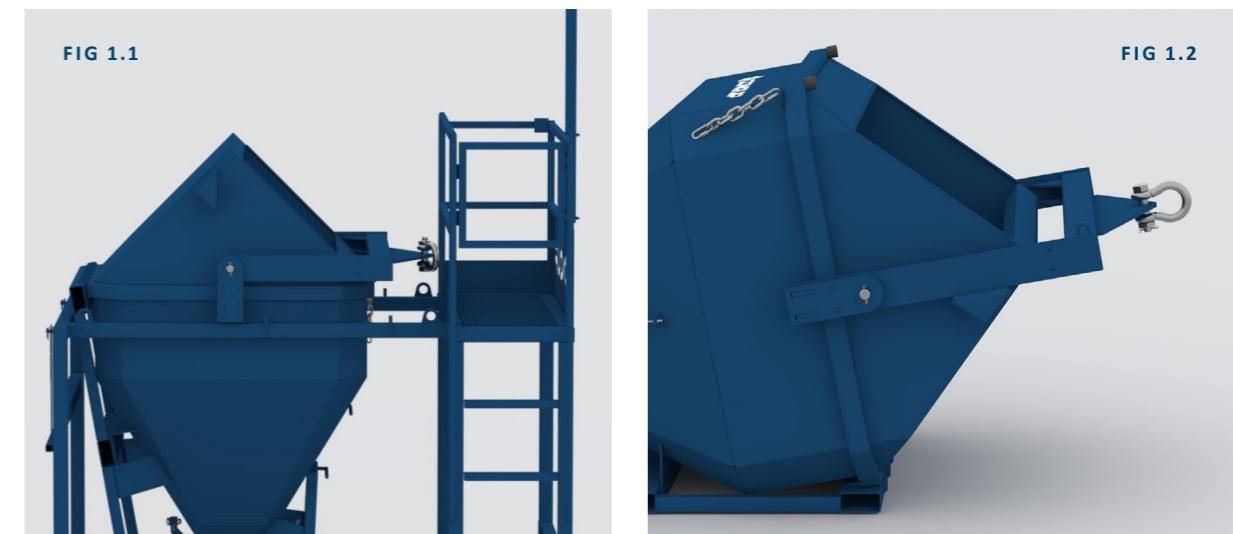
USING THE BLOWOUT ATTACHMENT

CLEARING CONCRETE PUMP LINES

01. Fit the kibble cover over the 'mouth' of the column kibble; the hole in the cover must line up and fit over the blowout attachment. Ensure that the tube from the blowout attachment can protrude through the cover.
02. Make sure the elasticated cord is tightly secured to the hooks on all sides of the kibble. This is done by stretching the cord down under the hook. As you let go, the cord should tension.
03. Clamp the concrete pump placing boom to the concrete blowout attachment.
04. Following the safe usage instructions for the pump, blow the concrete pump line through and discharge the remaining concrete waste into the kibble.
05. Disconnect the placing boom, take off the cover and remove the bung ('pig') from the kibble before using the concrete.
06. Crane lift the kibble onto a kibble washing platform, refit the concrete kibble cover and reattach the concrete pump placing boom.
07. Clean the concrete pump line with water, or use the best practice method suggested by the concrete pump manufacturer.
08. When cleaning of the pump line is complete, the cover can be removed and the kibble and the blowout attachment must be cleaned.

CLEANING THE CONCRETE KIBBLE WITH BALE ARM

01. Conquip recommend leaving the bale arm in the resting/safe position to avoid risk of injury, whether you are using the kibble with a designated wash platform (Fig 1.1) or not. (Fig 1.2)



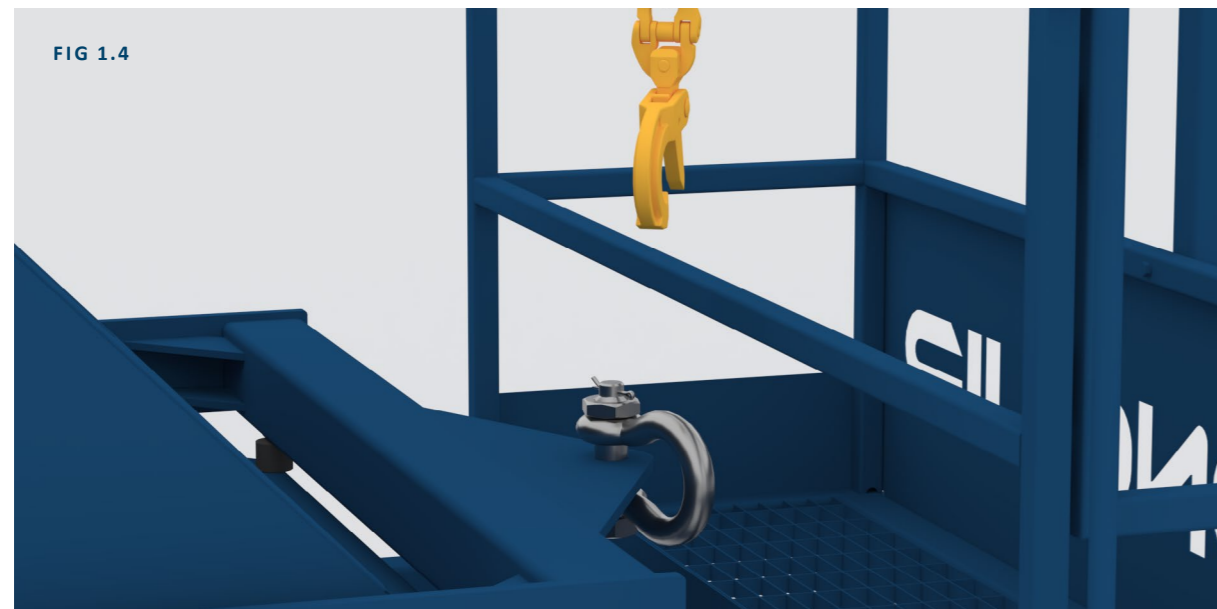
RESTING POSITION
(PLATFORM)

RESTING POSITION
(NO PLATFORM)

02. The kibble must be cleaned of all remaining concrete at the end of each work session, or more frequently if required. There can be no excuse for the unit to fail because of hard concrete residue.
03. Thorough cleaning can be achieved if the gate control spring is disconnected. This will allow you to open the gate fully for hosing down. Always take extreme caution when releasing the gate control. Do not tie the gate control lever in the open position.
04. Once thoroughly cleaned, the spring must be re-fitted to keep the gate closed. If you do not, concrete residue may set in the gate blade channels that will foul its operation.
05. Use a jet washer or wash hose to remove the concrete from the kibble.
06. Dispose of the concrete wastewater in line with your site's environmental regulations.

CLEANING WITH A KIBBLE WASHING PLATFORM

01. Make sure the kibble washing platform is on level ground.
02. Operatives should not be stood on the work platform when the kibble is being crane lifted into position.
03. The bale arm MUST be in the resting position BEFORE the crane hook (Fig 1.3) is detached.
04. Detach the crane hook (Fig 1.4) from the safety bow shackle.



CLEANING WITHOUT A KIBBLE WASHING PLATFORM

01. Lower the kibble and use the roll frame to lay it horizontally on the ground.
02. The bale arm should still be attached to the crane hook (Fig 1.6) in the upright position.
03. Slowly lower the bale arm from the upright position (Fig 1.7) to the resting position.
04. The crane hook should only be detached (Fig 1.8) once the bale arm is in the resting position.
05. Use a jet washer or wash hose to remove the concrete from the kibble.
06. Dispose of the concrete wastewater in line with your site's environmental regulations.



STORAGE & TRANSPORT

01. For storage or transportation, the bale arm should be in the upright position, with the safety restraint chain attached (Fig 2.1) correctly and secure.



02. The kibble can be stored on a kibble washing platform (Fig 2.2) as long as the bale arm is left in the resting position.



MAINTENANCE & INSPECTION

MAINTENANCE REGIME

- It is mandatory that the machinery equipment is thoroughly examined regularly, by a qualified engineer, to ensure compliance with relevant regulations. Conquip recommend carrying out a thorough examination every six months.
- This machinery may incorporate various loose and detachable items including, but not limited to pins, bolt assemblies and adaption plates. Refer to the separate requirements for the safe use of those items.
- When not being used, store the unit in a clean, upright condition and in a safe place where it will be protected from thieves and unauthorised users.
- This machinery must be inspected by the responsible person before each use and then regularly, as determined by your risk assessment or working practice. If you have any concerns about the machinery's condition or suitability, do not use it.

VISUAL INSPECTION CHECKLIST



CONCRETE KIBBLE WITH BALE ARM

INSPECTION ITEMS	RESULTS		COMMENTS
	SATISFACTORY	UNSATISFACTORY	
Serial Number			CQ.....
Product Code			
Working Load Limit (Kg)			
Conforms to user guide specification			
Lift points bent or worn			
Safety bow shackle - check split pin			
Bale arm safety chain operation			
Bale arm split pins in lifting points			
Rope secure and gate operating correctly			
Hose secure and hose clip fitted correctly			
Nuts and bolts tight, spring attached			
General visual inspection of the body			
SIGNATURE			
Name	Position	Qualification	Signature & Date

VISUAL INSPECTION CHECKLIST

BAUER CONNECTION



INSPECTION ITEMS	RESULTS		COMMENTS
	SATISFACTORY	UNSATISFACTORY	
Conforms to user guide specification			
Check over-centre catch is tight			
Check safety clip fitted to over-centre catch			
Check hose for rips and tears			
Check hose clamps for damage			
Check hose secure			
Check nuts and bolts tight and spring attached			
General visual inspection of body			
SIGNATURE			
Name	Position	Qualification	Signature & Date

VISUAL INSPECTION CHECKLIST

EXTENDED FLOW GATE HANDLE



INSPECTION ITEMS	RESULTS		COMMENTS
	SATISFACTORY	UNSATISFACTORY	
Conforms to user guide specification			
Check spring latches are operational			
Rope secure and gate operating correctly			
SIGNATURE			
Name	Position	Qualification	Signature & Date

HOSE GUIDE & INSERT

INSPECTION ITEMS	RESULTS		COMMENTS
	SATISFACTORY	UNSATISFACTORY	
Conforms to user guide specification			
Check the spring latches are operational			
Check handle grips are in place			
Check hose clips for the insert are secure			
SIGNATURE			
Name	Position	Qualification	Signature & Date

GENERAL SAFETY INSTRUCTIONS

The machinery should be properly operated and maintained to keep it in a safe, efficient operating condition. Be sure that all fixings and components are free of mud or other matter that might cause issues hazardous to the operator, serviceman, or other personnel or equipment. Report all malfunctions to those responsible for maintenance, and do not operate the equipment until corrected. Normal service or maintenance performed as required can prevent unexpected and unnecessary downtime.

This operations manual describes general inspections, servicing and operation with the normal safety precautions required for normal servicing and operating conditions. It is not a guide, however, for abnormal conditions or situations, and therefore, servicemen and operators must be safety conscious and alert to recognise potential servicing or operating safety hazards at all times, and take necessary precautions to assure safe servicing and operation of the machine.



M002
Refer to instructions manual



M004
Wear eye protection



M008
Wear safety footwear



M009
Wear protective gloves



M010
Wear protective clothing



M014
Wear head protection



M015
Wear high-visibility clothing

GENERAL NOTES

- Read this operations manual and learn the operating characteristics and limitations of the machinery. Know what operating clearances the machine requires.
- Read and understand all the safety signs prior to operation.
- If the safety signs are obstructed by dirt or debris, clean them using mild soap and water prior to operation.
- If the safety signs are damaged or illegible, replace them immediately, prior to operation.
- Be aware of operating hazards that weather changes can create on the job. Know proper procedures to follow when a severe rain or electrical storm strikes.
- Never attempt to operate or work on machinery when not feeling physically fit.
- Never wear loose clothing, rings, watches, heavy gloves etc., that might catch and result in injury.
- Know what safety equipment is required and use it. Such equipment may be: hard hat, safety glasses, reflector type vests, protective gloves and safety footwear.

TERMS & CONDITIONS

CONQUIP ENGINEERING GROUP STANDARD PRODUCT WARRANTY

01. COMMENCEMENT

1.1 This Warranty shall commence on the Commencement Date and shall continue until the earlier of:

- (a) the Expiry Date; or
- (b) the date on which it may be voided in accordance with clause 4.1(b)

when it shall terminate automatically without notice.

02. DUTY OF GOOD FAITH

2.1 The Purchaser shall in the exercise of its rights under this Warranty and in the compliance with its obligations under this Warranty be subject to and shall in all respects owe and comply with a duty of good faith to the Warrantor.

03. NATURE AND EXTENT OF COVER

3.1 Subject to clause 3.2 the Warrantor agrees and undertakes to the Purchaser that it shall be liable to the Purchaser under and in accordance with the terms of this Warranty in the event that:

- (a) prior to the Expiry Date the Purchaser shall notify a Warranty Claim to the Warrantor; and
- (b) the Equipment or any relevant part of the Equipment shall have become unusable as the result of defective material or defective workmanship prior to the Expiry Date.

3.2 The Warrantor's obligation under clause 3.1 shall be expressly subject to the provisions of clauses 4, 5 and 6 and conditional upon the Purchaser's compliance in full with the provisions of clause 7.

04. RESTRICTIONS

4.1 The following restrictions apply to this Warranty:

(a) This Warranty is personal to the Purchaser and neither the legal benefit nor legal burden of this warranty may be assigned or novated or otherwise transferred by the Purchaser to any other party. Any purported assignment, novation or transfer shall not be binding upon the Warrantor.

(b) This Warranty shall be void in the event that the Purchaser:

(i) cannot provide authentic and original documentary evidence that the Purchaser has during the period between the Commencement Date and the Expiry Date complied with the Maintenance and Servicing Requirements; and/or

(ii) has, during the period between the Commencement Date and the Expiry Date, exceeded the Purchaser's Usage Cycle Parameters; and/or

(iii) has, during the period between the Commencement Date and the Expiry Date, exceeded the Purchaser's Use Parameters; and/or

(iv) has carried out, or procured the carrying out by any third party of, any repair to the Equipment or any part of the Equipment which is not an Authorised Repair; and/or

(v) has operated the Equipment after having replaced any part of the Equipment with a part which has not been supplied and fitted by the Warrantor; and/or

(vi) has modified the Equipment in any way prior to use.

05. EXCLUSIONS

5.1 The following are excluded from the scope of this Warranty:

(a) Loss of and/ or damage to the Equipment or any part of it resulting from any collision between the Equipment and any other fixed or stationary or mobile object whatsoever, irrespective of whether that collision was or was not caused by the Purchaser; and/or

(b) Loss of and/or damage to any personal property and/or possessions or other equipment not forming part of the Equipment but which is present in or about the Equipment; and/or

(c) loss and/or damage which is covered by any other insurance policy taken out and maintained by the Purchaser or in respect of which the Purchaser has a contractual obligation to do so; and/or

(d) loss and/or damage to the equipment which is consistent with the use by the Purchaser of the Equipment:

(i) in compliance with the Maintenance and Servicing Requirements; and

(ii) in compliance with the Usage Cycle Parameters; and

(iii) in compliance with the Use Parameters; and

(iv) having only carried out Authorised Repairs to the Equipment; and

(v) having all and any replacement parts fitted by the Warrantor; and

(vi) in unmodified form.

06. LIMITATION OF LIABILITY

6.1 The Warrantor's liability to the Purchaser shall be limited as follows:

- (a) The Warrantor shall not in any circumstances be liable to the Purchaser for indirect and/or consequential and/or economic loss suffered and/or incurred as the case may be by the Purchaser; and
- (b) The Warrantor shall only be liable to the Purchaser for the reasonable and proper costs reasonably and properly incurred by the Purchaser directly in connection with the repair and/or replacement (at the Warrantor's absolute discretion) of the Equipment or any part of the Equipment; and
- (c) The Warrantor's liability to the Purchaser shall notwithstanding any other provision of this Warranty, not in any circumstances exceed the Purchase Price of the Equipment.

07. WARRANTY CLAIMS

7.1 The Purchaser shall in respect of any claim against the Warrantor under this Warranty and within 24 hours of the occurrence of the subject matter of the Warranty Claim:

- (a) Complete in full and submit to the Warrantor a Warranty Claim in the form annexed to Schedule 4;
- (b) Provide date stamped or date identifiable photographs evidencing the claim; and
- (c) Make the Equipment or the relevant part of the Equipment available to the Warrantor for inspection within 48 hours of notification of the relevant Warranty Claim.

08. ENTIRE AGREEMENT

8.1 This Warranty constitutes the entire agreement between the parties and supersedes and extinguishes all previous promises, assurances, warranties, representations and understandings between them, whether written or oral, relating to its subject matter.

8.2 Each party agrees that it shall have no remedies in respect of any statement, representation, assurance or warranty (whether made innocently or negligently) that is not set out in this Warranty. Each party agrees that it shall have no claim for innocent or negligent misrepresentation or negligent misstatement based on any statement in this Warranty.

No variation of this Warranty shall be effective unless it is in writing and signed by the parties (or their authorised representatives).

09. WAIVER

No failure or delay by a party to exercise any right or remedy provided under this Warranty or by law shall constitute a waiver of that or any other right or remedy, nor shall it prevent or restrict the further exercise of that or any other right or remedy. No single or partial exercise of such right or remedy shall prevent or restrict the further exercise of that or any other right or remedy.

10. SEVERANCE

10.1 If any provision or part-provision of this Warranty is or becomes invalid, illegal or unenforceable, it shall be deemed deleted, but that shall not affect the validity and enforceability of the rest of this Warranty.

10.2 If any provision or part-provision of this Warranty is deemed deleted under clause 10.1 the parties shall negotiate in good faith to agree a replacement provision that, to the greatest extent possible, achieves the intended commercial result of the original provision.

11. THIRD PARTY RIGHTS

11.1 This Warranty does not give rise to any rights under the Contracts (Rights of Third Parties) Act 1999 to enforce any term of this Warranty.

12. GOVERNING LAW

12.1 This Warranty and any dispute or claim (including non-contractual disputes or claims) arising out of or in connection with it or its subject matter or formation shall be governed by and construed in accordance with the law of England and Wales.

13. JURISDICTION

13.1 Each party irrevocably agrees that the courts of England and Wales shall have exclusive jurisdiction to settle any dispute or claim (including non-contractual disputes or claims) arising out of or in connection with this Warranty or its subject matter or formation.

EC DECLARATION OF CONFORMITY

IN ACCORDANCE WITH EN ISO 17050-1:2004

Declaration: As defined by the Machinery Directive 2006/42/EC and subsequent amendments

We, CONQUIP ENGINEERING GROUP, herewith declare that the following indicated equipment meets the fundamental health and safety requirements concerning the EU guideline(s), due to their design and manufacture.

This declaration will be rendered null and void if the machine is changed without our approval.

SIGNED:

DATED: 2024

Garry Critchley, Chief Executive Officer

PRODUCT CODES	GENERAL DESCRIPTION / DESIGNATION	WORKING LOAD LIMIT
CS210-00500	Concrete Kibble With Bale Arm 500	1500kg
CS210-00750	Concrete Kibble With Bale Arm 750	2250kg
CS210-01000	Concrete Kibble With Bale Arm 1000	3000kg
CS210-01500	Concrete Kibble With Bale Arm 1500	4500kg
CS210-02000	Concrete Kibble With Bale Arm 2000	6000kg

ITEM	CODE	DESCRIPTION
EC DIRECTIVE/REGULATION	2006/42/EC	Directive 2006/42/EC- new machinery directive
HARMONISED STANDARDS	BS EN ISO 12100:2010	Safety of machinery General principles for design Risk assessment and risk reduction
OTHER REGULATIONS	LOLER 1998	Lifting Operations and Lifting Equipment Regulations 1998 (LOLER)
	PUWER 1998	Provision and Use of Work Equipment Regulations 1998 (PUWER)

TALKING TO US IS EASY
WE'RE HERE TO HELP

Call us on (02) 8844 4590
Email us at sales@conquipgroup.com.au
www.cqegroup.com/au

