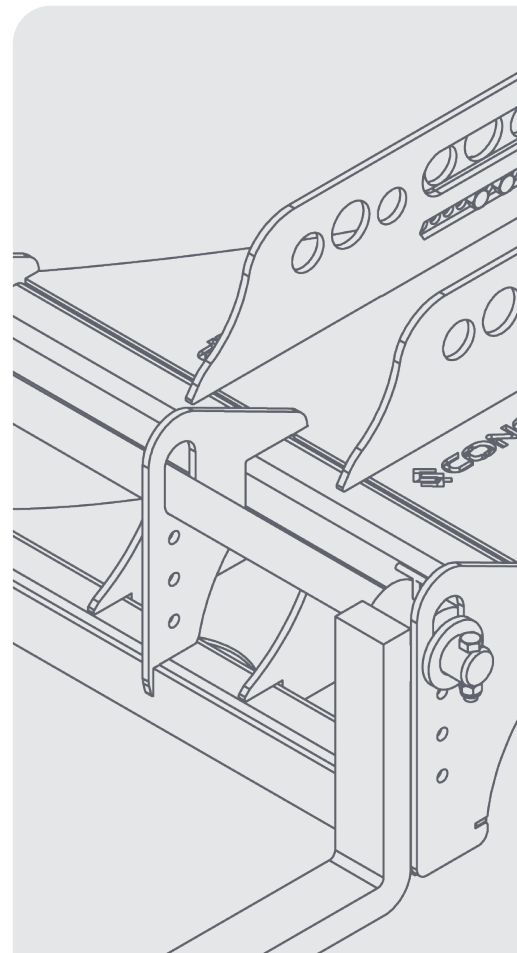


USER GUIDE

EXCAVATOR FORKS



DISCLAIMER

Do not attempt to handle or operate this equipment before you have received sufficient training. Before use, operatives must have carried out all checks featured on the Visual Inspection Sheet on page 15. It is imperative that you have read the General Safety Instructions on page 16 and sufficiently familiarised yourself with the Operational Procedures in this document.

Note that this item is compliant only to the standards specified in this User Guide and it is therefore the duty of the responsible person(s) to review and ensure compliance.

CONTENTS

PRODUCT INFORMATION

INTRODUCTION	04
SPECIFICATION	05
PARTS DIAGRAM	06

OPERATIONAL PROCEDURES

IMPORTANT USAGE NOTES	10
USING WITH AN EXCAVATOR	10
IMPORTANT STORAGE NOTES	11
STORAGE INSTRUCTIONS	11
POTENTIAL FINGER TRAPS	13
RETURNING TO SERVICE	13

MAINTENANCE & INSPECTION

MAINTENANCE REGIME	14
VISUAL INSPECTION SHEET	15

GENERAL SAFETY INSTRUCTIONS

SAFETY INSTRUCTIONS	16
GENERAL NOTES	17

LEGAL

TERMS AND CONDITIONS	18
EC DECLARATION OF CONFORMITY	22
STANDARDS AND REGULATIONS APPLICABLE	23

INTRODUCTION

OVERVIEW

The Conquip Excavator Forks attachment is designed to enable an excavator to lift palletised material. This is especially useful if space is restricted and budget is limited, as it ensures you only need one machine on site.

Available in three sizes, to suit excavators ranging from 5 to 50 tonnes.

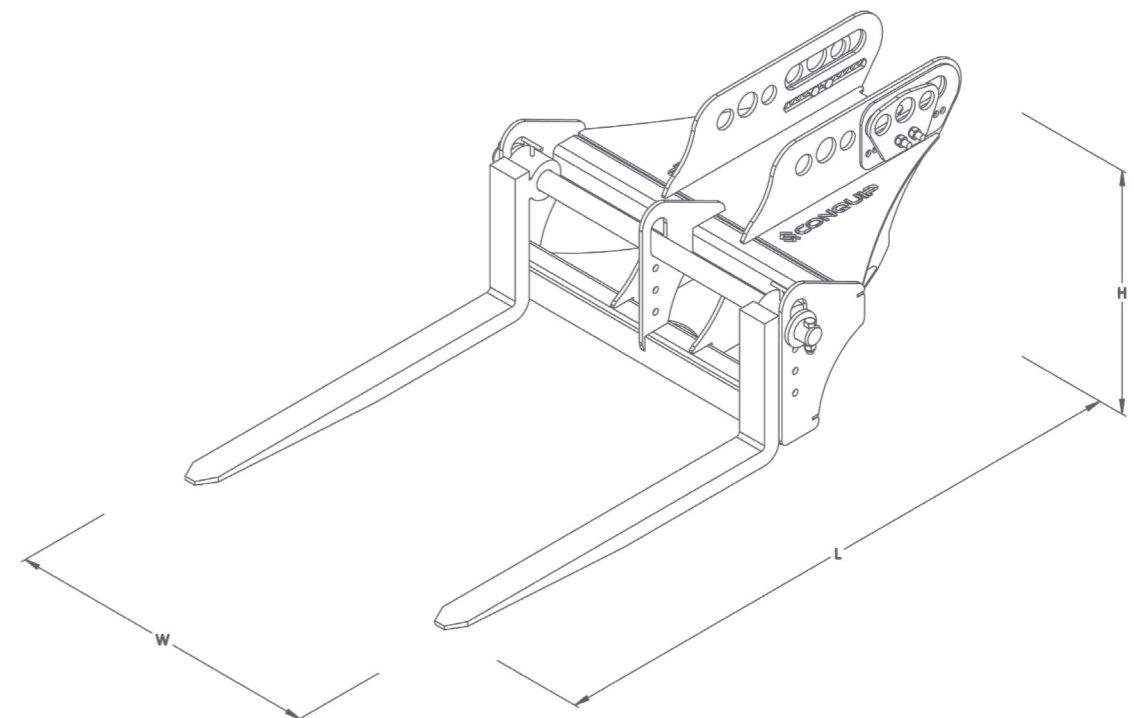
KEY BENEFITS

- Quick and simple to attach, with adjustable pin centres and different pin sizes to suit any model of excavator quick hitch.
- Ability to see through the unit allows clear visibility of pallet/load for the excavator operator.
- Fork tines can be folded over the unit for compact storage.
- ‘Floating’ forks allow for easier placement and easier lifting on uneven surfaces.
- Excavator Forks 1000 can be supplied with 45, 50 or 60mm pins to suit 5 to 9 tonne excavators.
- Excavator Forks 2500 can be supplied with 65 or 80mm pins to suit 13 to 22 tonne excavators.
- Excavator Forks 4000 can be supplied with 90, 100 or 110mm pins to suit 30 to 50 tonne excavators.
- Forks sit as a free standing unit, flat to the ground when unattached.
- Can be supplied with anti-slide plate and backrest for extra load stability.

SPECIFICATION

THE RANGE

ITEM	PRODUCT CODE
Excavator Forks 1000	EA010AQ-01000
Excavator Forks 2500	EA010AS-02500
Excavator Forks 4000	EA010AQ-04000

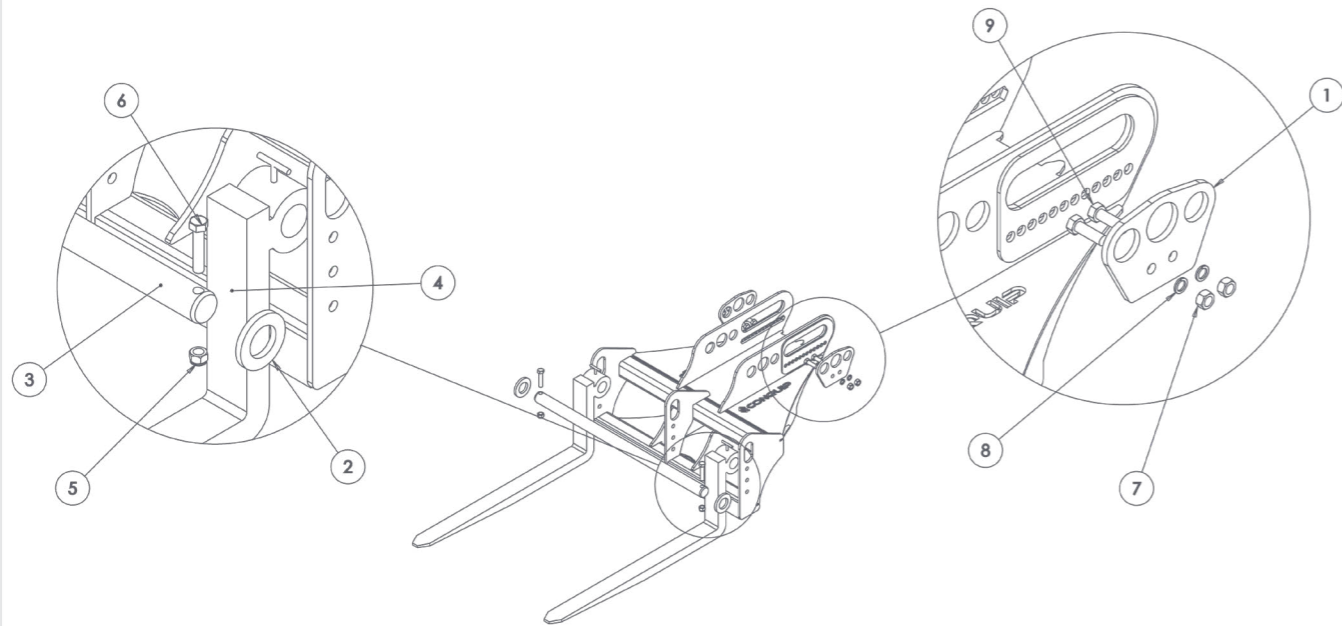


LENGTH (mm)	WIDTH (mm)	HEIGHT (mm)	WEIGHT (kg)	WLL* (kg)
1930	1010	540	195	1000
2310	1225	620	375	2500
2740	1390	745	540	4000

*Working Load Limit

PARTS DIAGRAM

EXCAVATOR FORKS 1000

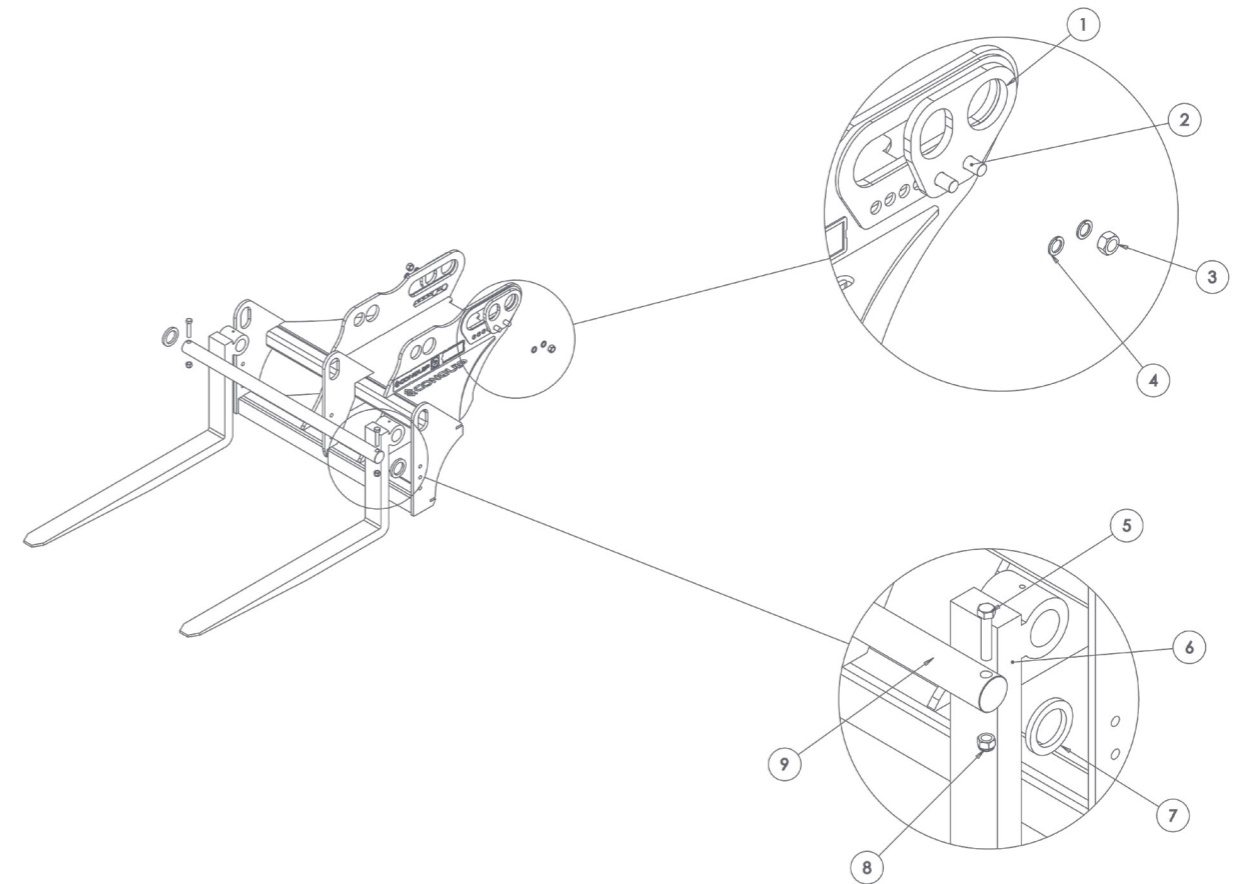


ITEM NUMBER	PART	DESCRIPTION	QUANTITY
1	ZZ130057	Adjustment Plate	2
2	ZZ960080	Fork Pin Washer	2
3	ZZ130063	50mm Fork Mount Pin	1
4	ZZ130062	1T Excavator Fork	2
5	NS800121	M16 Nyloc Nut	2
6	NS800852	M16x75 Hex Head Set Screw 8.8	2
7	NS800380	M16 Full Nut	4
8	NS800249	M16 Spring Washer	4
9	NS800581	M16x50 Hex Head Set Screw 8.8	4

NOTE: These parts are for this model, they may differ for previous versions. Please contact Conquip with any queries.

PARTS DIAGRAM

EXCAVATOR FORKS 2500

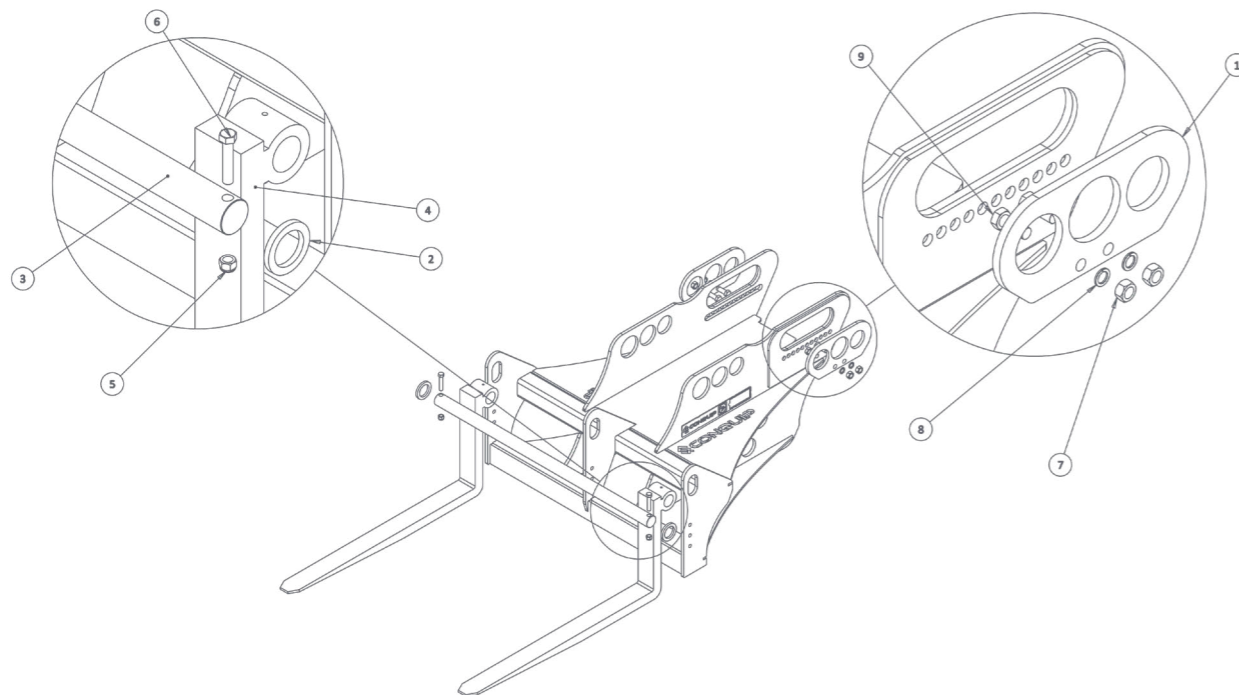


ITEM NUMBER	PART	DESCRIPTION	QUANTITY
1	ZZ130137	Adjustment Plate	2
2	NS800878	M20x50 Hex Head Set Screw 8.8	4
3	NS800280	M20 Full Nut	4
4	NS800886	M20 Spring Washer	4
5	NS800349	M16x80 Hex Head Set Screw 8.8	2
6	ZZ130025	Excavator Fork	2
7	ZZ960233	Fork Pin Washer	2
8	NS800121	M16 Nyloc Nut	2
9	ZZ130054	60mm Fork Mount Pin	1

NOTE: These parts are for this model, they may differ for previous versions. Please contact Conquip with any queries.

PARTS DIAGRAM

EXCAVATOR FORKS 4000



ITEM NUMBER	PART	DESCRIPTION	QUANTITY
1	ZZ130090	Adjustment Plate	2
2	ZZ960233	Fork Pin Washer	2
3	ZZ130088	60mm Fork Mount Pin	1
4	ZZ130025	2T Excavator Fork	2
5	NS800121	M16 Nyloc Nut	2
6	NS800389	M16x80 Hex Head Set Screw 8.8	2
7	NS800280	M20 Full Nut	4
8	NS800886	M20 Spring Washer	4
9	NS800581	M20x50 Hex Head Set Screw 8.8	4

NOTE: These parts are for this model, they may differ for previous versions. Please contact Conquip with any queries.

OPERATIONAL PROCEDURES

IMPORTANT USAGE NOTES

- If there is a slinger / signaller they should not be positioned underneath the load and should remain visible to the driver.
- Operators should allow for any rough or sloping ground when assessing the method of operating.

USING WITH AN EXCAVATOR

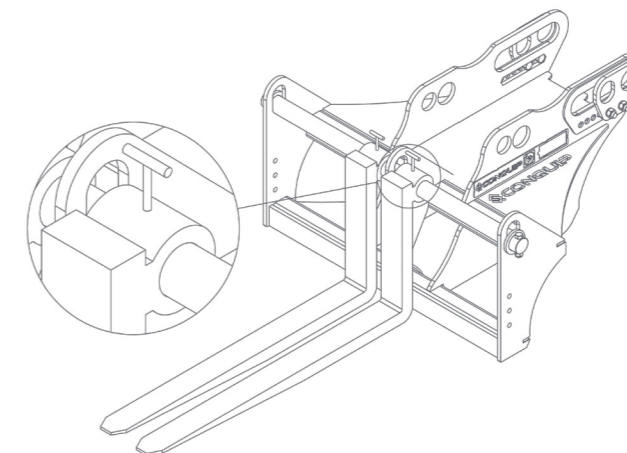
01. Select the relevant size pins to match your machine's quick hitch.
02. Fit the front pin to the correct sized hole on the Excavator Forks.
03. Adjust the position of the rear pin to suit the quick hitch - follow the quick hitch operating guidelines and set the pins to the maximum centres for the unit.
04. Ensure the quick hitch pins have the retaining bolts and washers and they are correctly fitted.
05. Check for debris in the quick hitch locking mechanism and check the fit of the unit on the quick hitch, do not use if not secure.
06. Adjust the fork width to suit the job by sliding the forks along the top bar. Position the forks in the widest practical position.
07. Tighten the fork tine retaining screws to fix the position. The forks on this unit are floating, pivoting around the top rail.
08. When lifting or setting down loads, always operate the forks in a horizontal plane.
09. When traveling with a load, keep it in the lowest practicable position and maintain driver visibility.
10. Once the Excavator Forks are no longer needed, lower to the ground and release from the quick hitch.

IMPORTANT STORAGE NOTES

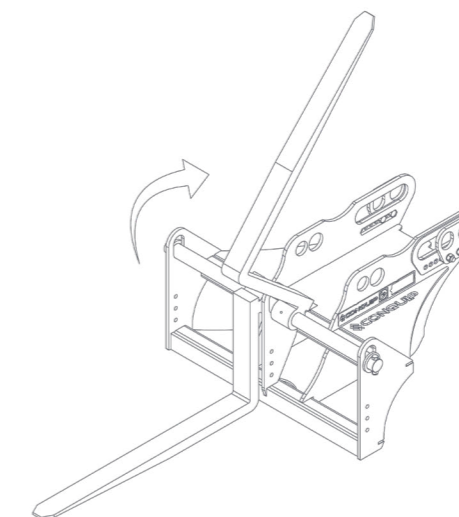
- Ensure the Excavator Forks are stored on a flat surface.
- Correct PPE must be worn when following the storage steps, including gloves and steel toe cap boots.
- Before attempting to store the Excavator Forks, Conquip recommend removing the rear operating pins from the hitch.
- Each fork tine must be lifted by two operatives. Do not attempt to lift alone.

STORAGE INSTRUCTIONS

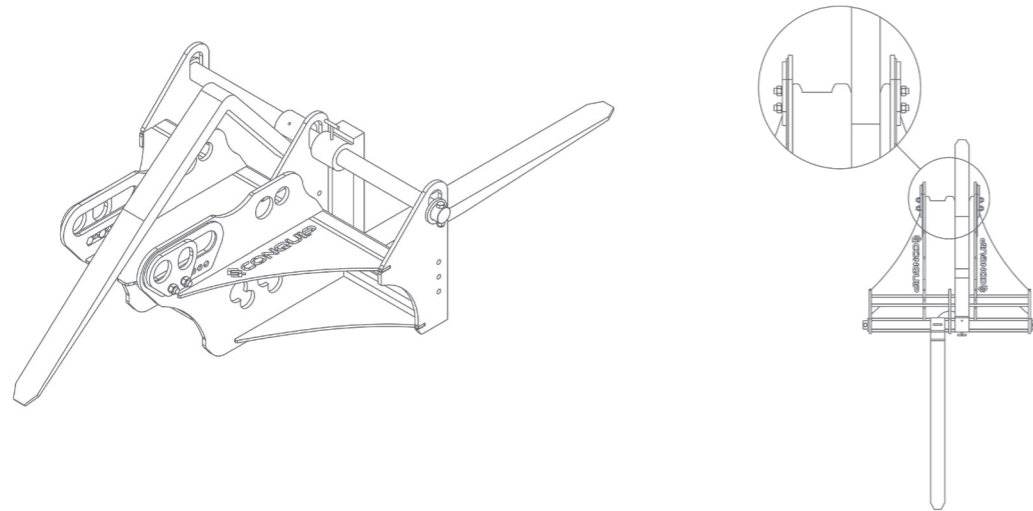
01. Loosen the fork tine retaining screws and move the fork tines into the centre so they are positioned within the internal width of the adjustment plates.



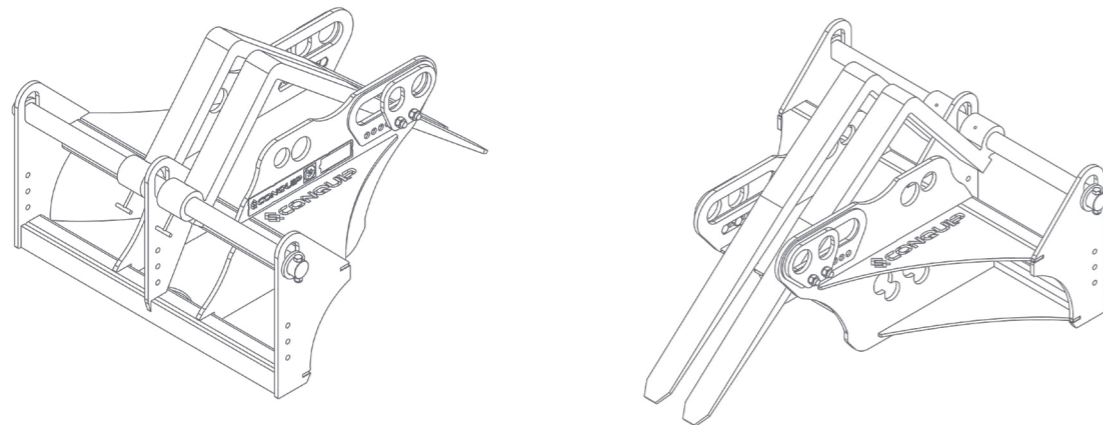
02. With an operative positioned either side of the Excavator Forks, slowly lift one of the fork tines by the toe and arch it over the body of the unit.



03. Carefully place the fork tine in the designated fork parking recess. Ensure to keep fingers clear of any area between the fork tine and the body of the forks when you are lowering the fork tine into position. See potential finger trap areas on page 13 for more information.



04. Repeat steps 1-3 for the other fork tine until they are both resting in the designated parking recesses, replicating the images below.



05. Conquip recommend storing the Excavator Forks in a secure, closed off area to prevent them from becoming a trip hazard.

EXCAVATOR FORKS POTENTIAL FINGER TRAPS

When storing the Excavator Forks (Fig.1, Fig.2) and returning them to service (Fig.3), there are a few areas where personnel could trap their fingers. Conquip advise taking care during these operations and to always wear the correct PPE to avoid any risk of injury.

FIG 1

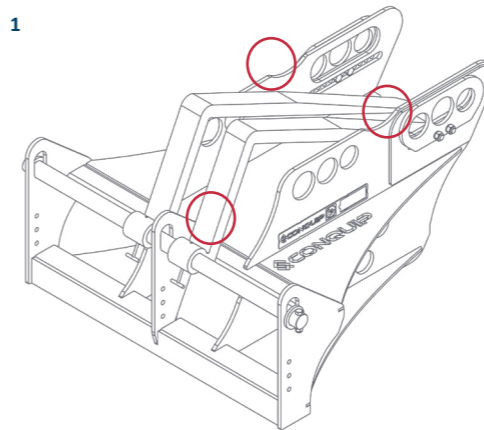


FIG 2

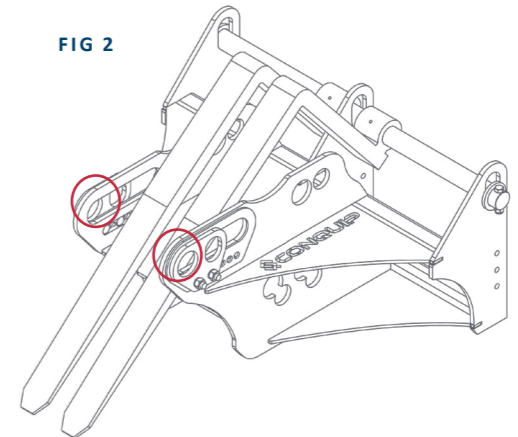
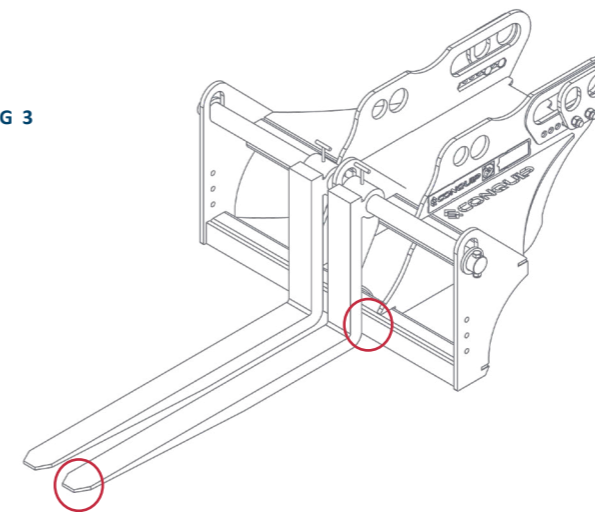


FIG 3



RETURNING TO SERVICE

01. When the Excavator Forks are required again, two operatives stand either side of the forks and lift each fork tine (one at a time) by the toe, up and over the body of the unit until they are flat on the ground.
02. Take care to avoid any finger traps when you are lifting and re-positioning the fork tines.
03. Loosen the fork tine retaining screws and move the fork tines to the required width for operation.

MAINTENANCE & INSPECTION

MAINTENANCE REGIME

- It is mandatory that the machinery equipment is thoroughly examined regularly, by a qualified engineer, to ensure compliance with relevant regulations. Conquip recommend carrying out a thorough examination every six months.
- This machinery may incorporate various loose and detachable items including, but not limited to pins, bolt assemblies and adaption plates. Refer to the separate requirements for the safe use of those items.
- When not being used, store the unit in a clean, upright condition and in a safe place where it will be protected from thieves and unauthorised users.
- This machinery must be inspected by the responsible person before each use and then regularly, as determined by your risk assessment or working practice. If you have any concerns about the machinery's condition or suitability, do not use it.

VISUAL INSPECTION CHECKLIST

INSPECTION ITEMS	RESULTS		COMMENTS
	SATISFACTORY	UNSATISFACTORY	
Serial Number			CQ.....
Product Code			
Working Load Limit (kg)			
Conforms to user guide specification			
Adjuster plate bolts tight			
Excavator pins secured			
Fork tines not bent			
Fork tine adjuster bolts working			
General visual inspection of the body			
SIGNATURE			
Name	Position	Qualification	Signature & Date

GENERAL SAFETY INSTRUCTIONS

The equipment should be properly operated and maintained to keep it in a safe, efficient operating condition. Be sure that all fixings and components are free of mud or other matter that might cause issues hazardous to the operator, serviceman, or other personnel or equipment. Report all malfunctions to those responsible for maintenance, and do not operate the equipment until corrected. Normal service or maintenance performed as required can prevent unexpected and unnecessary downtime.

This operations manual describes general inspections, servicing and operation with the normal safety precautions required for normal servicing and operating conditions. It is not a guide, however, for abnormal conditions or situations, and therefore, servicemen and operators must be safety conscious and alert to recognise potential servicing or operating safety hazards at all times, and take necessary precautions to assure safe servicing and operation of the equipment.



M002
Refer to instructions manual



M004
Wear eye protection



M008
Wear safety footwear



M009
Wear protective gloves



M010
Wear protective clothing



M014
Wear head protection



M015
Wear high-visibility clothing

GENERAL NOTES

- Read this operations manual and learn the operating characteristics and limitations of the machinery. Know what operating clearances the equipment requires.
- Read and understand all the safety signs prior to operation.
- If the safety signs are obstructed by dirt or debris, clean them using mild soap and water prior to operation.
- If the safety signs are damaged or illegible, replace them immediately, prior to operation.
- Be aware of operating hazards that weather changes can create on the job. Know proper procedures to follow when a severe rain or electrical storm strikes.
- Never attempt to operate or work on equipment when not feeling physically fit.
- Never wear loose clothing, rings, watches, heavy gloves etc., that might catch and result in injury.
- Know what safety equipment is required and use it. Such equipment may be: hard hat, safety glasses, reflector type vests, protective gloves and safety footwear.

TERMS & CONDITIONS

CONQUIP ENGINEERING GROUP STANDARD PRODUCT WARRANTY

01. COMMENCEMENT

1.1 This Warranty shall commence on the Commencement Date and shall continue until the earlier of:

- (a) the Expiry Date; or
- (b) the date on which it may be voided in accordance with clause 4.1(b)

when it shall terminate automatically without notice.

02. DUTY OF GOOD FAITH

2.1 The Purchaser shall in the exercise of its rights under this Warranty and in the compliance with its obligations under this Warranty be subject to and shall in all respects owe and comply with a duty of good faith to the Warrantor.

03. NATURE AND EXTENT OF COVER

3.1 Subject to clause 3.2 the Warrantor agrees and undertakes to the Purchaser that it shall be liable to the Purchaser under and in accordance with the terms of this Warranty in the event that:

- (a) prior to the Expiry Date the Purchaser shall notify a Warranty Claim to the Warrantor; and
- (b) the Equipment or any relevant part of the Equipment shall have become unusable as the result of defective material or defective workmanship prior to the Expiry Date.

3.2 The Warrantor's obligation under clause 3.1 shall be expressly subject to the provisions of clauses 4, 5 and 6 and conditional upon the Purchaser's compliance in full with the provisions of clause 7.

04. RESTRICTIONS

4.1 The following restrictions apply to this Warranty:

(a) This Warranty is personal to the Purchaser and neither the legal benefit nor legal burden of this warranty may be assigned or novated or otherwise transferred by the Purchaser to any other party. Any purported assignment, novation or transfer shall not be binding upon the Warrantor.

(b) This Warranty shall be void in the event that the Purchaser:

(i) cannot provide authentic and original documentary evidence that the Purchaser has during the period between the Commencement Date and the Expiry Date complied with the Maintenance and Servicing Requirements; and/or

(ii) has, during the period between the Commencement Date and the Expiry Date, exceeded the Purchaser's Usage Cycle Parameters; and/or

(iii) has, during the period between the Commencement Date and the Expiry Date, exceeded the Purchaser's Use Parameters; and/or

(iv) has carried out, or procured the carrying out by any third party of, any repair to the Equipment or any part of the Equipment which is not an Authorised Repair; and/or

(v) has operated the Equipment after having replaced any part of the Equipment with a part which has not been supplied and fitted by the Warrantor; and/or

(vi) has modified the Equipment in any way prior to use.

05. EXCLUSIONS

5.1 The following are excluded from the scope of this Warranty:

(a) Loss of and/ or damage to the Equipment or any part of it resulting from any collision between the Equipment and any other fixed or stationary or mobile object whatsoever, irrespective of whether that collision was or was not caused by the Purchaser; and/or

(b) Loss of and/or damage to any personal property and/or possessions or other equipment not forming part of the Equipment but which is present in or about the Equipment; and/or

(c) loss and/or damage which is covered by any other insurance policy taken out and maintained by the Purchaser or in respect of which the Purchaser has a contractual obligation to do so; and/or

(d) loss and/or damage to the equipment which is consistent with the use by the Purchaser of the Equipment:

(i) in compliance with the Maintenance and Servicing Requirements; and

(ii) in compliance with the Usage Cycle Parameters; and

(iii) in compliance with the Use Parameters; and

(iv) having only carried out Authorised Repairs to the Equipment; and

(v) having all and any replacement parts fitted by the Warrantor; and

(vi) in unmodified form.

06. LIMITATION OF LIABILITY

6.1 The Warrantor's liability to the Purchaser shall be limited as follows:

- (a) The Warrantor shall not in any circumstances be liable to the Purchaser for indirect and/or consequential and/or economic loss suffered and/or incurred as the case may be by the Purchaser; and
- (b) The Warrantor shall only be liable to the Purchaser for the reasonable and proper costs reasonably and properly incurred by the Purchaser directly in connection with the repair and/or replacement (at the Warrantor's absolute discretion) of the Equipment or any part of the Equipment; and
- (c) The Warrantor's liability to the Purchaser shall notwithstanding any other provision of this Warranty, not in any circumstances exceed the Purchase Price of the Equipment.

07. WARRANTY CLAIMS

7.1 The Purchaser shall in respect of any claim against the Warrantor under this Warranty and within 24 hours of the occurrence of the subject matter of the Warranty Claim:

- (a) Complete in full and submit to the Warrantor a Warranty Claim in the form annexed to Schedule 4;
- (b) Provide date stamped or date identifiable photographs evidencing the claim; and
- (c) Make the Equipment or the relevant part of the Equipment available to the Warrantor for inspection within 48 hours of notification of the relevant Warranty Claim.

08. ENTIRE AGREEMENT

8.1 This Warranty constitutes the entire agreement between the parties and supersedes and extinguishes all previous promises, assurances, warranties, representations and understandings between them, whether written or oral, relating to its subject matter.

8.2 Each party agrees that it shall have no remedies in respect of any statement, representation, assurance or warranty (whether made innocently or negligently) that is not set out in this Warranty. Each party agrees that it shall have no claim for innocent or negligent misrepresentation or negligent misstatement based on any statement in this Warranty.

No variation of this Warranty shall be effective unless it is in writing and signed by the parties (or their authorised representatives).

09. WAIVER

No failure or delay by a party to exercise any right or remedy provided under this Warranty or by law shall constitute a waiver of that or any other right or remedy, nor shall it prevent or restrict the further exercise of that or any other right or remedy. No single or partial exercise of such right or remedy shall prevent or restrict the further exercise of that or any other right or remedy.

10. SEVERANCE

10.1 If any provision or part-provision of this Warranty is or becomes invalid, illegal or unenforceable, it shall be deemed deleted, but that shall not affect the validity and enforceability of the rest of this Warranty.

10.2 If any provision or part-provision of this Warranty is deemed deleted under clause 10.1 the parties shall negotiate in good faith to agree a replacement provision that, to the greatest extent possible, achieves the intended commercial result of the original provision.

11. THIRD PARTY RIGHTS

11.1 This Warranty does not give rise to any rights under the Contracts (Rights of Third Parties) Act 1999 to enforce any term of this Warranty.

12. GOVERNING LAW

12.1 This Warranty and any dispute or claim (including non-contractual disputes or claims) arising out of or in connection with it or its subject matter or formation shall be governed by and construed in accordance with the law of England and Wales.

13. JURISDICTION

13.1 Each party irrevocably agrees that the courts of England and Wales shall have exclusive jurisdiction to settle any dispute or claim (including non-contractual disputes or claims) arising out of or in connection with this Warranty or its subject matter or formation.

EC DECLARATION OF CONFORMITY

IN ACCORDANCE WITH EN ISO 17050-1:2004

Declaration: As defined by the Machinery Directive 2006/42/EC and subsequent amendments

We, CONQUIP ENGINEERING GROUP, herewith declare that the following indicated equipment meets the fundamental health and safety requirements concerning the EU guideline(s), due to their design and manufacture.

This declaration will be rendered null and void if the machine is changed without our approval.

SIGNED:



DATED: 2024

Garry Critchley, Chief Executive Officer

PRODUCT CODES	GENERAL DESCRIPTION / DESIGNATION	WORKING LOAD LIMIT
EA010AQ-01000	Excavator Forks 1000	1000kg
EA010AS-02500	Excavator Forks 2500	2500kg
EA010AQ-04000	Excavator Forks 4000	4000kg

ITEM	CODE	DESCRIPTION
EC DIRECTIVE/REGULATION	2006/42/EC	Directive 2006/42/EC- new machinery directive
HARMONISED STANDARDS	BS EN ISO 12100:2010	Safety of machinery General principles for design Risk assessment and risk reduction
OTHER REGULATIONS	LOLER 1998	Lifting Operations and Lifting Equipment Regulations 1998 (LOLER)
	PUWER 1998	Provision and Use of Work Equipment Regulations 1998 (PUWER)

TALKING TO US IS EASY
WE'RE HERE TO HELP

Call us on (02) 8844 4590
Email us at sales@conquipgroup.com.au
www.cqegroup.com/au

