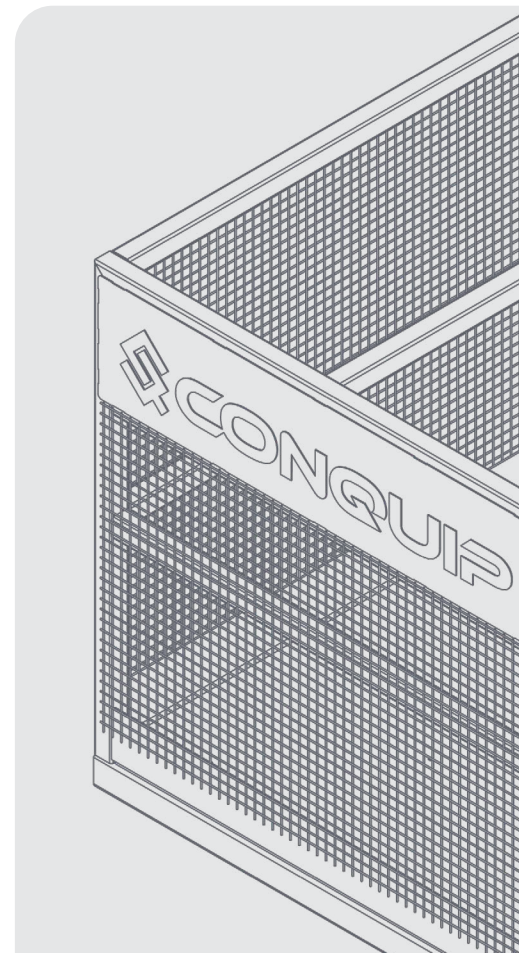
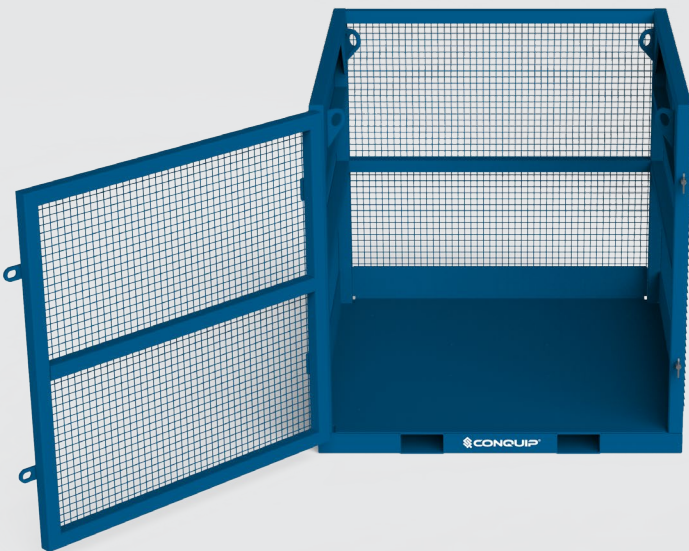


USER GUIDE

# GOODS CAGE



## DISCLAIMER

Do not attempt to handle or operate this equipment before you have received sufficient training. Before use, operatives must have carried out all checks featured on the Visual Inspection Sheet on page 15. It is imperative that you have read the General Safety Instructions on page 16 and sufficiently familiarised yourself with the Operational Procedures in this document.

Note that this item is compliant only to the standards specified in this User Guide and it is therefore the duty of the responsible person(s) to review and ensure compliance.

# CONTENTS

## PRODUCT INFORMATION

INTRODUCTION	04
SPECIFICATION	05
PARTS DIAGRAM	07

## OPERATIONAL PROCEDURES

IMPORTANT USAGE NOTES	12
USING WITH A CRANE	12

## MAINTENANCE & INSPECTION

MAINTENANCE REGIME	14
VISUAL INSPECTION SHEET	15

## GENERAL SAFETY INSTRUCTIONS

SAFETY INSTRUCTIONS	16
GENERAL NOTES	17

## LEGAL

TERMS AND CONDITIONS	18
EC DECLARATION OF CONFORMITY	22
STANDARDS AND REGULATIONS APPLICABLE	23

# INTRODUCTION

## OVERVIEW

The Conquip Goods Cage is a safe, convenient method of transporting materials to and from high or low locations on site. The range all feature four lifting points for crane lifting and fork pockets as standard for easy manoeuvrability.

There are two standard sizes of the Goods Cage, large and small, which are available with varying access options, either a gas assisted ramp or a secure gate. The ramped access versions offer the ability to load the cage using a pallet truck or sack barrow.

## KEY BENEFITS

- Variety of sizes and access options for different site requirements.
- Easy loading due to front gate or fold down ramp.
- Safe and secure method for transporting materials and equipment as the load is contained.
- All standard Conquip Goods Cages have a Working Load Limit of 3000kg.

# SPECIFICATION

## THE RANGE

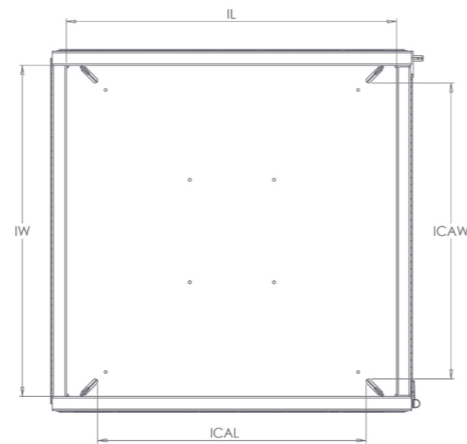
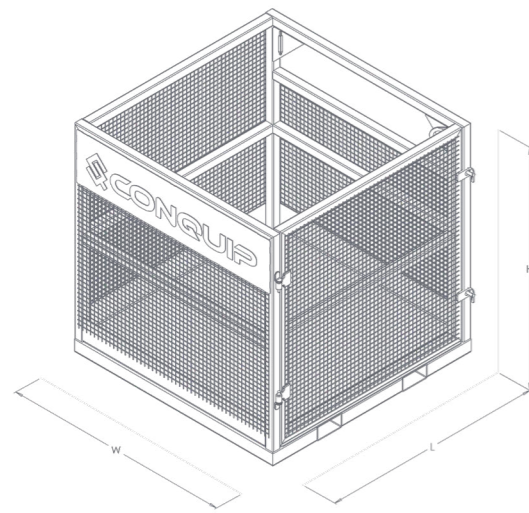


CODE	TYPE	WEIGHT (kg)	WLL (kg)
CA118AL-01638	Gate Access	270	3000
CA124AL-01658	Ramp Access	300	
CA118AL-03277	Gate Access	450	
CA124AK-03277	Ramp Access (Short Side)	460	
CA124AL-03277	Ramp Access (Long Side)	500	

\*Working Load Limit

# SPECIFICATION

ITEM	PRODUCT CODE
Small Goods Cage With Gate Access	CA118AL-01638
Small Goods Cage With Ramp Access	CA124AL-01658



## EXTERNAL

LENGTH (mm)	WIDTH (mm)	HEIGHT (mm)	FORK POCKETS (mm)
1280	1280	1280	150 x 70
1360	1300	1300	150 x 70

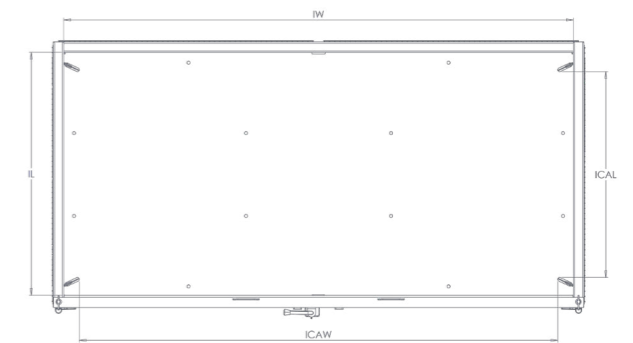
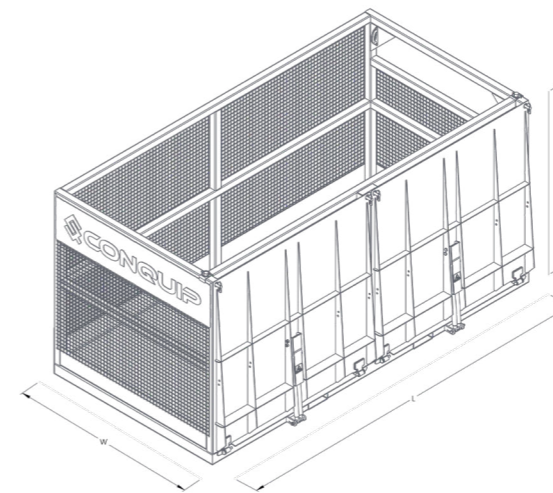
## INTERNAL

LENGTH (mm)	WIDTH (mm)	ICAL* (mm)	ICAW** (mm)
1176	1180	956	1055
1130	1180	956	1055

\* ICAL = Internal Clear Area Length  
 \*\* ICAW = Internal Clear Area Width

# SPECIFICATION

ITEM	PRODUCT CODE
Large Goods Cage Gate Access	CA118AL-03277
Large Goods Cage Ramp Access (Short Side)	CA124AK-03277
Large Goods Cage Ramp Access (Long Side)	CA124AL-03277



## EXTERNAL

LENGTH (mm)	WIDTH (mm)	HEIGHT (mm)	FORK POCKETS (mm)
2560	1280	1280	150 x 70
2645	1300	1300	150 x 70
2560	1300	1300	150 x 70

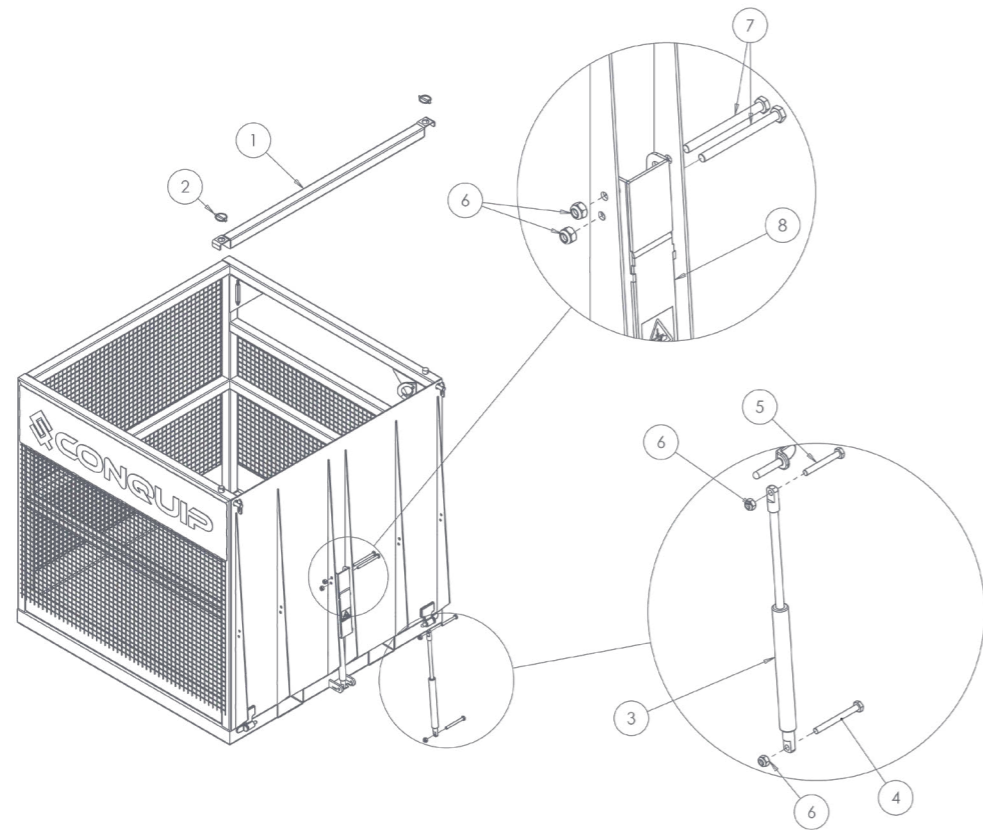
## INTERNAL

LENGTH (mm)	WIDTH (mm)	ICAL* (mm)	ICAW** (mm)
2460	1173	2309	994
2410	1180	2276	1055
2460	1130	2309	994

\* ICAL = Internal Clear Area Length  
 \*\* ICAW = Internal Clear Area Width

# PARTS DIAGRAM

## SMALL GOODS CAGE RAMP ACCESS

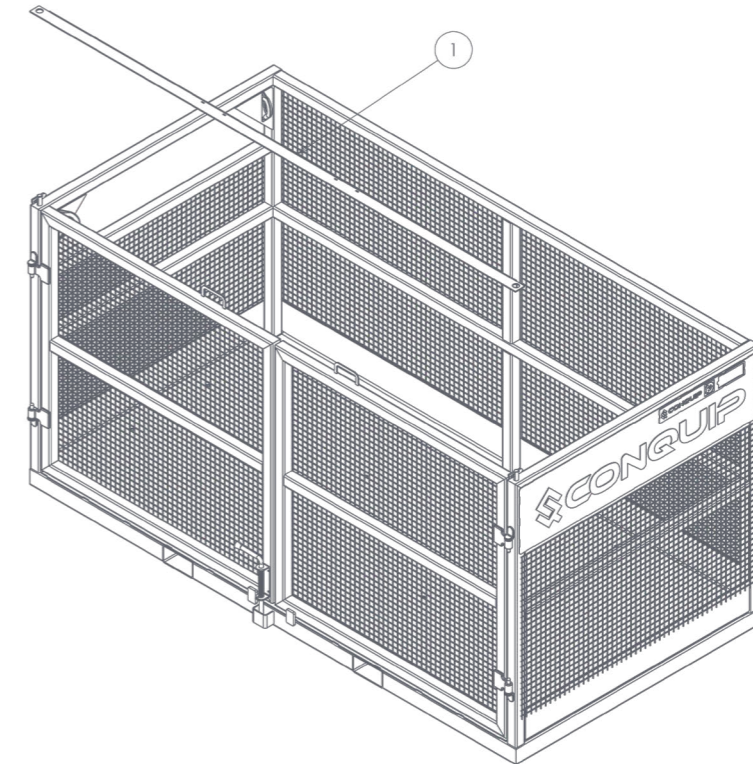


ITEM NUMBER	PART	DESCRIPTION	QUANTITY
1	ZZ190060	Spreader Beam Assembly	1
2	ZZ990009	6mm Linch Pin	2
3	ZZ960042	Gas Strut 1500N 14 x 200mm	2
4	NS800425	M10 x 100 Hex Head Set Screw	1
5	NS800917	M10 x 80 Hex Head Set Screw	1
6	NS800013	M10 Nyloc Nut	4
7	NS800480	M10x120 Hex Head Set Screw 8.8	2
8	ZZ190067	Gas Strut Pre-tension Lever Assembly	1

NOTE: These parts are for this model, they may differ for previous versions. Please contact Conquip with any queries.

# PARTS DIAGRAM

## LARGE GOODS CAGE GATE ACCESS

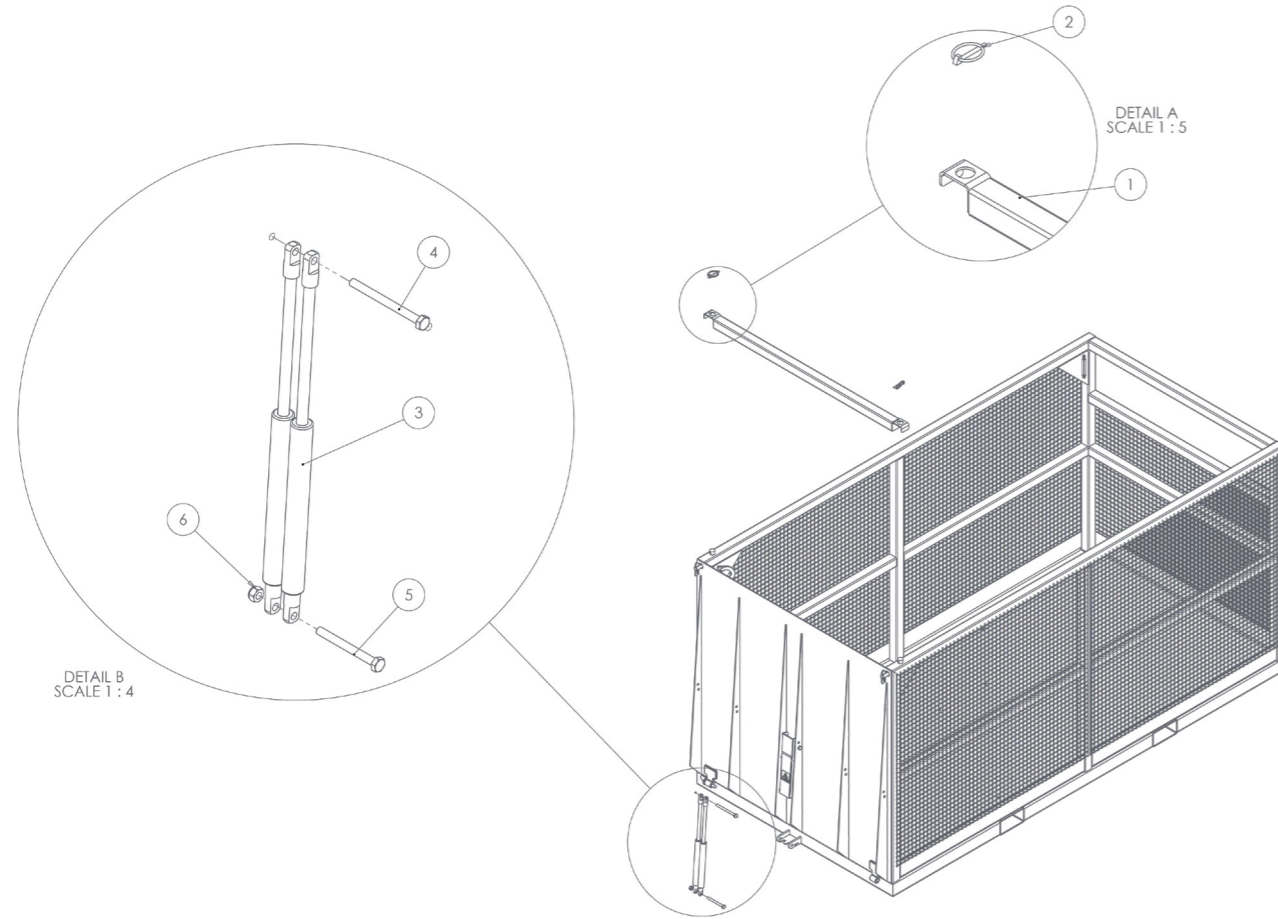


ITEM NUMBER	PART	DESCRIPTION	QUANTITY
1	ZZ190060	Spreader Beam Assembly	1

NOTE: These parts are for this model, they may differ for previous versions. Please contact Conquip with any queries.

# PARTS DIAGRAM

## LARGE GOODS CAGE RAMP ACCESS (SHORT SIDE)

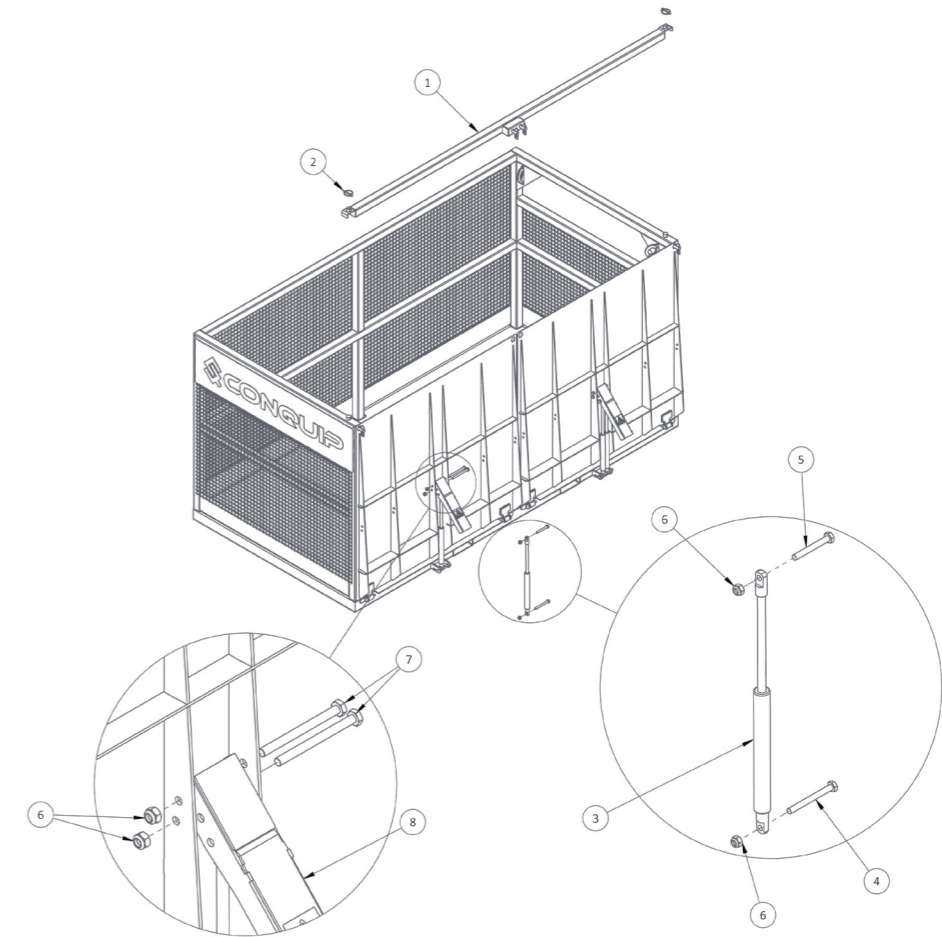


ITEM NUMBER	PART	DESCRIPTION	QUANTITY
1	ZZ190060	Spreader Beam Assembly	1
2	ZZ990009	6mm Linch Pin	2
3	ZZ960042	Gas Strut 1500N 14 x 200mm	2
4	NS800480	M10 x 120 Hex Head Set Screw	1
5	NS800425	M10 x 100 Hex Head Set Screw	1
6	NS800013	M10 Nyloc Nut	2

NOTE: These parts are for this model, they may differ for previous versions. Please contact Conquip with any queries.

# PARTS DIAGRAM

## LARGE GOODS CAGE RAMP ACCESS (LONG SIDE)



ITEM NUMBER	PART	DESCRIPTION	QUANTITY
1	ZZ190060	Spreader Beam Assembly	1
2	ZZ990009	6mm Linch Pin	2
3	ZZ960042	Gas Strut 1500N 14 x 200mm	4
4	NS800425	M10 x 100 Hex Head Set Screw	4
5	NS800917	M10 x 80 Hex Head Set Screw	2
6	NS800013	M10 Nyloc Nut	8
7	NS800480	M10 x 120 Hex Head Set Screw 8.8	4
8	ZZ190067	Gas Strut Pre-tension Lever Assembly	2

NOTE: These parts are for this model, they may differ for previous versions. Please contact Conquip with any queries.

# OPERATIONAL PROCEDURES

## IMPORTANT USAGE NOTES

- Do not unevenly load the Goods Cage.
- The Goods Cage must only be lifted by the designated four lifting points or the integral fork pockets.
- Make sure the new location is safe for personnel access before moving the load.

## USING WITH A CRANE

01. Load the cage using the access door or fold down ramp for access.
02. Secure the load if there is room for movement within the cage.
03. Once the supervisor is happy that the load is secure, balanced and does not exceed maximum loading weights, attach a suitable rated chain sling to the four lifting points at each of the corners of the cage.
04. Check that personnel are clear from the immediate area and the new location to allow for swing of the cage when lifting off the ground.
05. Crane or fork lift to location and lower onto a firm, stable, flat surface.
06. Unload the materials, using the door or ramp.

# MAINTENANCE & INSPECTION

## MAINTENANCE REGIME

- It is mandatory that the equipment is thoroughly examined regularly, by a qualified engineer, to ensure compliance with relevant regulations. Conquip recommend carrying out a thorough examination every six months.
- This equipment may incorporate various loose and detachable items including, but not limited to pins, bolt assemblies and adaption plates. Refer to the separate requirements for the safe use of those items.
- When not being used, store the unit in a clean, upright condition and in a safe place where it will be protected from thieves and unauthorised users.
- This equipment must be inspected by the responsible person before each use and then regularly, as determined by your risk assessment or working practice. If you have any concerns about the machinery's condition or suitability, do not use it.

## VISUAL INSPECTION CHECKLIST

INSPECTION ITEMS	RESULTS		COMMENTS
	SATISFACTORY	UNSATISFACTORY	
Serial Number			CQ.....
Product Code			
Working Load Limit (Kg)			
Conforms to user guide specification			
Lifting eyes bent/damaged			
Gate/ramp operation			
Gate/Ramp secure			
Spreader beam/door brace fitted			
Spreader beam/door brace secure			
Mesh/panel damage			
General visual inspection of the body			
<b>SIGNATURE</b>			
Name	Position	Qualification	Signature & Date



# GENERAL SAFETY INSTRUCTIONS

The equipment should be properly operated and maintained to keep it in a safe, efficient operating condition. Be sure that all fixings and components are free of mud or other matter that might cause issues hazardous to the operator, service personnel or other personnel or equipment. Report all malfunctions to those responsible for maintenance, and do not operate the equipment until corrected. Normal service or maintenance performed as required can prevent unexpected and unnecessary downtime.

This operations manual describes general inspections, servicing and operation with the normal safety precautions required for normal servicing and operating conditions. It is not a guide, however, for abnormal conditions or situations. Service personnel and operators must be safety conscious and alert to recognise potential servicing or operating safety hazards at all times, and take necessary precautions to assure safe servicing and operation of the equipment.



**M002**  
Refer to instructions manual



**M004**  
Wear eye protection



**M008**  
Wear safety footwear



**M009**  
Wear protective gloves



**M010**  
Wear protective clothing



**M014**  
Wear head protection



**M015**  
Wear high-visibility clothing

## GENERAL NOTES

- Read this operations manual and learn the operating characteristics and limitations of the equipment. Know what operating clearances the machine requires.
- Read and understand all the safety signs prior to operation.
- If the safety signs are obstructed by dirt or debris, clean them using mild soap and water prior to operation.
- If the safety signs are damaged or illegible, replace them immediately, prior to operation.
- Be aware of operating hazards that weather changes can create on the job. Know proper procedures to follow when a severe rain or electrical storm strikes.
- Never attempt to operate or work on machinery when not feeling physically fit.
- Never wear loose clothing, rings, watches, heavy gloves etc., that might catch and result in injury.
- Know what safety equipment (PPE) is required and use it. Such equipment may be: hard hat, safety glasses, reflector type vests, protective gloves and safety footwear.

# TERMS & CONDITIONS

## CONQUIP ENGINEERING GROUP STANDARD PRODUCT WARRANTY

### 01. COMMENCEMENT

1.1 This Warranty shall commence on the Commencement Date and shall continue until the earlier of:

- (a) the Expiry Date; or
- (b) the date on which it may be voided in accordance with clause 4.1(b)

when it shall terminate automatically without notice.

### 02. DUTY OF GOOD FAITH

2.1 The Purchaser shall in the exercise of its rights under this Warranty and in the compliance with its obligations under this Warranty be subject to and shall in all respects owe and comply with a duty of good faith to the Warrantor.

### 03. NATURE AND EXTENT OF COVER

3.1 Subject to clause 3.2 the Warrantor agrees and undertakes to the Purchaser that it shall be liable to the Purchaser under and in accordance with the terms of this Warranty in the event that:

- (a) prior to the Expiry Date the Purchaser shall notify a Warranty Claim to the Warrantor; and
- (b) the Equipment or any relevant part of the Equipment shall have become unusable as the result of defective material or defective workmanship prior to the Expiry Date.

3.2 The Warrantor's obligation under clause 3.1 shall be expressly subject to the provisions of clauses 4, 5 and 6 and conditional upon the Purchaser's compliance in full with the provisions of clause 7.

### 04. RESTRICTIONS

4.1 The following restrictions apply to this Warranty:

(a) This Warranty is personal to the Purchaser and neither the legal benefit nor legal burden of this warranty may be assigned or novated or otherwise transferred by the Purchaser to any other party. Any purported assignment, novation or transfer shall not be binding upon the Warrantor.

(b) This Warranty shall be void in the event that the Purchaser:

(i) cannot provide authentic and original documentary evidence that the Purchaser has during the period between the Commencement Date and the Expiry Date complied with the Maintenance and Servicing Requirements; and/or

(ii) has, during the period between the Commencement Date and the Expiry Date, exceeded the Purchaser's Usage Cycle Parameters; and/or

(iii) has, during the period between the Commencement Date and the Expiry Date, exceeded the Purchaser's Use Parameters; and/or

(iv) has carried out, or procured the carrying out by any third party of, any repair to the Equipment or any part of the Equipment which is not an Authorised Repair; and/or

(v) has operated the Equipment after having replaced any part of the Equipment with a part which has not been supplied and fitted by the Warrantor; and/or

(vi) has modified the Equipment in any way prior to use.

### 05. EXCLUSIONS

5.1 The following are excluded from the scope of this Warranty:

(a) Loss of and/ or damage to the Equipment or any part of it resulting from any collision between the Equipment and any other fixed or stationary or mobile object whatsoever, irrespective of whether that collision was or was not caused by the Purchaser; and/or

(b) Loss of and/or damage to any personal property and/or possessions or other equipment not forming part of the Equipment but which is present in or about the Equipment; and/or

(c) loss and/or damage which is covered by any other insurance policy taken out and maintained by the Purchaser or in respect of which the Purchaser has a contractual obligation to do so; and/or

(d) loss and/or damage to the equipment which is consistent with the use by the Purchaser of the Equipment:

(i) in compliance with the Maintenance and Servicing Requirements; and

(ii) in compliance with the Usage Cycle Parameters; and

(iii) in compliance with the Use Parameters; and

(iv) having only carried out Authorised Repairs to the Equipment; and

(v) having all and any replacement parts fitted by the Warrantor; and

(vi) in unmodified form.

## 06. LIMITATION OF LIABILITY

6.1 The Warrantor's liability to the Purchaser shall be limited as follows:

- (a) The Warrantor shall not in any circumstances be liable to the Purchaser for indirect and/or consequential and/or economic loss suffered and/or incurred as the case may be by the Purchaser; and
- (b) The Warrantor shall only be liable to the Purchaser for the reasonable and proper costs reasonably and properly incurred by the Purchaser directly in connection with the repair and/or replacement (at the Warrantor's absolute discretion) of the Equipment or any part of the Equipment; and
- (c) The Warrantor's liability to the Purchaser shall notwithstanding any other provision of this Warranty, not in any circumstances exceed the Purchase Price of the Equipment.

## 07. WARRANTY CLAIMS

7.1 The Purchaser shall in respect of any claim against the Warrantor under this Warranty and within 24 hours of the occurrence of the subject matter of the Warranty Claim:

- (a) Complete in full and submit to the Warrantor a Warranty Claim in the form annexed to Schedule 4;
- (b) Provide date stamped or date identifiable photographs evidencing the claim; and
- (c) Make the Equipment or the relevant part of the Equipment available to the Warrantor for inspection within 48 hours of notification of the relevant Warranty Claim.

## 08. ENTIRE AGREEMENT

8.1 This Warranty constitutes the entire agreement between the parties and supersedes and extinguishes all previous promises, assurances, warranties, representations and understandings between them, whether written or oral, relating to its subject matter.

8.2 Each party agrees that it shall have no remedies in respect of any statement, representation, assurance or warranty (whether made innocently or negligently) that is not set out in this Warranty. Each party agrees that it shall have no claim for innocent or negligent misrepresentation or negligent misstatement based on any statement in this Warranty.

No variation of this Warranty shall be effective unless it is in writing and signed by the parties (or their authorised representatives).

## 09. WAIVER

No failure or delay by a party to exercise any right or remedy provided under this Warranty or by law shall constitute a waiver of that or any other right or remedy, nor shall it prevent or restrict the further exercise of that or any other right or remedy. No single or partial exercise of such right or remedy shall prevent or restrict the further exercise of that or any other right or remedy.

## 10. SEVERANCE

10.1 If any provision or part-provision of this Warranty is or becomes invalid, illegal or unenforceable, it shall be deemed deleted, but that shall not affect the validity and enforceability of the rest of this Warranty.

10.2 If any provision or part-provision of this Warranty is deemed deleted under clause 10.1 the parties shall negotiate in good faith to agree a replacement provision that, to the greatest extent possible, achieves the intended commercial result of the original provision.

## 11. THIRD PARTY RIGHTS

11.1 This Warranty does not give rise to any rights under the Contracts (Rights of Third Parties) Act 1999 to enforce any term of this Warranty.

## 12. GOVERNING LAW

12.1 This Warranty and any dispute or claim (including non-contractual disputes or claims) arising out of or in connection with it or its subject matter or formation shall be governed by and construed in accordance with the law of England and Wales.

## 13. JURISDICTION

13.1 Each party irrevocably agrees that the courts of England and Wales shall have exclusive jurisdiction to settle any dispute or claim (including non-contractual disputes or claims) arising out of or in connection with this Warranty or its subject matter or formation.

# EC DECLARATION OF CONFORMITY

## IN ACCORDANCE WITH EN ISO 17050-1:2004

Declaration: As defined by the Machinery Directive 2006/42/EC and subsequent amendments

We, CONQUIP ENGINEERING GROUP, herewith declare that the following indicated equipment meets the fundamental health and safety requirements concerning the EU guideline(s), due to their design and manufacture.

This declaration will be rendered null and void if the machine is changed without our approval.

**SIGNED:**



**DATED: 2024**

Garry Critchley, Chief Executive Officer

PRODUCT CODES	GENERAL DESCRIPTION / DESIGNATION	WORKING LOAD LIMIT
CA118AL-01638	Small Goods Cage With Gate Access	3000kg
CA124AL-01658	Small Goods Cage With Ramp Access	
CA118AL-03277	Large Goods Cage Gate Access	
CA124AK-03277	Large Goods Cage Ramp Access (Short Side)	
CA124AL-03277	Large Goods Cage Ramp Access (Long Side)	

ITEM	CODE	DESCRIPTION
EC DIRECTIVE/REGULATION	2006/42/EC	Directive 2006/42/EC- new machinery directive
HARMONISED STANDARDS	BS EN ISO 12100:2010	Safety of machinery General principles for design Risk assessment and risk reduction
		The standard for cranes safety Non-fixed load lifting attachments
OTHER REGULATIONS	LOLER 1998	Lifting Operations and Lifting Equipment Regulations 1998 (LOLER)
	PUWER 1998	Provision and Use of Work Equipment Regulations 1998 (PUWER)

TALKING TO US IS EASY  
**WE'RE HERE TO HELP**

Call us on (02) 8844 4590  
Email us at [sales@conquipgroup.com.au](mailto:sales@conquipgroup.com.au)  
[www.cqegroup.com/au](http://www.cqegroup.com/au)

