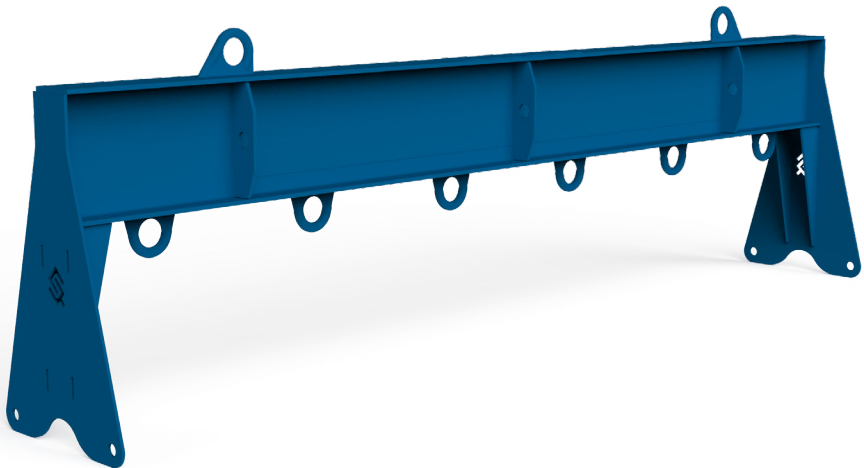


User Guide

# Lifting Beam



## Product Information

# Overview

---

The Conquip Lifting Beam has been designed to aid in lifting large and often heavy loads. The lifting beam distributes the load across multiple points to increase stability and to remove inward or crushing forces.

The beam has two attachment points on the top side of the beam for connecting to a crane or other lifting apparatus. On the underside there are multiple points to attach the item that needs to be lifted.

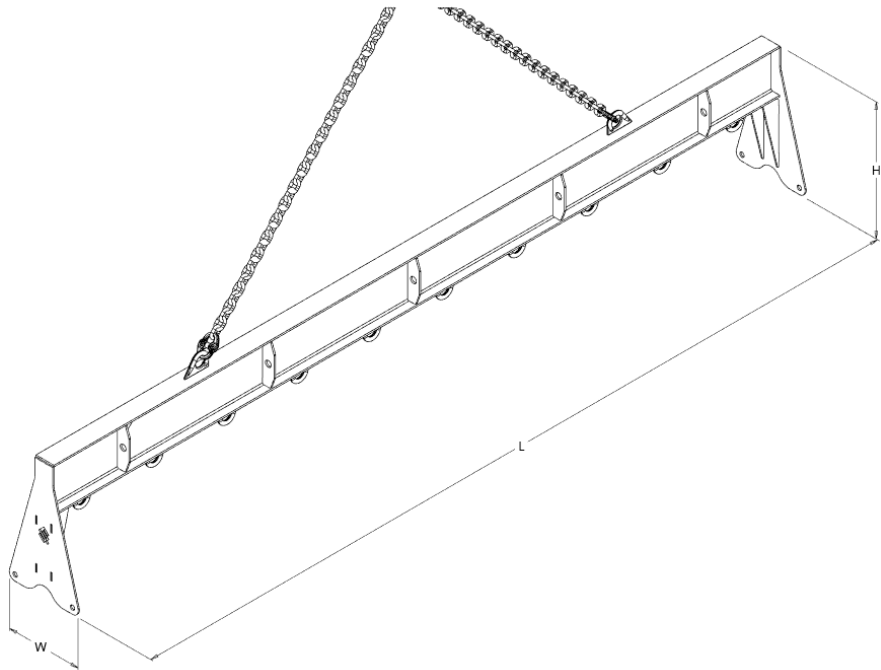
## Key Benefits

- Designed with a built in stand to prevent fouling of the hooks when landing the beam on the ground and to allow easy access to attached lifting chains and materials.
- Tested and certified to a Factor of Safety 2.
- Manufactured in the UK from quality British and EU steel.
- Multiple lifting eyes to work with a large variety of products.

# Product Information

## Specification

Item	Product Code
Lifting Beam 3m	CA233-05000
Lifting Beam 5m	CA235-05000
Lifting Beam 7m	CA237-05000



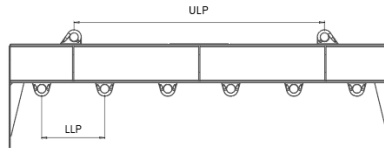
<sup>1</sup>Working Load Limit

Product Code	Height	Width	Length	Weight	WLL <sup>1</sup>	Lifting Points
CA233-05000	817mm	473mm	3000mm	170kg	5000kg	6
CA235-05000	817mm	473mm	5000mm	260kg	5000kg	10
CA237-05000	817mm	473mm	7000mm	350kg	5000kg	12

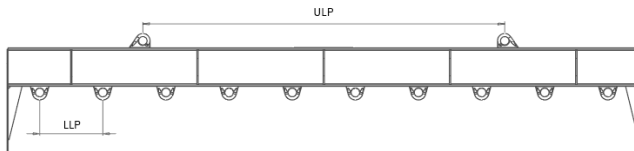
# Product Information

## Specification

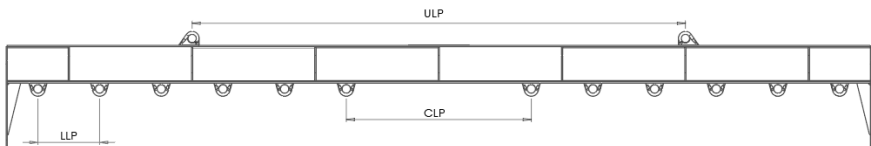
### Lifting Beam 3m



### Lifting Beam 5m



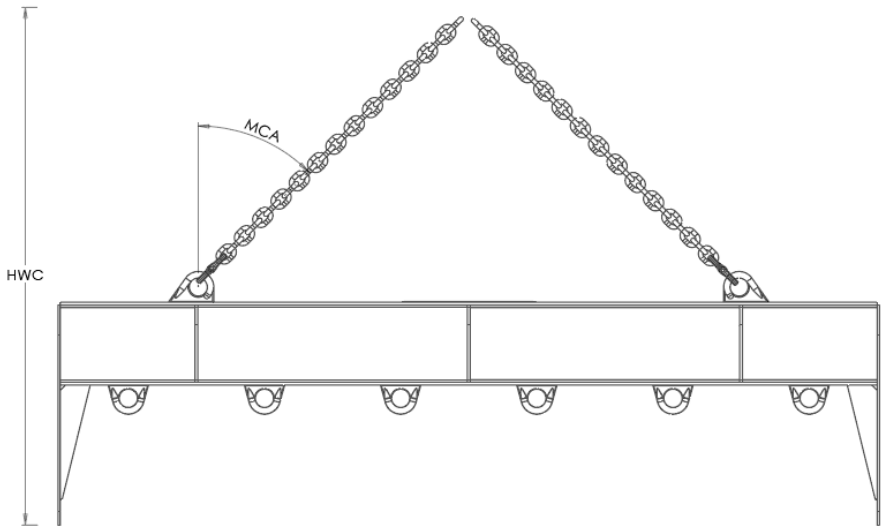
### Lifting Beam 7m



Product Code	Upper Lifting Points	Lower Lifting Points	Central Lifting Points
CA233-05000	1986mm	500mm	N/A
CA235-05000	2866mm	500mm	N/A
CA237-05000	4000mm	500mm	1500mm

# Product Information

## Specification



Product Code	Height with Chains	Maximum Chain Angle
CA233-05000	1900mm	45°
CA235-05000	2400mm	45°
CA237-05000	3000mm	45°

# Original Working Instructions

## Usage Instructions

---

### Important Usage Notes

- Ensure that all materials have the relevant capacity lifting chains attached before moving the lifting beam.
- Use tag lines to control long loads.
- Ensure the lifting beam is kept at a sensible height and is guided by a slinger/signaller at all times to avoid personnel injury.
- Ensure that the attachment points on the underside of the Lifting Beam are used correctly so that the beam is balanced when it is lifted high enough to be load bearing.
- Ensure that the materials or goods are being relocated to a place of stable, firm ground that can take the load of the materials and the Lifting Beam.
- Refer to the requirements of BS 7121: Part 1 when using beams with cranes in tandem.

### Using with Lifting Apparatus

1. Using the attachment points on the top of the Lifting Beam attach the relevant lifting chain.
2. Lift the lifting beam using the crane or suitable lifting apparatus. Move it to where the materials or goods are located.
3. Attach the materials or goods to the lifting beam using relevant lifting chains and safety accessories.
4. Using the crane or lifting apparatus transport the lifting beam and materials to the relevant place on site and place onto the ground.
5. Disconnect the lifting chains that are attached to the materials and goods and lift the Lifting Beam into place for the next lift.

# Original Working Instructions

## Safety Instructions

---

### Basic Safety

A site-specific Risk Assessment, and lift plan where applicable, must be completed by the responsible person before using this equipment to control risks, produce a safe system of work and ensure safety for you, your colleagues and others. Your risk assessment will determine the correct Personal Protective Equipment (PPE) for the task you are doing. You must use it. Conquip recommends that you should wear:

- Suitable clothing
- Gloves
- Hard hat
- Protective footwear (steel toecaps)
- Safety glasses



### Important Safety Notes

- Read these instructions before using this equipment. If there is anything you do not understand or if you have any concerns do not use this equipment. Contact your supervisor or Conquip Engineering Group for advice.
- You must check that you have considered all the safety requirements for the task you are doing and that this equipment is suitable.
- You must protect bystanders and the general public by preventing access to the working area.
- Do not use this equipment if you are tired, unwell or under the influence of alcohol or drugs. If you are taking any medicine or undergoing treatment you should inform your supervisor.

## Usage & Transportation

- Never unevenly load this equipment.
- The weight of the equipment, together with its attachments, must be added to the weight of the load when calculating the total load that will be imposed on the lifting apparatus / operating machine.
- This equipment must be used in conjunction with the load ratings of the lifting apparatus / operating machine. (Refer to the manufacturers' load ratings and original working instructions).
- Make sure you know how to use this equipment and understand all aspects of its operation in case of emergency.
- This equipment weighs more than 25kg. Do not lift or manhandle without machine assistance.
- Do not operate this equipment near overhead power lines.
- Take care in confined spaces, near ceilings or similar hazards. This equipment was designed for vertical lifting. Do not drag, or swing.
- Before operating this equipment, check that you have enough space for you to work safely and make sure that the working area is clear of hazards, obstructions and personnel.
- Before lowering equipment make sure that the landing zone is clear and capable of accepting the size and weight of the load.
- Crush Risk. Keep hands and feet clear of the equipment at all times to avoid injury.
- Do not exceed the maximum Working Load Limit (WLL) shown on the serial plate. Ensure that the WLL on the individual lift points is not exceeded.
- Before lifting, check that the load is secured, balanced and stable. Allow space for the equipment to move if the load shifts.

## Personnel

- All personnel must wear relevant personal protective equipment.
- Do not wear loose clothing or jewellery and tie back long hair to avoid becoming tangled or trapped in this equipment. You must make everyone in the work area aware of what you are doing.
- All personnel involved in the lifting operation must be competent to do so and must have been briefed in conjunction with this User Guide available from Conquip Engineering Group, the manufacturer.

## Equipment Maintenance & Cleaning

- It is mandatory that the equipment is thoroughly examined regularly, by a qualified engineer, to ensure compliance with relevant regulation/s. (Conquip recommend to carry out thorough examination every six months).
- This product may incorporate various loose and detachable items of lifting gear. Refer to the separate requirements for the safe use of those items.
- When not being used, store the unit in a clean, upright condition and in a safe place where it will be protected from thieves and unauthorised users.
- This equipment must be inspected by the responsible person before each use and then regularly, as determined by your risk assessment or working practice. If you have any concerns about condition or suitability do not use.



# Disclaimer

---

## Warranty

The products supplied by Conquip Engineering Group are all guaranteed by a 12 month warranty.

Apart from where exceptions apply, Conquip Engineering Group promises to repair or replace any fault which the Company considers to be due to defective material or workmanship within 12 months of the date of sale, at no additional cost.

- Faults arising from unauthorised alterations (see modifications section below for full details).
- Damage caused by abuse, neglect, misuse or falling.
- Damage caused because of failure to follow transportation, storage, loading, cleaning or operating instructions.
- Replacement or repair of components due to fair wear and tear.
- Any consequential damage or wear arising from the use or fitting of additional or non-standard parts.

## Modifications

If any third-party modifications or alterations, involving drilling, welding, cutting or distortion of materials in any form, are to be carried out on the product, Conquip Engineering Group must provide full written approval prior to the work being carried out.

Alterations, modifications, additions or repairs must be carried out by Conquip Engineering Group's recognised distributors, if they are not carrying out the work themselves.

Conquip Engineering Group operate a continuous improvement policy and therefore reserve the right to alter technical specifications and user guide details at any point without notice.

Conquip Engineering Group will not cover or reimburse any transportation and/or shipment costs to and from their premises or their recognised agents, or any material and/or labour costs for repair, replacement or assessment against a warranty claim.

Conquip Engineering Group and/or their directors, employees, insurers or recognised agents will not be held liable for consequential damages, losses or expenses relating to the inability to use the product correctly for its purpose.

## Important Notes

- This User Guide is for this Conquip product only.
- Any movements of the product must be thoroughly planned before the work commences to identify potential hazards and assess risk.
- All personnel involved in lifting and transportation of this product must have read this User Guide and must be properly briefed.
- You must be competent, alert and medically fit when using this equipment. If you have a medical condition, a mental or physical disability, you must seek advice from a medical professional before using this equipment.

Talking to us is easy

**We're here to help**

Call us on 0800 116 076

Email us at [sales@conquipgroup.co.nz](mailto:sales@conquipgroup.co.nz)

[www.conquipgroup.co.nz](http://www.conquipgroup.co.nz)