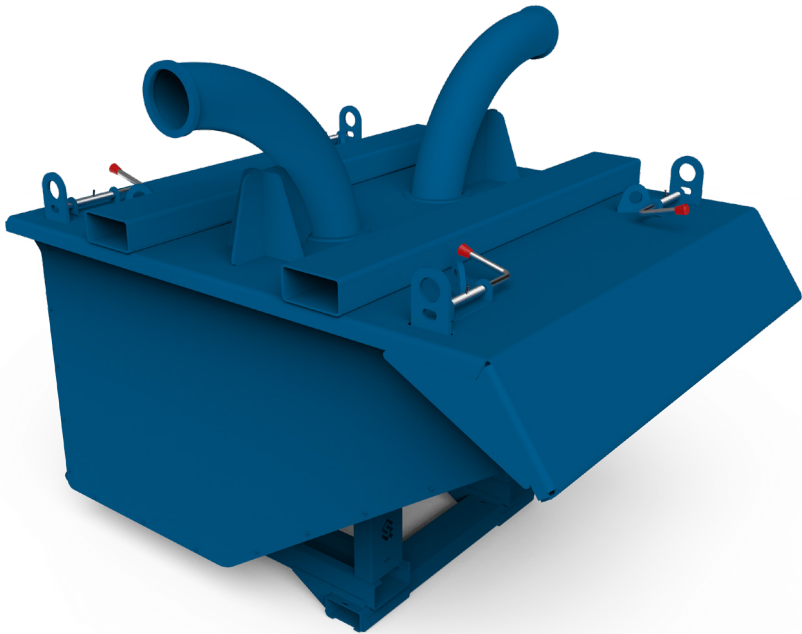


User Guide

Autolock Blowout Skip



Product Information

Overview

The Conquip Autolock Blowout Skip is a safe and simple way of facilitating blowout of concrete pump lines. Enabling blowout directly to a skip allows the concrete in the pump line to be transported and used to complete the pour rather than letting it go to waste.

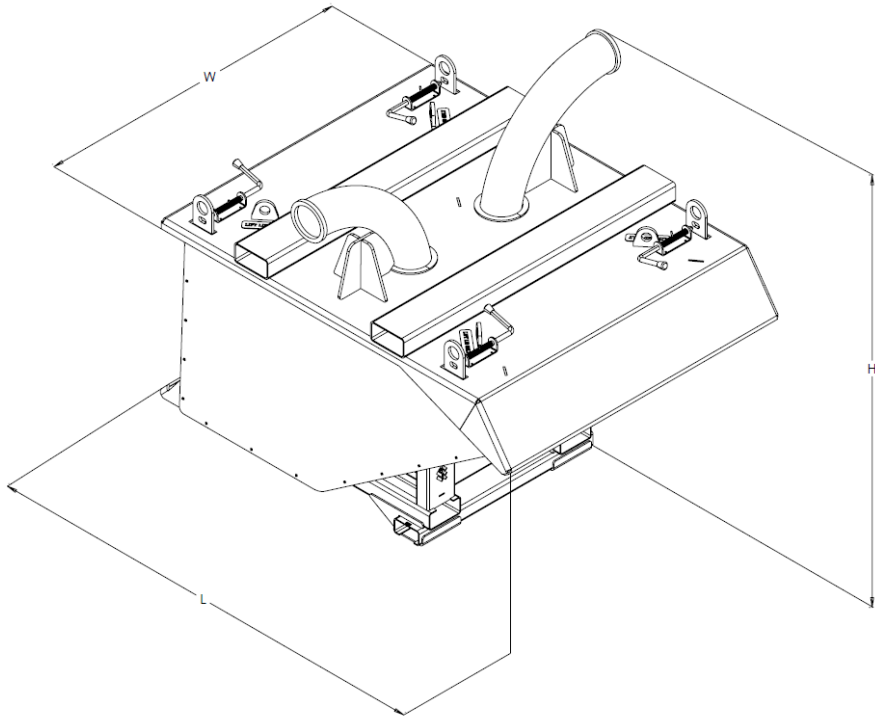
Key Benefits

- Concrete pump lines can also be cleaned through directly into the concrete washout system and waste water can be reused.
- Complete with crane lifting points on the skip to enable easy manoeuvrability of the concrete in the skip to higher locations for pouring.
- The Blowout skip cover has fork pockets and crane lifting points to easily remove it from the skip.
- Complete with locking arms to prevent the cover from moving when blowout is taking place or when in transportation.
- Autolock Tipping Skip design with gas assisted ram ensures automatic locking of the skip to the forks and prevents accidental tipping of the skip.

Product Information

Specification

Item	Product Code
Autolock Blowout Skip	CS235AC-01200



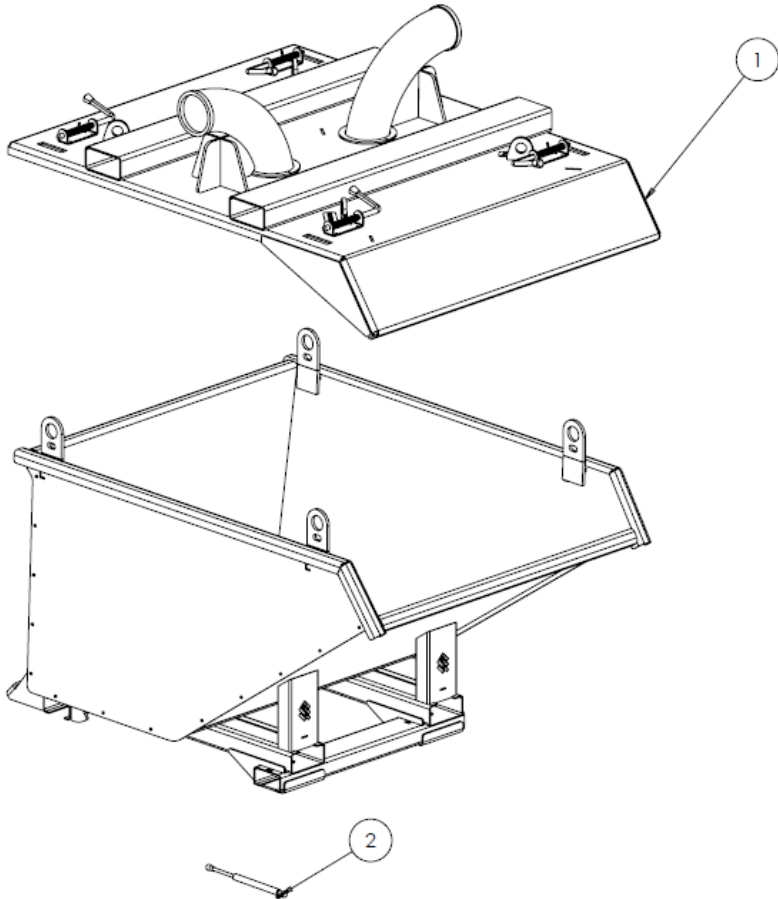
¹Working Load Limit

Height	Width	Length	Weight	Lid Weight	WLL ¹	Capacity
1450mm	1450mm	1925mm	515kg	225kg	3600kg	1200 litre

Product Information

Parts Diagram

Autolock Blowout Skip



*Serialised part

NOTE: These parts are for this model, they may differ for previous versions. Please contact Conquip with any queries.

Item Number	Part Number	Description	Quantity
1	CS238-01200*	Blowout Lid	1
2	ZZ110015	Gas Strut	1

Original Working Instructions

Usage Instructions

Important Usage Notes

- There may be more concrete in the line than the skip can take.
- Follow safe usage instructions of the concrete pump to ensure that the line is blown through steadily and does not discharge more concrete than the skip can take.
- Before using the concrete pump, refer to the manufacturers safety and usage instructions for best practice use. These instructions for 'blowout' are only a guide.
- When attaching to lifting equipment, always use a suitably rated certified four leg lifting chain and ensure that the hook's gate is correctly closed and the lifting eye is seated correctly in the hook.
- When lifting, the slinger/ signaller must be positioned away from the skip and should remain visible to the driver of the lifting apparatus.

Usage Instructions

1. Fit the Autolock Blowout cover to the 'mouth' of the Autolock skip using either a forklift or crane, or other suitable lifting apparatus to lift and place the cover over the skip, ensuring the lifting points of the skip protrude through the cut out slots on the cover.
2. If using a forklift, drive the forks fully into the fork pockets of the cover and raise and manoeuvre as required.
3. If using a crane, or similar, attach a suitably rated four leg lifting chain to the four lifting points of the cover, and attach the chain to the lifting apparatus. Lift and manoeuvre as required.
4. Once the cover is in place, secure onto the skip using the spring loaded shoot bolts. Pull the shoot bolts back and release through the lower holes of the skip crane lifting points.
5. Once the cover is securely locked onto the skip, guide the concrete pump placing boom to one of the concrete blowout pipe and clamp it to the circular ring.
6. Following safe usage instructions of the pump, blow the concrete pump line through and discharge remaining concrete into the skip.
7. Disconnect the placing boom, unlock and remove the cover and remove the bung ('pig') from the skip.

Original Working Instructions

Usage Instructions

Continued

8. Replace the cover before transporting the skip, by forklift or crane, or other suitable lifting apparatus, to where the concrete is required.
9. This can also be used to clean the concrete pump line with water, or using the best practice method suggested by the concrete pump manufacturer, in the same way as the blowout was carried out.
10. When blowout and cleaning of the pump line is complete, the cover can be removed and the skip and the Autolock Blowout cover and skip must be cleaned and concrete removed.

Original Working Instructions

Safety Instructions

Basic Safety

A site-specific Risk Assessment, and lift plan where applicable, must be completed by the responsible person before using this equipment to control risks, produce a safe system of work and ensure safety for you, your colleagues and others. Your risk assessment will determine the correct Personal Protective Equipment (PPE) for the task you are doing. You must use it. Conquip recommends that you should wear:

- Suitable clothing
- Gloves
- Hard hat
- Protective footwear (steel toecaps)
- Safety glasses



Important Safety Notes

- Read these instructions before using this equipment. If there is anything you do not understand or if you have any concerns do not use this equipment. Contact your supervisor or Conquip Engineering Group for advice.
- You must check that you have considered all the safety requirements for the task you are doing and that this equipment is suitable.
- You must protect bystanders and the general public by preventing access to the working area.
- Do not use this equipment if you are tired, unwell or under the influence of alcohol or drugs. If you are taking any medicine or undergoing treatment you should inform your supervisor.

Usage & Transportation

- Never unevenly load this equipment.
- The weight of the equipment, together with its attachments, must be added to the weight of the load when calculating the total load that will be imposed on the lifting apparatus / operating machine.
- This equipment must be used in conjunction with the load ratings of the lifting apparatus / operating machine. (Refer to the manufacturers' load ratings and original working instructions).
- Make sure you know how to use this equipment and understand all aspects of its operation in case of emergency.
- This equipment weighs more than 25kg. Do not lift or manhandle without machine assistance.
- Do not operate this equipment near overhead power lines.
- Take care in confined spaces, near ceilings or similar hazards. This equipment was designed for vertical lifting. Do not drag, or swing.
- Before operating this equipment, check that you have enough space for you to work safely and make sure that the working area is clear of hazards, obstructions and personnel.
- Before lowering equipment make sure that the landing zone is clear and capable of accepting the size and weight of the load.
- Crush Risk. Keep hands and feet clear of the equipment at all times to avoid injury.
- Do not exceed the maximum Working Load Limit (WLL) shown on the serial plate. Ensure that the WLL on the individual lift points is not exceeded.
- Before lifting, check that the load is secured, balanced and stable. Allow space for the equipment to move if the load shifts.
- Manoeuvre loaded or raised equipment carefully. Travel and turn slowly to avoid unit becoming unstable.

Personnel

- All personnel must wear relevant personal protective equipment.
- Do not wear loose clothing or jewellery and tie back long hair to avoid becoming tangled or trapped in this equipment. You must make everyone in the work area aware of what you are doing.
- All personnel involved in the lifting operation must be competent to do so and must have been briefed in conjunction with this User Guide available from Conquip Engineering Group, the manufacturer.

Equipment Maintenance & Cleaning

- It is mandatory that the equipment is thoroughly examined regularly, by a qualified engineer, to ensure compliance with relevant regulation/s. (Conquip recommend to carry out thorough examination every six months).
- This product may incorporate various loose and detachable items of lifting gear. Refer to the separate requirements for the safe use of those items.
- When not being used, store the unit in a clean, upright condition and in a safe place where it will be protected from thieves and unauthorised users.
- This equipment must be inspected by the responsible person before each use and then regularly, as determined by your risk assessment or working practice. If you have any concerns about condition or suitability do not use.

Disclaimer

Warranty

The products supplied by Conquip Engineering Group are all guaranteed by a 12 month warranty.

Apart from where exceptions apply, Conquip Engineering Group promises to repair or replace any fault which the Company considers to be due to defective material or workmanship within 12 months of the date of sale, at no additional cost.

- Faults arising from unauthorised alterations (see modifications section below for full details).
- Damage caused by abuse, neglect, misuse or falling.
- Damage caused because of failure to follow transportation, storage, loading, cleaning or operating instructions.
- Replacement or repair of components due to fair wear and tear.
- Any consequential damage or wear arising from the use or fitting of additional or non-standard parts.

Modifications

If any third-party modifications or alterations, involving drilling, welding, cutting or distortion of materials in any form, are to be carried out on the product, Conquip Engineering Group must provide full written approval prior to the work being carried out.

Alterations, modifications, additions or repairs must be carried out by Conquip Engineering Group's recognised distributors, if they are not carrying out the work themselves.

Conquip Engineering Group operate a continuous improvement policy and therefore reserve the right to alter technical specifications and user guide details at any point without notice.

Conquip Engineering Group will not cover or reimburse any transportation and/or shipment costs to and from their premises or their recognised agents, or any material and/or labour costs for repair, replacement or assessment against a warranty claim.

Conquip Engineering Group and/or their directors, employees, insurers or recognised agents will not be held liable for consequential damages, losses or expenses relating to the inability to use the product correctly for its purpose.

Important Notes

- This User Guide is for this Conquip product only.
- Any movements of the product must be thoroughly planned before the work commences to identify potential hazards and assess risk.
- All personnel involved in lifting and transportation of this product must have read this User Guide and must be properly briefed.
- You must be competent, alert and medically fit when using this equipment. If you have a medical condition, a mental or physical disability, you must seek advice from a medical professional before using this equipment.

Talking to us is easy

We're here to help

Call us on 0800 116 076

Email us at sales@conquipgroup.co.nz

www.conquipgroup.co.nz

Copyright © 2021 SafeSmart Access in partnership with Conquip. All Rights Reserved.

Autolock Blowout Skip User Guide - Issue 2