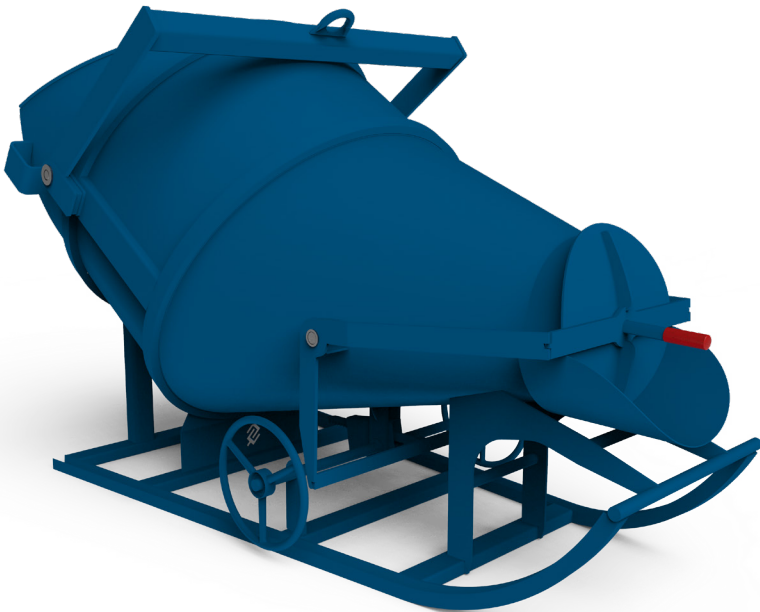


User Guide

Concrete Coneflow Skip



Product Information

Overview

The Conquip Concrete Coneflow Skip is a general purpose skip for fast and accurate placing of concrete. It is designed to lay down when being filled, and can be either geared or levered opening for easy flow.

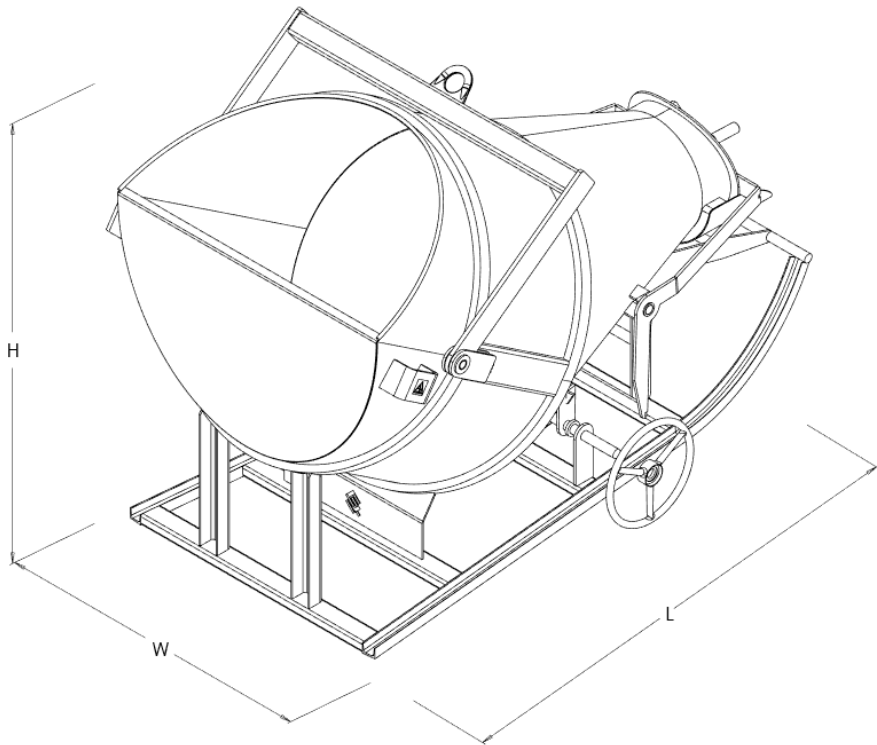
Key Benefits

- Cone shape for easy, accurate pouring of concrete.
- Option of either geared or levered for easy concrete flow.
- Skip lays horizontal when being filled, then returns to vertical position for pouring when lifted.

Product Information

Specification

Item	Product Code
Concrete Coneflow Skip 500	CS206-00500
Concrete Coneflow Skip 750	CS206-00750
Concrete Coneflow Skip 1000	CS206-01000



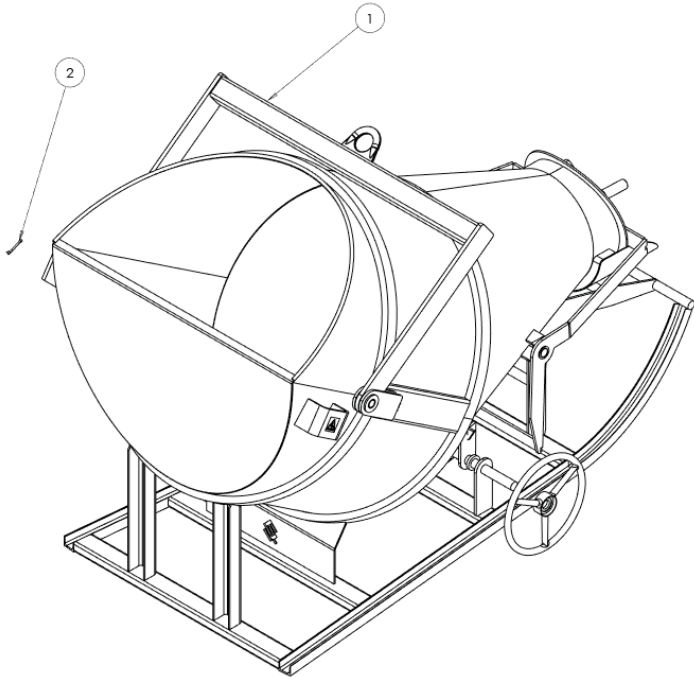
¹Working Load Limit

Product Code	Height	Width	Length	Length with bale	Weight	WLL ¹	Capacity
CS206-00500	1450mm	1200mm	1000mm	2300mm	170kg	1500kg	500 litre
CS206-00750	1600mm	1200mm	1100mm	2550mm	300kg	2250kg	750 litre
CS206-01000	2290mm	1510mm	1240mm	2790mm	400kg	3000kg	1000 litre

Product Information

Parts Diagram

Concrete Coneflow Skip



NOTE: These parts are for this model, they may differ for previous versions. Please contact Conquip with any queries.

Item Number	Part Number	Description	Quantity
	ZZ370006	Bale Arm for CA206-00500	
1	ZZ370011	Bale Arm for CA206-00750	1
	ZZ370021	Bale Arm for CA206-01000	
2	ZZ960027	5mm Split Pin	2

Original Working Instructions

Usage Instructions

Important Usage Notes

- The bale arm must be secured against dropping / swinging down whenever the unit is not in use. This includes during transportation to and from site and when loading and unloading from any vehicle.
- The securing chain should be attached when the unit is in its horizontal position and the bale arm is raised by the attached lifting equipment.
- Tag lines should be used but only to allow for light manoeuvring.
- The bale arm should not be lifted by hand, do not attempt to lift manually.
- It is recommended that you apply skip wax to the skip to assist cleaning. This is available from Conquip.

Usage Instructions

1. Attach the lifting apparatus' hook to the skip's bale arm lifting point. Always ensure that the hook's gate is correctly closed and the bale arm is seated correctly in the hook.
2. Ensure the skip's flow gate is fully closed and secured.
3. Raise the Concrete Coneflow Skip and carefully manoeuvre to concrete filling location.
4. Lower the skip to the ground with the mouth of the skip nearest the concrete lorry. When the roll frame comes into contact with the ground, it will assist the skip into a horizontal position.
5. When the skip is in its lowered position, resting on the roll frame, lower the bale arm forward, out of the way of the large opening.
6. Fill the skip at the hopper end with concrete until the skip is full and the load is level. The skip can now be raised and moved to where it is required.
7. To aid manoeuvring, attach control tag to the skip.
8. Carefully raise the skip just off the ground and check for balance and security.
9. Carefully move the load to its required position. Move slowly and carefully; do not jolt the load.
10. When in position, lower the load until suspended above the discharge point.

Original Working Instructions

Usage Instructions

Continued

11. With the skip still suspended by the crane, carefully open the gate by turning the gear or depressing the lever, whichever is relevant for the skip type. Only open the gate sufficiently to allow the load to empty.
12. When discharge is complete, close the flow gate fully and secure.
13. With the skip empty and free of any load, lower it to the ground into the horizontal position with the bale arm in its lowered, safe position.
14. After use ensure the skip is thoroughly washed out (see cleaning instructions below).
15. Once thoroughly cleaned and no longer required, ensure the bale arm is in its safe, lowered position, release the lifting apparatus' hook and move it clear.

Cleaning Instructions

1. The skip must be cleaned of all remaining concrete at the end of each work session, or more frequently if required. There can be no excuse for the unit to fail because of hard concrete residue.
2. Thorough cleaning can be achieved if the gate control spring is disconnected, this will allow you to open the gate fully for hosing down. Always take extreme caution when releasing the gate control. Do not tie the gate control lever in the open position.
3. Once thoroughly cleaned, the spring must be re-fitted to keep the gate closed. If you do not, concrete residue may set in the gate blade channels that will foul its operation.

Original Working Instructions

Safety Instructions

Basic Safety

A site-specific Risk Assessment, and lift plan where applicable, must be completed by the responsible person before using this equipment to control risks, produce a safe system of work and ensure safety for you, your colleagues and others. Your risk assessment will determine the correct Personal Protective Equipment (PPE) for the task you are doing. You must use it. Conquip recommends that you should wear:

- Suitable clothing
- Gloves
- Hard hat
- Protective footwear (steel toecaps)
- Safety glasses



Important Safety Notes

- Read these instructions before using this equipment. If there is anything you do not understand or if you have any concerns do not use this equipment. Contact your supervisor or Conquip Engineering Group for advice.
- You must check that you have considered all the safety requirements for the task you are doing and that this equipment is suitable.
- You must protect bystanders and the general public by preventing access to the working area.
- Do not use this equipment if you are tired, unwell or under the influence of alcohol or drugs. If you are taking any medicine or undergoing treatment you should inform your supervisor.

Usage & Transportation

- Never unevenly load this equipment.
- The weight of the equipment, together with its attachments, must be added to the weight of the load when calculating the total load that will be imposed on the lifting apparatus / operating machine.
- This equipment must be used in conjunction with the load ratings of the lifting apparatus / operating machine. (Refer to the manufacturers' load ratings and original working instructions).
- Make sure you know how to use this equipment and understand all aspects of its operation in case of emergency.
- This equipment weighs more than 25kg. Do not lift or manhandle without machine assistance.
- Do not operate this equipment near overhead power lines.
- Take care in confined spaces, near ceilings or similar hazards. This equipment was designed for vertical lifting. Do not drag, or swing.
- Before operating this equipment, check that you have enough space for you to work safely and make sure that the working area is clear of hazards, obstructions and personnel.
- Before lowering equipment make sure that the landing zone is clear and capable of accepting the size and weight of the load.
- Crush Risk. Keep hands and feet clear of the equipment at all times to avoid injury.
- Do not exceed the maximum Working Load Limit (WLL) shown on the serial plate. Ensure that the WLL on the individual lift points is not exceeded.
- Before lifting, check that the load is secured, balanced and stable. Allow space for the equipment to move if the load shifts.

Personnel

- All personnel must wear relevant personal protective equipment.
- Do not wear loose clothing or jewellery and tie back long hair to avoid becoming tangled or trapped in this equipment. You must make everyone in the work area aware of what you are doing.
- All personnel involved in the lifting operation must be competent to do so and must have been briefed in conjunction with this User Guide available from Conquip Engineering Group, the manufacturer.

Equipment Maintenance & Cleaning

- It is mandatory that the equipment is thoroughly examined regularly, by a qualified engineer, to ensure compliance with relevant regulation/s. (Conquip recommend to carry out thorough examination every six months).
- This product may incorporate various loose and detachable items of lifting gear. Refer to the separate requirements for the safe use of those items.
- When not being used, store the unit in a clean, upright condition and in a safe place where it will be protected from thieves and unauthorised users.
- This equipment must be inspected by the responsible person before each use and then regularly, as determined by your risk assessment or working practice. If you have any concerns about condition or suitability do not use.

Disclaimer

Warranty

The products supplied by Conquip Engineering Group are all guaranteed by a 12 month warranty.

Apart from where exceptions apply, Conquip Engineering Group promises to repair or replace any fault which the Company considers to be due to defective material or workmanship within 12 months of the date of sale, at no additional cost.

- Faults arising from unauthorised alterations (see modifications section below for full details).
- Damage caused by abuse, neglect, misuse or falling.
- Damage caused because of failure to follow transportation, storage, loading, cleaning or operating instructions.
- Replacement or repair of components due to fair wear and tear.
- Any consequential damage or wear arising from the use or fitting of additional or non-standard parts.

Modifications

If any third-party modifications or alterations, involving drilling, welding, cutting or distortion of materials in any form, are to be carried out on the product, Conquip Engineering Group must provide full written approval prior to the work being carried out.

Alterations, modifications, additions or repairs must be carried out by Conquip Engineering Group's recognised distributors, if they are not carrying out the work themselves.

Conquip Engineering Group operate a continuous improvement policy and therefore reserve the right to alter technical specifications and user guide details at any point without notice.

Conquip Engineering Group will not cover or reimburse any transportation and/or shipment costs to and from their premises or their recognised agents, or any material and/or labour costs for repair, replacement or assessment against a warranty claim.

Conquip Engineering Group and/or their directors, employees, insurers or recognised agents will not be held liable for consequential damages, losses or expenses relating to the inability to use the product correctly for its purpose.

Important Notes

- This User Guide is for this Conquip product only.
- Any movements of the product must be thoroughly planned before the work commences to identify potential hazards and assess risk.
- All personnel involved in lifting and transportation of this product must have read this User Guide and must be properly briefed.
- You must be competent, alert and medically fit when using this equipment. If you have a medical condition, a mental or physical disability, you must seek advice from a medical professional before using this equipment.

Talking to us is easy
We're here to help

Call us on 0800 116 076
Email us at sales@conquipgroup.co.nz
www.cqegroup.co.nz