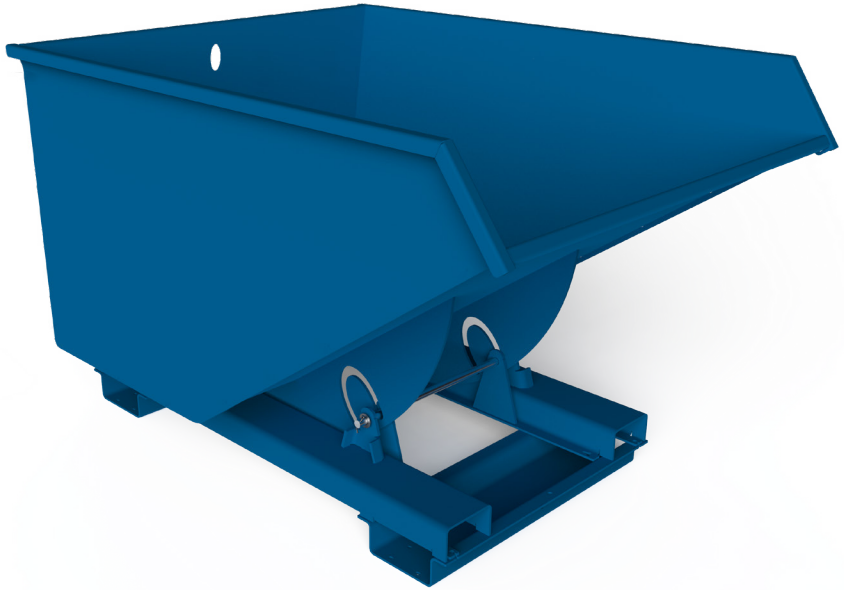


User Guide

# Forklift Tipping Skip



## Product Information

### Overview

---

The Conquip Forklift Tipping Skip is the choice for many contractors and leading plant companies, for moving materials and waste on site.

Its heavy-duty design and rugged construction means it can withstand the most rigorous site conditions.

The skip automatically tips and returns to discharge its load, controlled by a release lever. The skip comes complete with a safety restraint chain as standard, protected catch mechanism and side fork entry pockets for manoeuvrability.

### Key Benefits

- Standard width fork pockets reduces the need for adjustment of forks.
- The narrow design of the 500 litres model ensures it can fit through a standard width doorway.
- Side entry fork pockets for manoeuvrability.
- Designed and manufactured in the UK from British and European steel.

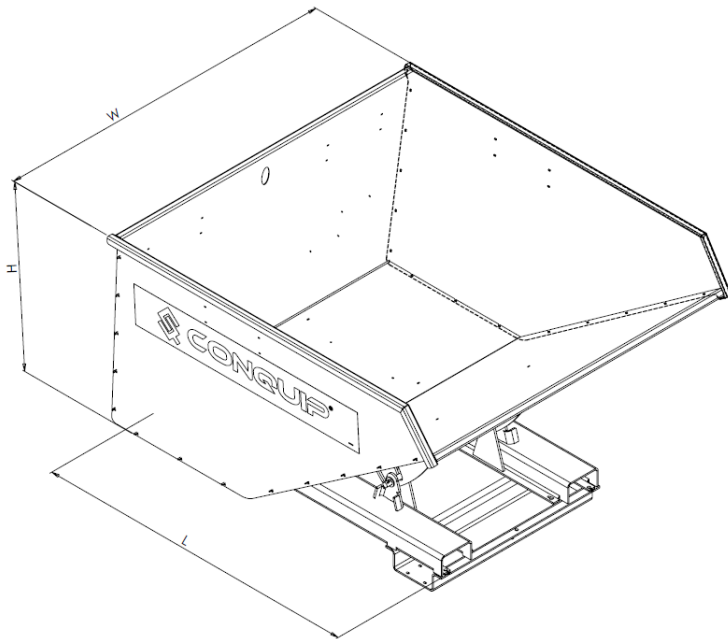
### Customisation Options

- Can be fitted with a heel pin restraint.
- Painted in the Institute of Civil Engineers standard colours of your choice (see colour chart below).
- Crane lift model available.
- Steering handle.
- Available with standard or polyurethane castor wheels (these consist of two fixed wheels for the front and two swivel wheels for the rear).
- Customer branding.
- Available fitted with a steel lid.

# Product Information

## Specification

Item	Product Code
Forklift Tipping Skip 500	FA803AO-00500
Forklift Tipping Skip 750	FA803AO-00750
Forklift Tipping Skip 1200	FA803AL-01200
Forklift Tipping Skip 1500	FA803AL-01500



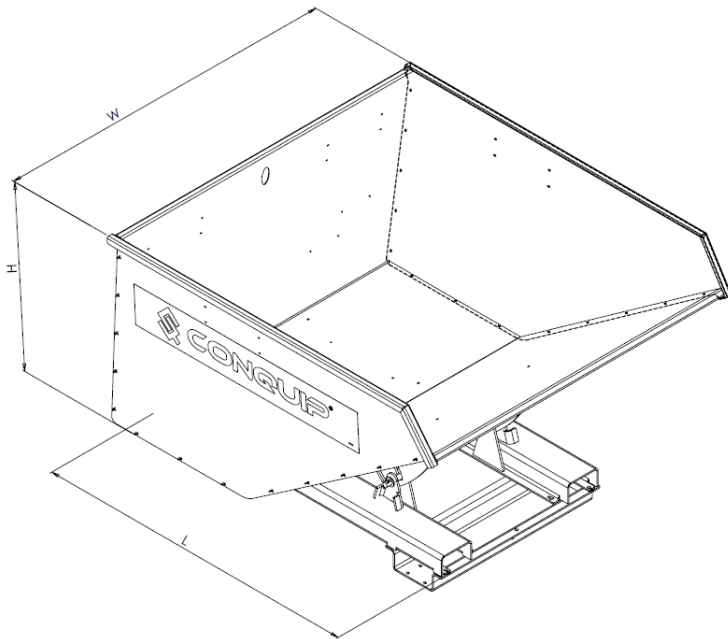
<sup>1</sup>Working Load Limit

Product Code	Height	Width	Length	Weight	WLL <sup>1</sup>	Capacity	Fork Pockets
FA803AO-00500	990mm	740mm	1463mm	180kg	1000kg	500 litres	138 x 70mm
FA803AO-00750	990mm	1100mm	1463mm	190kg	1500kg	750 litres	138 x 70mm
FA803AL-01200	1070mm	1225mm	1714mm	220kg	2000kg	1200 litres	138 x 70mm
FA803AL-01500	1070mm	1495mm	1715mm	235kg	2000kg	1500 litres	138 x 70mm

# Product Information

## Specification

Item	Product Code
Forklift Tipping Skip 500 with Lifting Eyes	CA111AL-00500
Forklift Tipping Skip 750 with Lifting Eyes	CA111AL-00750
Forklift Tipping Skip 1200 with Lifting Eyes	CA111AL-01200
Forklift Tipping Skip 1500 with Lifting Eyes	CA111AL-01500



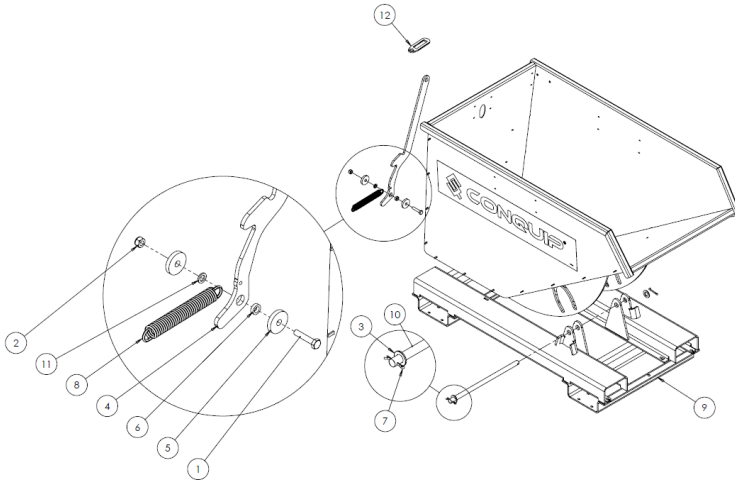
<sup>1</sup>Working Load Limit

Product Code	Height	Width	Length	Weight	WLL <sup>1</sup>	Capacity	Fork Pockets
CA111AL-00500	1105mm	740mm	1463mm	180kg	1000kg	500 litres	138 x 70mm
CA111AL-00750	1105mm	1100mm	1463mm	190kg	1000kg	750 litres	138 x 70mm
CA111AL-01200	1185mm	1225mm	1714mm	220kg	1000kg	1200 litres	138 x 70mm
CA111AL-01500	1185mm	1495mm	1715mm	235kg	1000kg	1500 litres	138 x 70mm

# Product Information

## Parts Diagram

### Forklift Tipping Skip 500 / 750 (incl with Lifting Eyes)



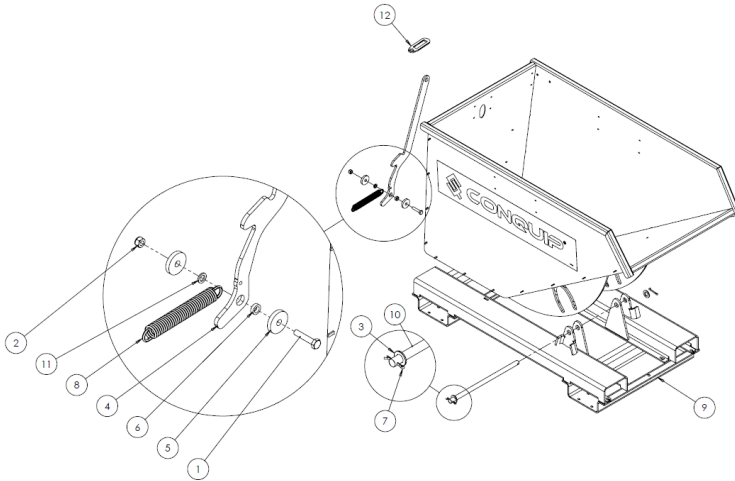
NOTE: These parts are for this model, they may differ for previous versions. Please contact Conquip with any queries.

Item Number	Part Number	Description	Quantity
1	NS800715	M10 x 50 Hex Head Set Screw	1
2	NS800013	M10 Nyloc Nut	1
3	NS800668	M20 Washer	2
4	ZZ110143	Lever	1
5	ZZ960044	Washer 8 x 45(OD) x 12.5(ID)mm	2
6	ZZ960045	Washer 6 x 20(OD) x 12.5(ID)mm	1
7	ZZ960027	Split Pin 5 x 45mm	2
8	ZZ110000	Tipping Skip Spring	1
9	ZZ110146	Tipping Skip Base 400 / 500 / 750 litres	1
10	ZZ110129	Pivot Pin 20 x 438mm	1
11	ZZ960081	Washer 2.5 x 20(OD) x 12.5(ID)mm	1
12	ZZ110005	Tipping Skip Locking Handle	1
Not drawn	ZZ110008	Safety Restraint Chain	1

# Product Information

## Parts Diagram

### Forklift Tipping Skip 1200 / 1500 (incl with Lifting Eyes)



NOTE: These parts are for this model, they may differ for previous versions. Please contact Conquip with any queries.

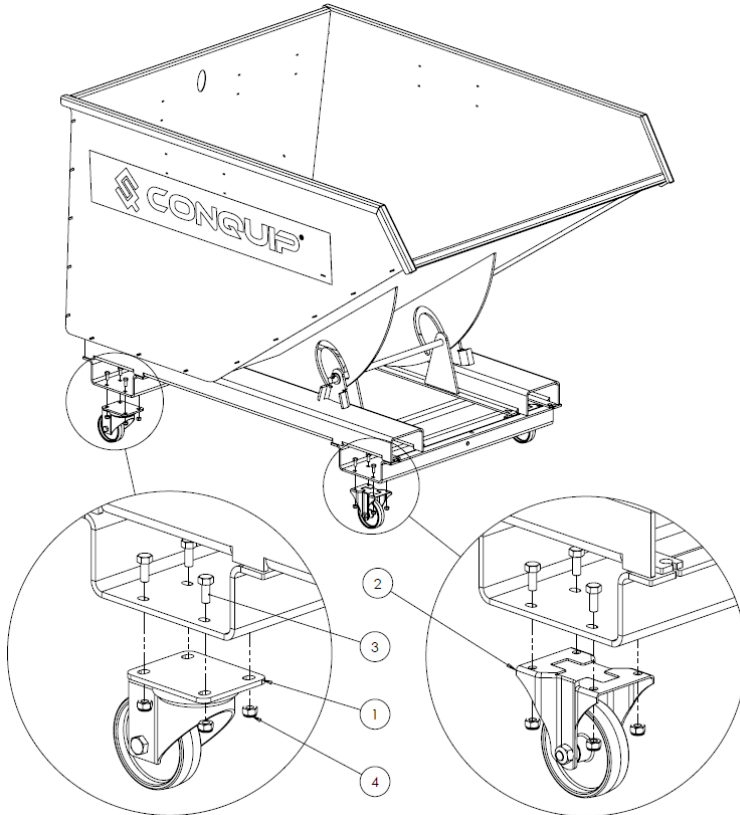
Item Number	Part Number	Description	Quantity
1	NS800715	M10 x 50 Hex Head Set Screw	1
2	NS800013	M10 Nyloc Nut	1
3	NS800668	M20 Washer	2
4	ZZ110145	Lever	1
5	ZZ960044	Washer 8 x 45(OD) x 12.5(ID)mm	2
6	ZZ960045	Washer 6 x 20(OD) x 12.5(ID)mm	1
7	ZZ960027	Split Pin 5 x 45mm	2
8	ZZ110000	Tipping Skip Spring	1
9	ZZ110147	Tipping Skip Base 1200 / 1500 litres	1
10	ZZ110115	Pivot Pin 20 x 600mm	1
11	ZZ960081	Washer 2.5 x 20(OD) x 12.5(ID)mm	1
12	ZZ110005	Tipping Skip Locking Handle	1
Not drawn	ZZ110008	Safety Restraint Chain	1

# Product Information

## Parts Diagram

### Optional Castor Wheels

Tipping Skip height is increased by 130mm when fitted with castor wheels.



NOTE: These parts are for this model, they may differ for previous versions. Please contact Conquip with any queries.

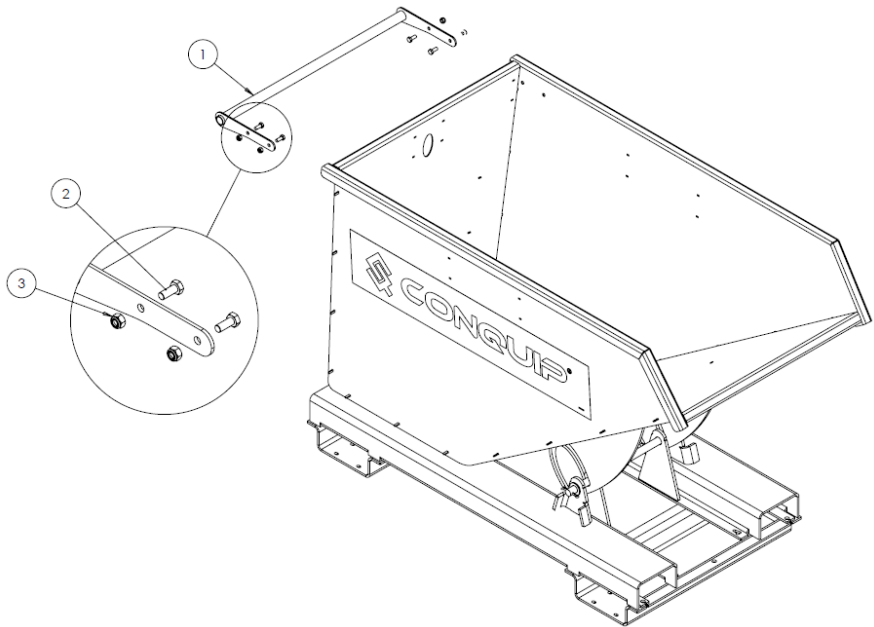
Item Number	Part Number	Description	Quantity
1	ZZ110013	Swivel Cast Iron Castor Wheel 100mm Ø	2
2	ZZ110012	Fixed Cast Iron Castor Wheel 100mm Ø	2
3	NS800160	M8 x 20mm Hex Head Set Screw	16
4	NS800011	M8 Nyloc Nut	16

# Product Information

## Parts Diagram

### Optional Handle

Handle is an optional extra for the 500 litres model only.



NOTE: These parts are for this model, they may differ for previous versions. Please contact Conquip with any queries.

Item Number	Part Number	Description	Quantity
1	ZZ110131	Handle	1
2	NS800160	M8 x 20mm Hex Head Set Screw	1
3	NS800011	M8 Nyloc Nut	2



# Original Working Instructions

## Usage Instructions

---

### Important Usage Notes

- Only lift and move the skip if the load is level.
- Always ensure that the skip is restrained to the operating machine.
- Make sure that any site operatives are clear of the loading/unloading area and everyone stands well clear when tipping.
- If using a crane lift skip, the 4-leg sling must be disconnected from the lifting points before tipping.

### Assembly Instructions

Castor wheels are available as an additional item. These allow the skip to be manually wheeled around a flat smooth, surface. Fixed castor wheels should be fitted to the front and the swivel castor wheels to the rear.

1. Before fitting the castors, the skip will need to be raised on suitable supports which allow adequate and safe access to the underside of the fork pockets.
2. The skip must be locked in the 'tipped back' position. You must work from the side of the skip not from the front.
3. With the skip base suitably raised and supported, offer the castor up to the fixing position on the underside of the fork pocket.
4. Align the securing holes then insert a bolt from within the fork pocket through the castors base plate. Secure with the nyloc nut.
5. Repeat this with the remaining nuts and bolts. Fit the remaining three castors as described above.  
Note: It is not possible to use the fork pockets when fitted with wheels.

# Original Working Instructions

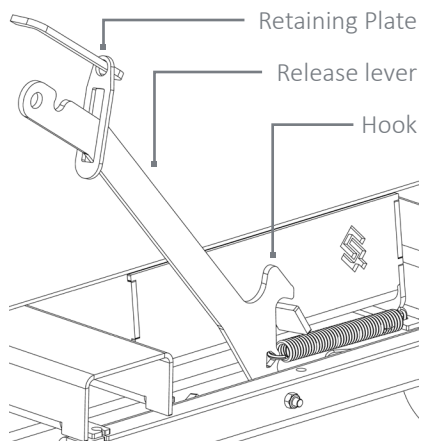
## Usage Instructions

---

### Usage Instructions

1. Only load the skip when fully lowered to the ground and locked back.
2. Load the skip ensuring the load is no wider, longer or higher than the side walls.
3. Set the forklift's forks to the correct width for the skip's fork pockets. Make sure that they are equidistant from the centre.
4. Drive the forklift to the skip aligning the forks with the skip's fork pockets.
5. Double check that all is correctly aligned, then move the forklift forward until the forks are fully inserted into the pockets.
6. Switch off the forklift engine and apply parking brake.
7. Insert the heel pins through the end of each fork pockets so that it passes behind the heel of the fork.
8. Retain in place with the lynch pin.
9. Loop the safety restraint chain around the forklift carriage, ensuring that it does not foul any of the forklift's moving parts.
10. If the skip cannot be secured correctly do not continue, contact Conquip Engineering Group for advice.
11. The release lever should always be held captive by the retainer plate. (Fig 1)
12. Once prepared, clear all personnel and tools. Raise the unit just enough to allow sufficient clearance from the ground when travelling. Drive the forklift to the discharge area.
13. The skip is designed to automatically tip and return once the release lever has been activated. Speed of discharge will depend upon load weight distribution and where applicable, tilt angle of the forklift mast.

**Fig 1**



# Original Working Instructions

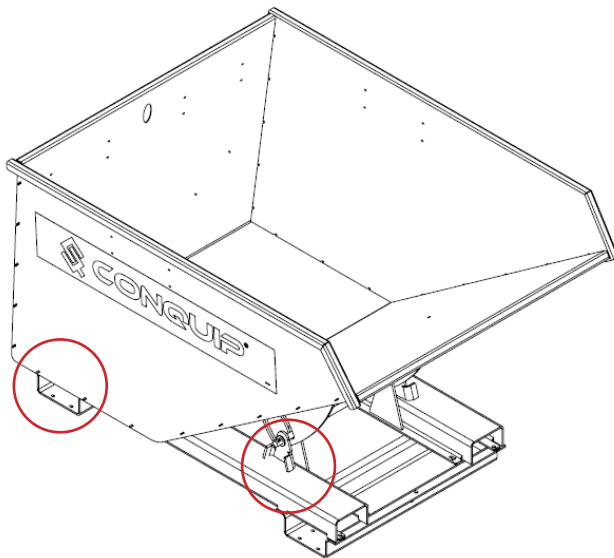
## Usage Instructions

---

### Usage Instructions

14. To tip the skip, slide the retainer plate clear, pull down on the release lever.
15. If discharging into a traditional skip, raise the unit so that it clears the walls of the skip then drive forward until positioned over the skip. Tilt the mast forward to give a slight forward angle then move the release lever.
16. Be ready for the skip to return automatically once empty. Finally, check that the release lever has fully engaged before moving away from the skip and lowering the unit.
17. Once empty, lowered and locked, disconnect the safety chain or heel pins. **IMPORTANT:** If crane lifting, the 4-leg sling must be disconnected from the lifting points before discharge.

### Crush Risks



# Original Working Instructions

## Safety Instructions

---

### Basic Safety

A site-specific Risk Assessment, and lift plan where applicable, must be completed by the responsible person before using this equipment to control risks, produce a safe system of work and ensure safety for you, your colleagues and others. Your risk assessment will determine the correct Personal Protective Equipment (PPE) for the task you are doing. You must use it. Conquip recommends that you should wear:

- Suitable clothing
- Gloves
- Hard hat
- Protective footwear (steel toecaps)
- Safety glasses



### Important Safety Notes

- Read these instructions before using this equipment. If there is anything you do not understand or if you have any concerns do not use this equipment. Contact your supervisor or Conquip Engineering Group for advice.
- You must check that you have considered all the safety requirements for the task you are doing and that this equipment is suitable.
- You must protect bystanders and the general public by preventing access to the working area.
- Do not use this equipment if you are tired, unwell or under the influence of alcohol or drugs. If you are taking any medicine or undergoing treatment you should inform your supervisor.

## Usage & Transportation

- Never unevenly load this equipment.
- The weight of the equipment, together with its attachments, must be added to the weight of the load when calculating the total load that will be imposed on the lifting apparatus / operating machine.
- This equipment must be used in conjunction with the load ratings of the lifting apparatus / operating machine. (Refer to the manufacturers' load ratings and original working instructions).
- Make sure you know how to use this equipment and understand all aspects of its operation in case of emergency.
- This equipment weighs more than 25kg. Do not lift or manhandle without machine assistance.
- Do not operate this equipment near overhead power lines.
- Take care in confined spaces, near ceilings or similar hazards. This equipment was designed for vertical lifting. Do not drag, or swing.
- Before operating this equipment, check that you have enough space for you to work safely and make sure that the working area is clear of hazards, obstructions and personnel.
- Before lowering equipment make sure that the landing zone is clear and capable of accepting the size and weight of the load.
- Crush Risk. Keep hands and feet clear of the equipment at all times to avoid injury.
- Do not exceed the maximum Working Load Limit (WLL) shown on the serial plate. Ensure that the WLL on the individual lift points is not exceeded.
- Before lifting, check that the load is secured, balanced and stable. Allow space for the equipment to move if the load shifts.
- Manoeuvre loaded or raised equipment carefully. Travel and turn slowly to avoid unit becoming unstable.

## Personnel

- All personnel must wear relevant personal protective equipment.
- Do not wear loose clothing or jewellery and tie back long hair to avoid becoming tangled or trapped in this equipment. You must make everyone in the work area aware of what you are doing.
- All personnel involved in the lifting operation must be competent to do so and must have been briefed in conjunction with this User Guide available from Conquip Engineering Group, the manufacturer.

## Equipment Maintenance & Cleaning

- It is mandatory that the equipment is thoroughly examined regularly, by a qualified engineer, to ensure compliance with relevant regulation/s. (Conquip recommend to carry out thorough examination every six months).
- This product may incorporate various loose and detachable items of lifting gear. Refer to the separate requirements for the safe use of those items.
- When not being used, store the unit in a clean, upright condition and in a safe place where it will be protected from thieves and unauthorised users.
- This equipment must be inspected by the responsible person before each use and then regularly, as determined by your risk assessment or working practice. If you have any concerns about condition or suitability do not use.



# Disclaimer

---

## Warranty

The products supplied by Conquip Engineering Group are all guaranteed by a 12 month warranty.

Apart from where exceptions apply, Conquip Engineering Group promises to repair or replace any fault which the Company considers to be due to defective material or workmanship within 12 months of the date of sale, at no additional cost.

- Faults arising from unauthorised alterations (see modifications section below for full details).
- Damage caused by abuse, neglect, misuse or falling.
- Damage caused because of failure to follow transportation, storage, loading, cleaning or operating instructions.
- Replacement or repair of components due to fair wear and tear.
- Any consequential damage or wear arising from the use or fitting of additional or non-standard parts.

## Modifications

If any third-party modifications or alterations, involving drilling, welding, cutting or distortion of materials in any form, are to be carried out on the product, Conquip Engineering Group must provide full written approval prior to the work being carried out.

Alterations, modifications, additions or repairs must be carried out by Conquip Engineering Group's recognised distributors, if they are not carrying out the work themselves.

Conquip Engineering Group operate a continuous improvement policy and therefore reserve the right to alter technical specifications and user guide details at any point without notice.

Conquip Engineering Group will not cover or reimburse any transportation and/or shipment costs to and from their premises or their recognised agents, or any material and/or labour costs for repair, replacement or assessment against a warranty claim.

Conquip Engineering Group and/or their directors, employees, insurers or recognised agents will not be held liable for consequential damages, losses or expenses relating to the inability to use the product correctly for its purpose.

## Important Notes

- This User Guide is for this Conquip product only.
- Any movements of the product must be thoroughly planned before the work commences to identify potential hazards and assess risk.
- All personnel involved in lifting and transportation of this product must have read this User Guide and must be properly briefed.
- You must be competent, alert and medically fit when using this equipment. If you have a medical condition, a mental or physical disability, you must seek advice from a medical professional before using this equipment.

Talking to us is easy

**We're here to help**

Call us on 0800 116 076

Email us at [sales@conquipgroup.co.nz](mailto:sales@conquipgroup.co.nz)

[www.conquipgroup.co.nz](http://www.conquipgroup.co.nz)