

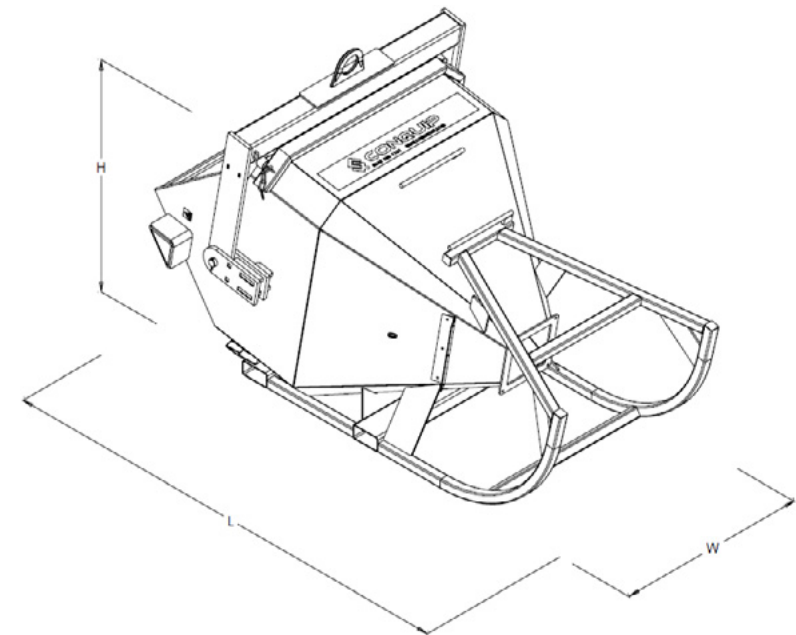
User Guide

Concrete Column Skip



Product Information Specification

Item	Product Code
Concrete Column Skip with Bale Arm 500	CS210-00500
Concrete Column Skip with Bale Arm 750	CS210-00750
Concrete Column Skip with Bale Arm 1000	CS210-01000
Concrete Column Skip with Bale Arm 1500	CS210-01500
Concrete Column Skip with Bale Arm 2000	CS210-02000



¹Working Load Limit

Product Code	Height	Height with Bale	Width	Length	Length with Bale	Weight	WLL ¹	Capacity
CS210-00500	1200mm	1570mm	1370mm	1920mm	2480mm	340kg	1500kg	500 litres
CS210-00750	1340mm	1740mm	1520mm	2080mm	2670mm	400kg	2250kg	750 litres
CS210-01000	1350mm	1760mm	1520mm	2190mm	2760kg	410kg	3000kg	1000 litres
CS210-01500	1620mm	2110mm	1780mm	2440mm	3200kg	650kg	4500kg	1500 litres
CS210-02000	1670mm	2150mm	1780mm	2720mm	3500kg	660kg	6000kg	2000 litres

Product Information Overview

Conquip's Concrete Column Skip, sometimes known as a Tremie Skip, is a versatile, all-purpose skip for pouring concrete. Ideal for pouring columns, it can also be used for walls, narrow formwork and pipe laying work.

The Concrete Column Skip is available in a range of sizes with capacities from 500 litres to 2000 litres. It can be customised to suit your specific requirements, ensuring there is a solution for every project, regardless of crane capacity or the amount of concrete required.

Key Benefits

- Provided with a 3-metre length of reinforced rubber discharge hose and pull rope for pouring concrete.
- Robust, durable design to withstand wear from use on construction sites.
- A strong spring retractor ensures automatic closing of the discharge gate when pouring is complete.
- Range of sizes with capacities from 500 to 2000 litres.
- Designed to lay horizontally on the ground to assist filling from the concrete truck, when lifted the skip uses the chains to return to its vertical position.



Important Usage Notes

- The bale arm must be secured against dropping / swinging down whenever the unit is not in use. This includes during transportation to and from site and when loading and unloading from any vehicle.
- The safety restraint chain should be attached when the unit is on its back and the bale arm is raised by the attached lifting equipment.
- Control lines should be used but only to allow for light manoeuvring.
- The hook of the lifting equipment must be attached to the lifting eye of the bale arm.
- Always ensure that the skip's gate is correctly closed.
- The bale arm should not be lifted by hand.
- Do not empty the unit all at once as the sheer weight of the concrete may detach the hose from the outlet. Empty the unit in short bursts for more controlled pour and to aid concrete compaction.

Set-up Instructions

1. Land the skip on level ground, resting upon the roll frames.
2. Keep the bale arm raised to allow you to disconnect the safety chain.
3. Check that the skip's flow gate is fully closed and that the gate control spring is correctly connected and in good condition. The spring tension may alter during prolonged use and can be adjusted if required.
4. To adjust the spring tension, turn the adjuster nut clockwise to increase tension and anticlockwise to reduce.
5. Check that the hose is in good condition and correctly positioned and secured to the outlet. An incorrectly positioned or secured hose may separate during a pour.
6. Raise the hose and loop it over the two hose hooks to keep it clear of the ground during filling and lifting.
7. You can now fill the skip with concrete.

Loading, Lifting and Lowering the Skip

1. Before loading the skip, it must be positioned on its back with the flow gate closed.
2. Fill the skip at the hopper end with concrete until the skip is full and the load is level. The skip can now be raised and moved to where its required.
3. To aid manoeuvring, attach control lines to the skip. You can now carefully raise the skip just off the ground and check for balance and security.
4. If all is OK, proceed to move the load to its required position. Move slowly and carefully; do not jolt the load.
5. When in position, lower the load until suspended above the discharge point.
6. Unhook the discharge hose.
7. To pour the concrete, slowly pull down on the gate control rope until the gate opens sufficiently to allow the concrete to flow at the required rate. Do not fully open the gate nor tie it open. You can stop the flow at any time by raising the gate control rope.
8. When discharge is complete, release the gate control rope then loop the hose over the two hose hooks.
9. Move the skip back to the ground.
10. With the skip free of any load, lower it to the ground. If the skip is no longer required, attach the safety chain to the bale arm then release the lifting apparatus' hook and move it clear.
11. Open the gate and remove all remaining concrete from inside and outside, by hosing down with clean water, before it sets (see cleaning instructions).



Cleaning the Concrete Column Skip

1. Conquip recommend leaving the bale arm in the resting/safe position to avoid risk of injury, whether you are using the skip with a designated wash platform (Fig 1.1) or not. (Fig 1.2)

RESTING POSITION (PLATFORM)

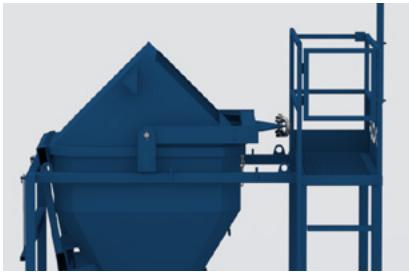


Fig 1.1

RESTING POSITION (NO PLATFORM)



Fig 1.2

2. The skip must be cleaned of all remaining concrete at the end of each work session, or more frequently if required. There can be no excuse for the unit to fail because of hard concrete residue.
3. Thorough cleaning can be achieved if the gate control spring is disconnected, this will allow you to open the gate fully for hosing down. Always take extreme caution when releasing the gate control. Do not tie the gate control lever in the open position.
4. Once thoroughly cleaned, the spring must be re-fitted to keep the gate closed. If you do not, concrete residue may set in the gate blade channels that will foul its operation.

CLEANING WITH A SKIP WASHING PLATFORM

1. Make sure the Skip Washing Platform is on level ground.
2. Operatives should not be stood on the work platform when the skip is being crane lifted into position.



Fig 1.3



Fig 1.4

3. The bale arm **MUST** be in the resting position **BEFORE** the crane hook (Fig 1.3) is detached.
4. Detach the crane hook (Fig 1.4) from the safety bow shackle.

CLEANING WITHOUT A SKIP WASHING PLATFORM

1. Lower the skip and use the roll frames to lay it horizontally on the ground.
2. The bale arm should still be attached to the crane hook in the upright position.



Fig 1.5



Fig 1.6

Original Working Instructions Usage Instructions

3. Slowly lower the bale arm from the upright position (Fig 1.7) to the resting position.
4. The crane hook should only be detached (Fig 1.8) once the bale arm is in the resting position.

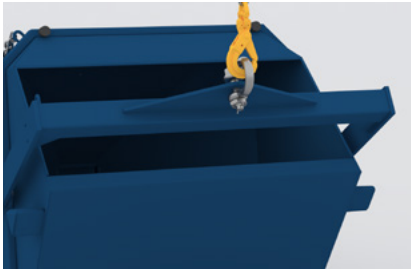


Fig 1.7



Fig 1.8

Scan for bale arm safety video!



Storage & Transport

For storage or transportation, the bale arm should be in the upright position, with the safety restraint chain attached (Fig 2.1) correctly and secure.



Fig 2.1

The skip can be stored on a Skip Washing Platform (Fig 2.2) as long as the bale arm is left in the resting position.



Fig 2.2

Original Working Instructions

Safety Instructions

Basic Safety

A site-specific Risk Assessment, and lift plan where applicable, must be completed by the responsible person before using this equipment to control risks, produce a safe system of work and ensure safety for you, your colleagues and others. Your risk assessment will determine the correct Personal Protective Equipment (PPE) for the task you are doing. You must use it. Conquip recommends that you should wear:

- Suitable clothing
- Gloves
- Hard hat
- Protective footwear (steel toecaps)
- Safety glasses



Important Safety Notes

- Read these instructions before using this equipment. If there is anything you do not understand or if you have any concerns do not use this equipment. Contact your supervisor or Conquip Engineering Group for advice.
- You must check that you have considered all the safety requirements for the task you are doing and that this equipment is suitable.
- You must protect bystanders and the general public by preventing access to the working area.
- Do not use this equipment if you are tired, unwell or under the influence of alcohol or drugs. If you are taking any medicine or undergoing treatment you should inform your supervisor.

Usage & Transportation

- Never unevenly load this equipment.
- The weight of the equipment, together with its attachments, must be added to the weight of the load when calculating the total load that will be imposed on the lifting apparatus / operating machine.
- This equipment must be used in conjunction with the load ratings of the lifting apparatus / operating machine. (Refer to the manufacturers' load ratings and original working instructions).
- Make sure you know how to use this equipment and understand all aspects of its operation in case of emergency.
- This equipment weighs more than 25kg. Do not lift or manhandle without machine assistance.
- Do not operate this equipment near overhead power lines.
- Take care in confined spaces, near ceilings or similar hazards. This equipment was designed for vertical lifting. Do not drag, or swing.
- Before operating this equipment, check that you have enough space for you to work safely and make sure that the working area is clear of hazards, obstructions and personnel.
- Before lowering equipment make sure that the landing zone is clear and capable of accepting the size and weight of the load.
- Crush Risk. Keep hands and feet clear of the equipment at all times to avoid injury.
- Do not exceed the maximum Working Load Limit (WLL) shown on the serial plate. Ensure that the WLL on the individual lift points is not exceeded.
- Before lifting, check that the load is secured, balanced and stable. Allow space for the equipment to move if the load shifts.

Personnel

- All personnel must wear relevant personal protective equipment.
- Do not wear loose clothing or jewellery and tie back long hair to avoid becoming tangled or trapped in this equipment. You must make everyone in the work area aware of what you are doing.
- All personnel involved in the lifting operation must be competent to do so and must have been briefed in conjunction with this User Guide available from Conquip Engineering Group, the manufacturer.

Equipment Maintenance & Cleaning

- It is mandatory that the equipment is thoroughly examined regularly, by a qualified engineer, to ensure compliance with relevant regulation/s. (Conquip recommend to carry out thorough examination every six months).
- This product may incorporate various loose and detachable items of lifting gear. Refer to the separate requirements for the safe use of those items.
- When not being used, store the unit in a clean, upright condition and in a safe place where it will be protected from thieves and unauthorised users.
- This equipment must be inspected by the responsible person before each use and then regularly, as determined by your risk assessment or working practice. If you have any concerns about condition or suitability do not use.

Original Working Instructions
Daily Check Sheet

✓ - If fit to use ✗ - If defected and report defect below

NO.	DAILY CHECK	MON	TUE	WED	THUR	FRI	SAT	SUN
1	Safety Bow Shackle - check split pin							
2	Bale Arm Safety Chain - check condition							
3	Rope secure and Gate operating correctly							
4	Hose secure and Hose Clip fitted correctly							
5	Nuts & bolts tight, Spring attached							
6	Bale Arm Split Pins in lifting points							
7	General Visual Inspection of Body							

WRITE DEFECT HERE

Defect Report to:	
Date:	

Sign:	
Print:	

Disclaimer

Warranty

The products supplied by Conquip Engineering Group are all guaranteed by a 12 month warranty.

Apart from where exceptions apply, Conquip Engineering Group promises to repair or replace any fault which the Company considers to be due to defective material or workmanship within 12 months of the date of sale, at no additional cost.

- Faults arising from unauthorised alterations (see modifications section below for full details).
- Damage caused by abuse, neglect, misuse or falling.
- Damage caused because of failure to follow transportation, storage, loading, cleaning or operating instructions.
- Replacement or repair of components due to fair wear and tear.
- Any consequential damage or wear arising from the use or fitting of additional or non-standard parts.

Modifications

If any third-party modifications or alterations, involving drilling, welding, cutting or distortion of materials in any form, are to be carried out on the product, Conquip Engineering Group must provide full written approval prior to the work being carried out.

Alterations, modifications, additions or repairs must be carried out by Conquip Engineering Group's recognised distributors, if they are not carrying out the work themselves.

Conquip Engineering Group operate a continuous improvement policy and therefore reserve the right to alter technical specifications and user guide details at any point without notice.

Conquip Engineering Group will not cover or reimburse any transportation and/or shipment costs to and from their premises or their recognised agents, or any material and/or labour costs for repair, replacement or assessment against a warranty claim.

Conquip Engineering Group and/or their directors, employees, insurers or recognised agents will not be held liable for consequential damages, losses or expenses relating to the inability to use the product correctly for its purpose.

Important Notes

- This User Guide is for this Conquip product only.
- Any movements of the product must be thoroughly planned before the work commences to identify potential hazards and assess risk.
- All personnel involved in lifting and transportation of this product must have read this User Guide and must be properly briefed.
- You must be competent, alert and medically fit when using this equipment. If you have a medical condition, a mental or physical disability, you must seek advice from a medical professional before using this equipment.

Talking to us is easy

We're here to help

Call us on 0800 116 076

Email us at sales@conquipgroup.co.nz

www.conquipgroup.co.nz