



INFRASTRUCTURE

BESPOKE

Products built to specific project specification.



MUCK AWAY

Solutions for bulk waste removal.



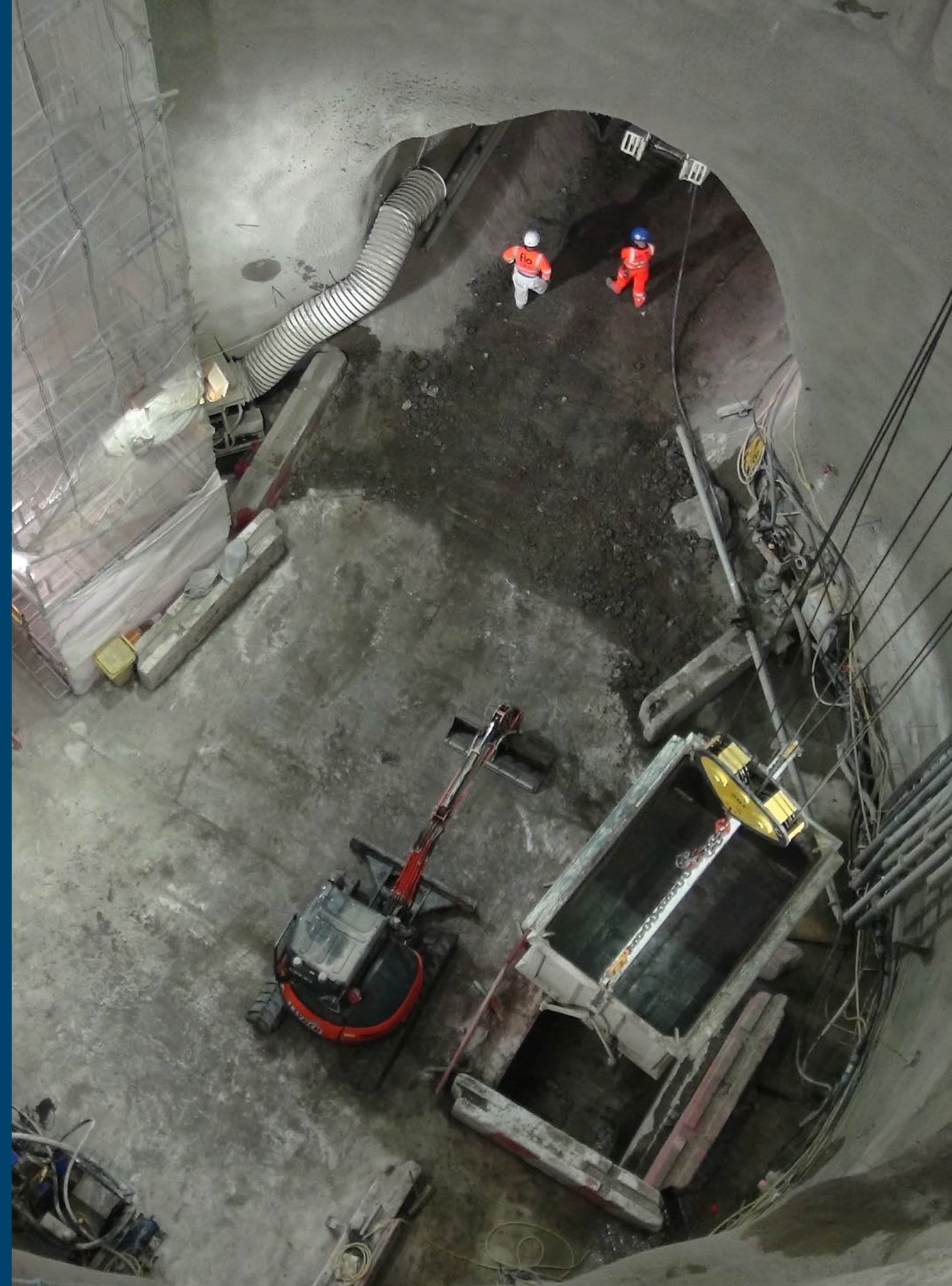
LIFTING & LOADING

Personnel Lifting, Material Lifting & Loading.

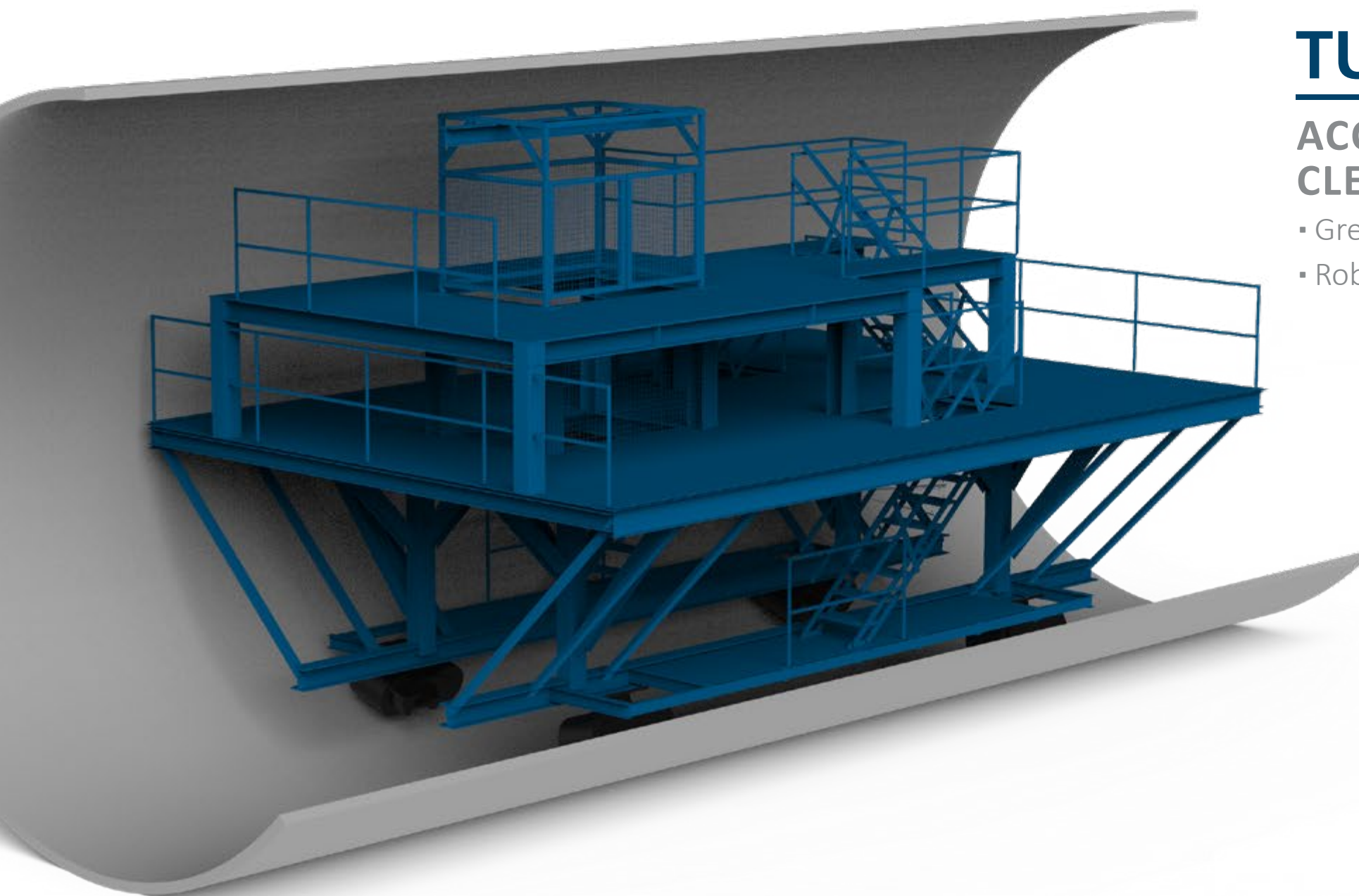


CONCRETE

Robust equipment for pouring concrete.



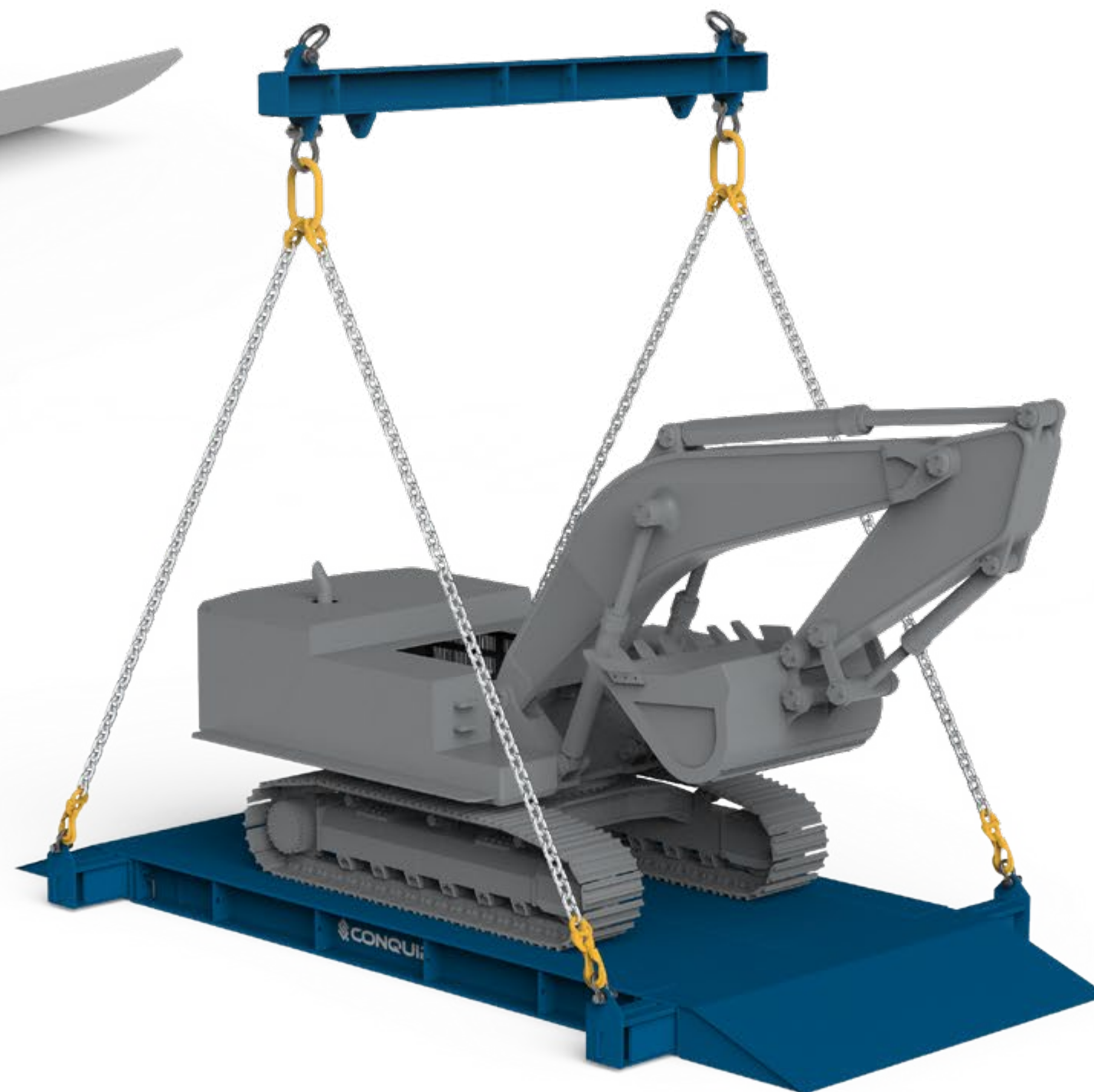
BESPOKE



TUNNEL ACCESS PLATFORM

ACCESS PLATFORM FOR LINING AND CLEANING TUNNELS

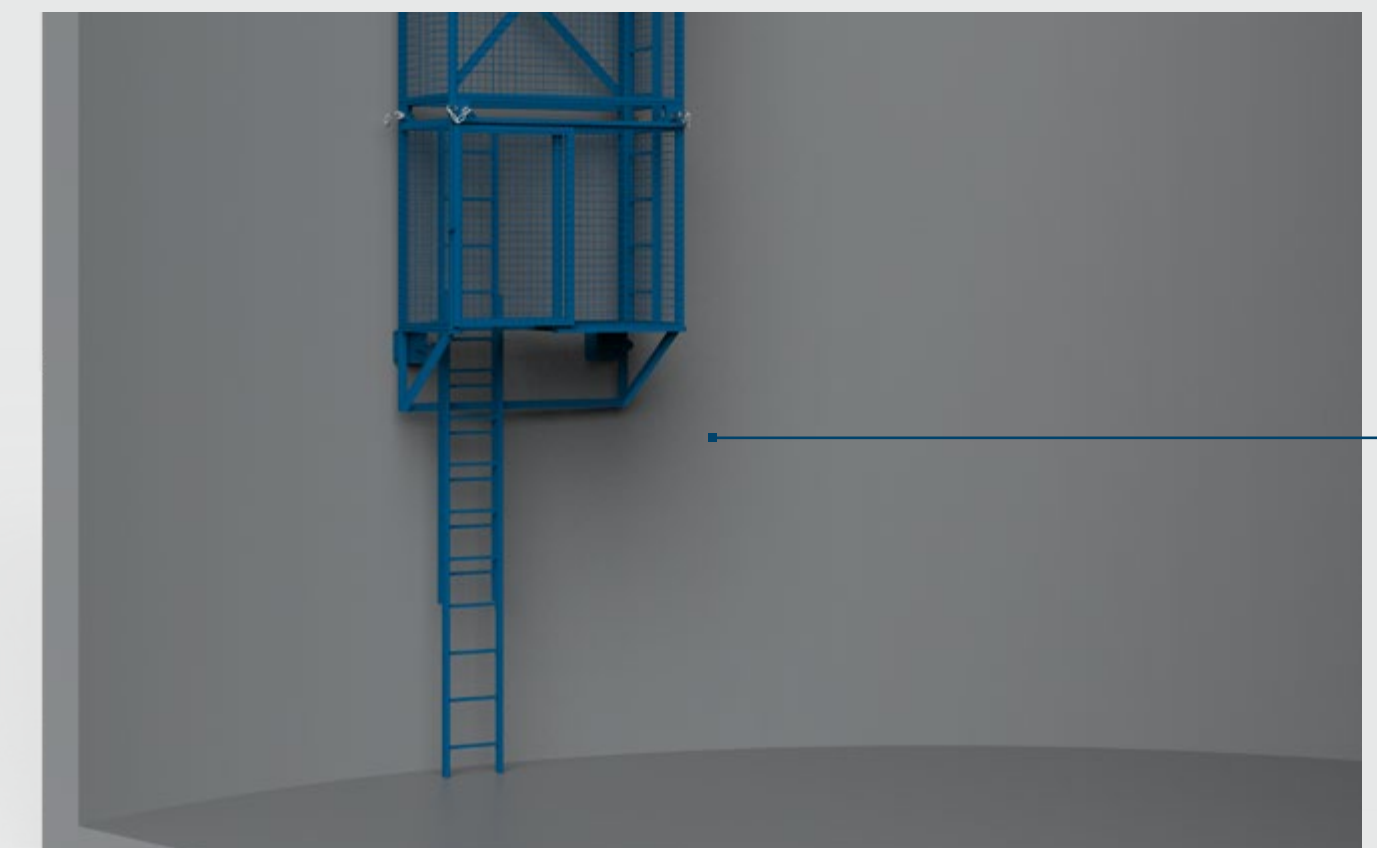
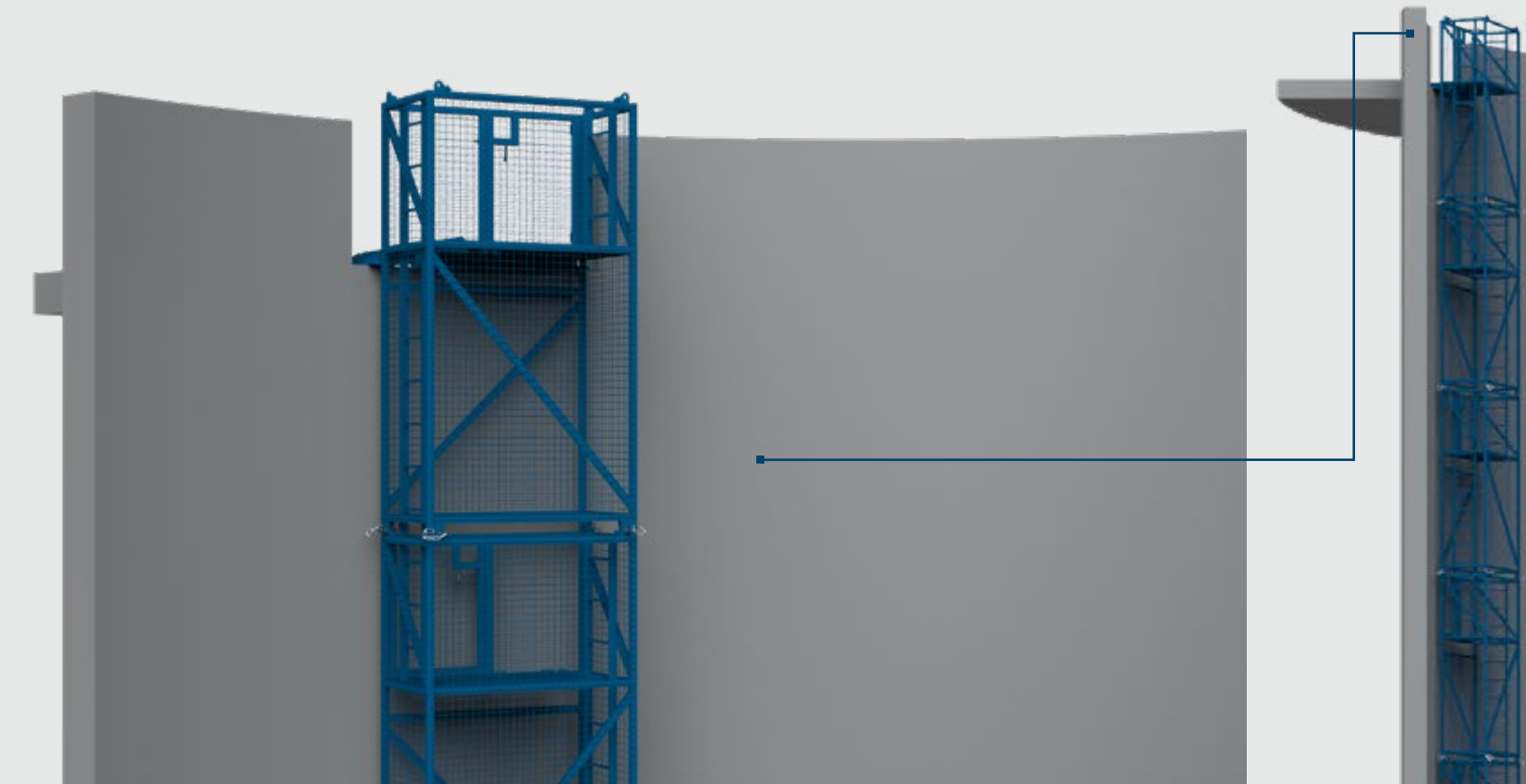
- Greater access allows comprehensive lining, preventing collapse.
- Robust, multi-level steel frame enhances operative safety.



EXCAVATOR PLATFORM

A ROBUST, PLATFORM FOR SAFELY TRANSPORTING EXCAVATORS

- Designed for safe transit in tunnels and shafts.
- Ramped access for easy loading and offload.



MODULAR SHAFT LADDER

LADDER PROVIDING SAFE ACCESS TO MODULAR SHAFTS

- Designed for where lift access is not feasible.
- Robust steel frame and mesh sides for enhanced personnel safety.

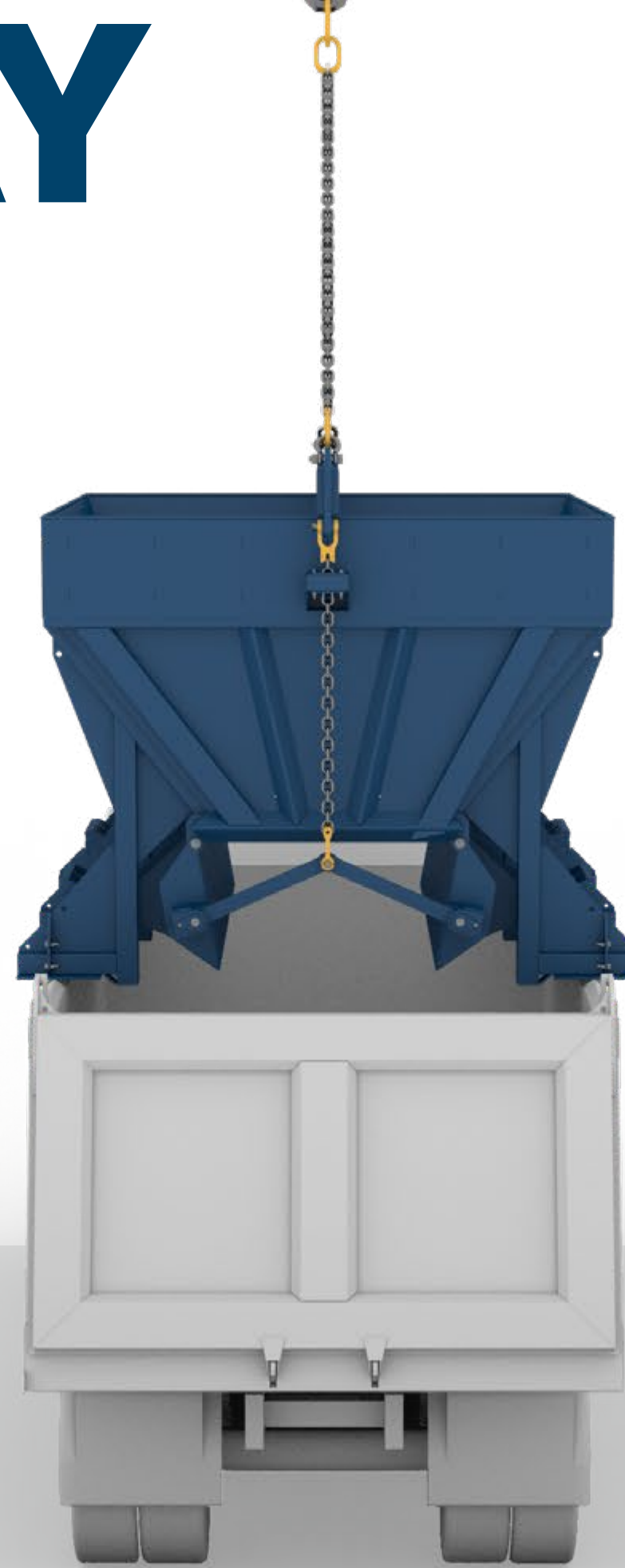


MUCK AWAY

BULKX

SAFE AND EFFICIENT TRANSFER OF EXCAVATED SPOIL DIRECTLY INTO WASTE MANAGEMENT VEHICLES

- Range of system options suit any site requirement.
- No double handling of spoil.
- No operatives required in discharge zone.



BOAT SKIP

HEAVY-DUTY SKIP FOR GENERAL MUCK AND WASTE REMOVAL

- Slotted bale arm, lifting point and latch for automatic emptying by crane operator.
- Low loading height for easy loading.





CRANE FORKS CAGE

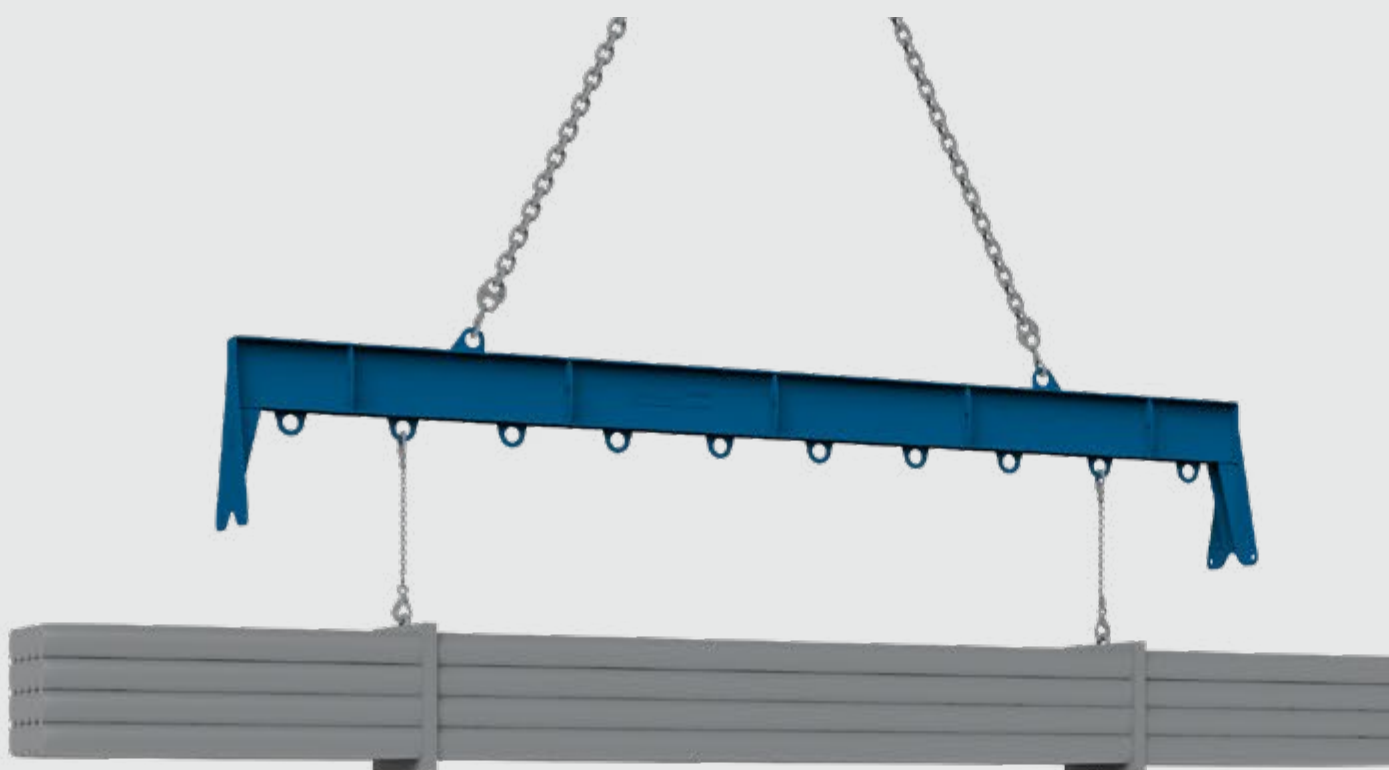
A FAIL-SAFE, BEST-PRACTICE METHOD FOR LIFTING BRICKS AND BLOCKS

- Designed with leading contractors and lifting personnel.
- Tested to ensure if load becomes unstable, it remains contained.

PERSONNEL ACCESS

VARIETY OF ACCESS SOLUTIONS FOR EASY TRANSPORT OF PERSONNEL AROUND SITE

- Range includes, 1 to 12-man Access Cages, Stretcher Cages, Rescue Cages.
- All equipment is robust and LOLER compliant.



MATERIAL & EQUIPMENT

EFFICIENT SOLUTIONS FOR TRANSPORTING GOODS AND LOADS AROUND SITE

- Range includes Lifting Beams, Goods Cages, Lifting Frames, Grabs and much more.
- Wide variety of standard-range products and bespoke solutions available.

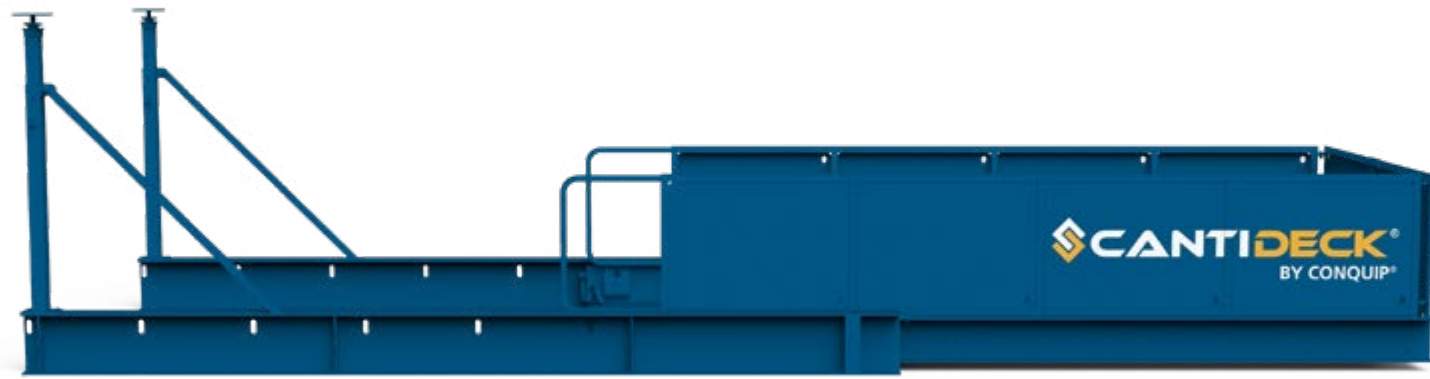


LOADING

CANTIDECK

CRANE LOADING PLATFORMS FOR SAFE AND EFFICIENT BUILDING LOAD-OUT

- Improves safety of personnel working at height.
- Eliminates costly temporary works and scaffolding systems.
- Fixed Flush and Super Roller options available.



SUPER ROLLER



FIXED FLUSH





CONCRETE POURING

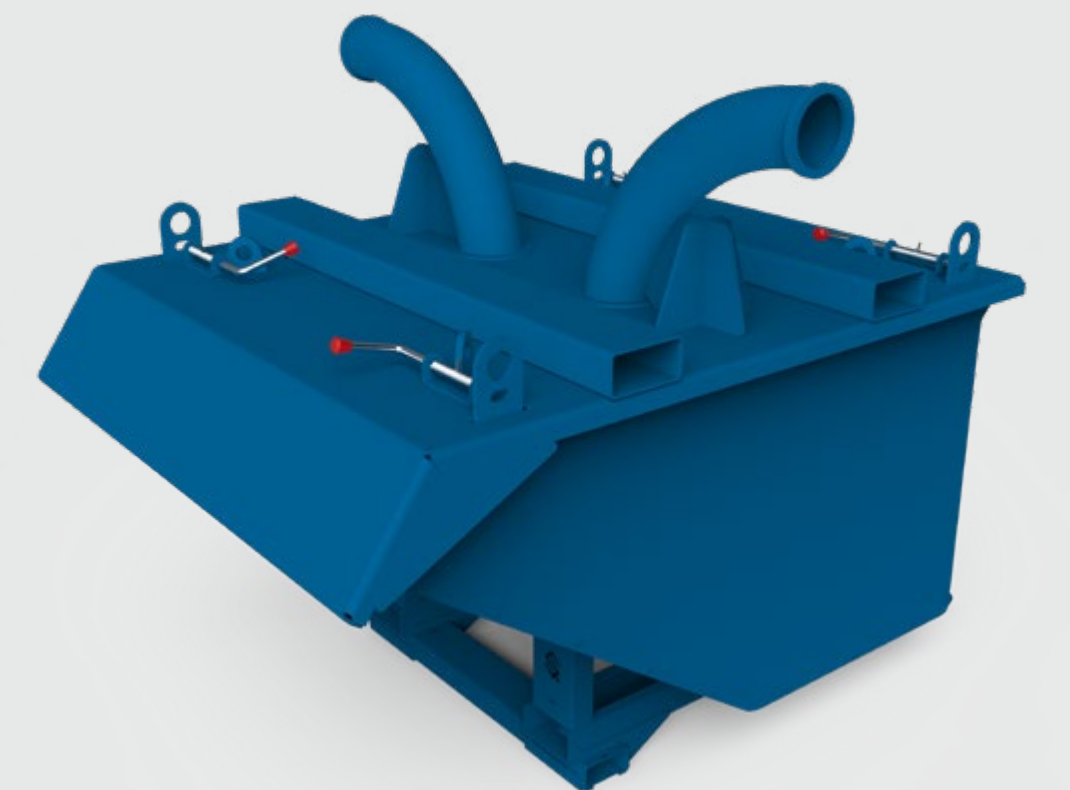
A VERSATILE, ALL-PURPOSE SKIP FOR POURING CONCRETE

- Pours columns, walls, narrow formwork, pipe laying work, off-site construction.
- Available in 500L, 1000L, 1500L and 2000L sizes

CONCRETE BLOWOUT

ENABLES BLOWOUT OF CONCRETE PUMP LINES DIRECTLY INTO THE SKIP

- Remaining concrete in the pump line transported and used to complete pour.
- No wastage.



CONCRETE

