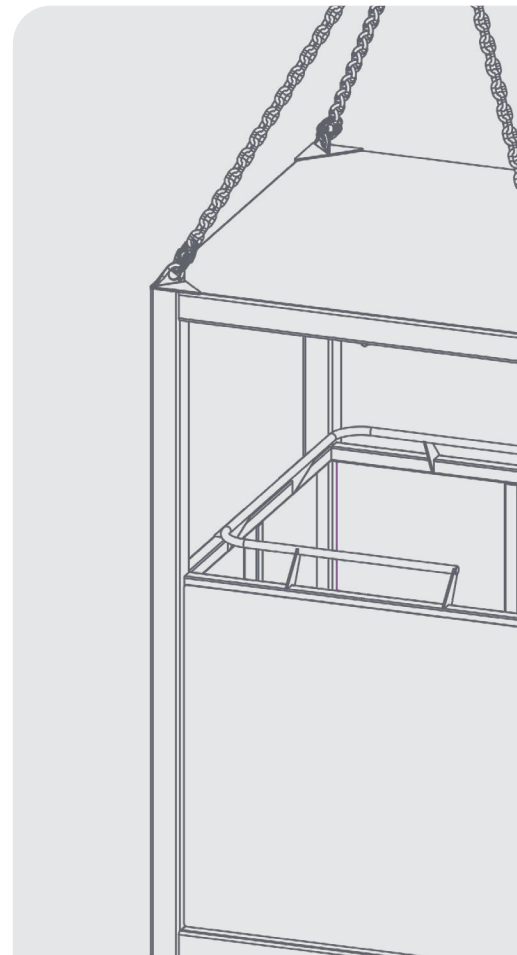


USER GUIDE

ACCESS CAGE



DISCLAIMER

Do not attempt to handle or operate this equipment before you have received sufficient training. Before use, operatives must have carried out all checks featured on the Visual Inspection Sheet on page 19. It is imperative that you have read the General Safety Instructions on page 20 and sufficiently familiarised yourself with the Operational Procedures in this document.

Note that this item is compliant only to the standards specified in this User Guide and it is therefore the duty of the responsible person(s) to review and ensure compliance.

CONTENTS

PRODUCT INFORMATION

INTRODUCTION	04
SPECIFICATION	05
PARTS DIAGRAM	11

OPERATIONAL PROCEDURES

IMPORTANT USAGE NOTES	16
USING WITH A CRANE	16
USING WITH A FORKLIFT	17
HARNESS ATTACHMENT POINTS	17

MAINTENANCE & INSPECTION

MAINTENANCE REGIME	18
VISUAL INSPECTION SHEET	19

GENERAL SAFETY INSTRUCTIONS

SAFETY INSTRUCTIONS	20
GENERAL NOTES	21

LEGAL

TERMS AND CONDITIONS	22
EC DECLARATION OF CONFORMITY	26
STANDARDS AND REGULATIONS APPLICABLE	27

INTRODUCTION

OVERVIEW

Conquip Access Cages are designed for transporting personnel around site.

Ideal for large construction sites or those with restricted access, our range covers varying requirements, including reaching confined spaces or providing access to tunnels and shafts.

Manufactured to the highest standards with half-height solid sides that enhance the safety of the occupants, while providing them and the crane operator with greater visibility.

Internal harness attachment points and handrails help stabilise personnel during lifts and a safety locking catch keeps the door securely closed.

KEY BENEFITS

- Wide range of sizes from 1 to 12 person capacities.
- Suitable for different applications, from personnel movement to access for working in a confined space.
- Manufactured with half height solid steel sides for maximum safety, as well as offering good visibility for machine operator and personnel in the cage.
- Internal harness attachment points.
- Safety locking catch for secure door closure.

SPECIFICATION

THE RANGE

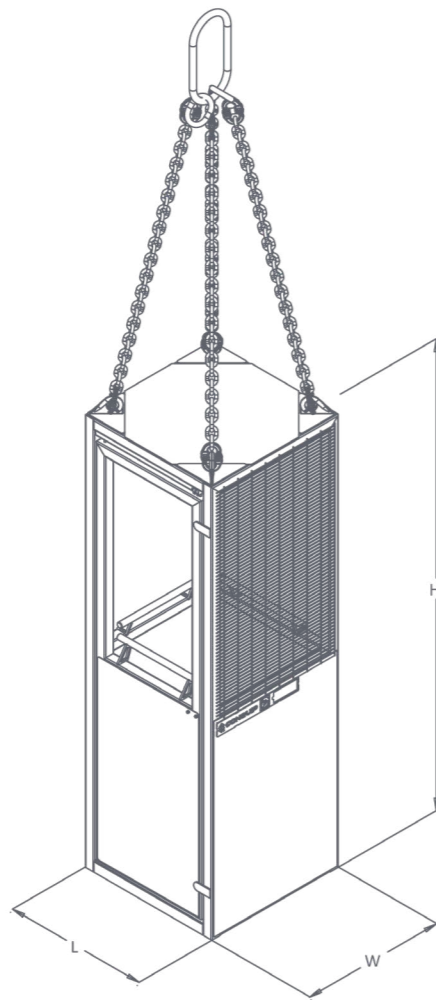


CODE	TYPE	WEIGHT (kg)	WLL* (kg)
CA126-00120	1 Person Access Cage	170	120
CA120AB-00240	2 Person Access Cage	400	240
CA123-00480	4 Person Access Cage	590	480
CA123-00720	6 Person Access Cage	730	720
CA123-01440	12 Person Access Cage	1100	1440

*Working Load Limit

SPECIFICATION

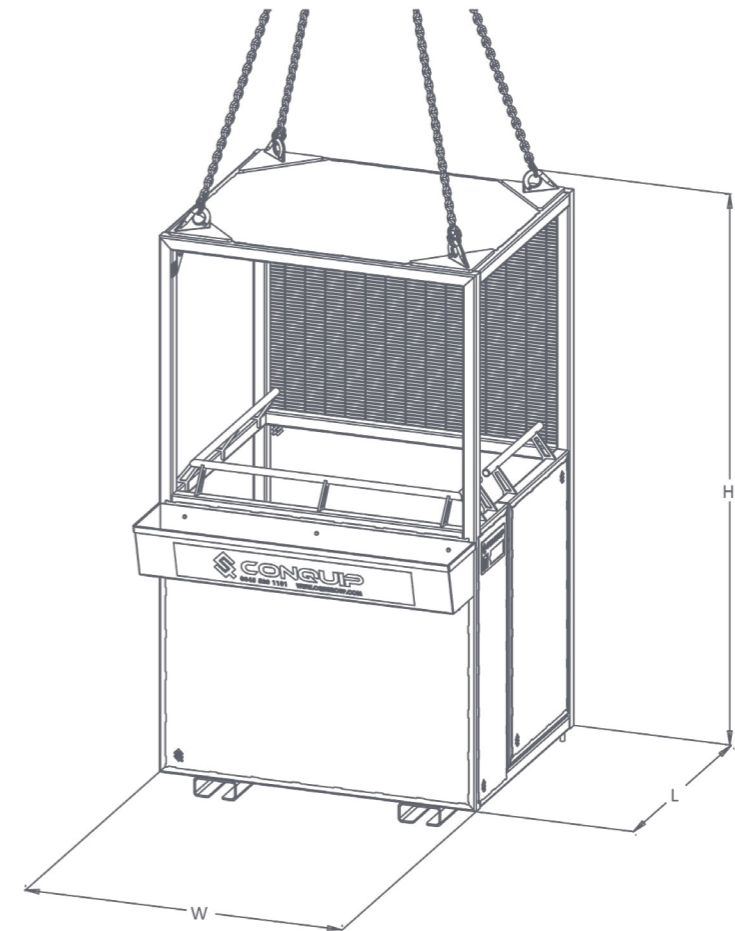
ITEM	PRODUCT CODE
1 Person Access Cage	CA126-00120



LENGTH (mm)	WIDTH (mm)	HEIGHT (mm)
700	700	2300

SPECIFICATION

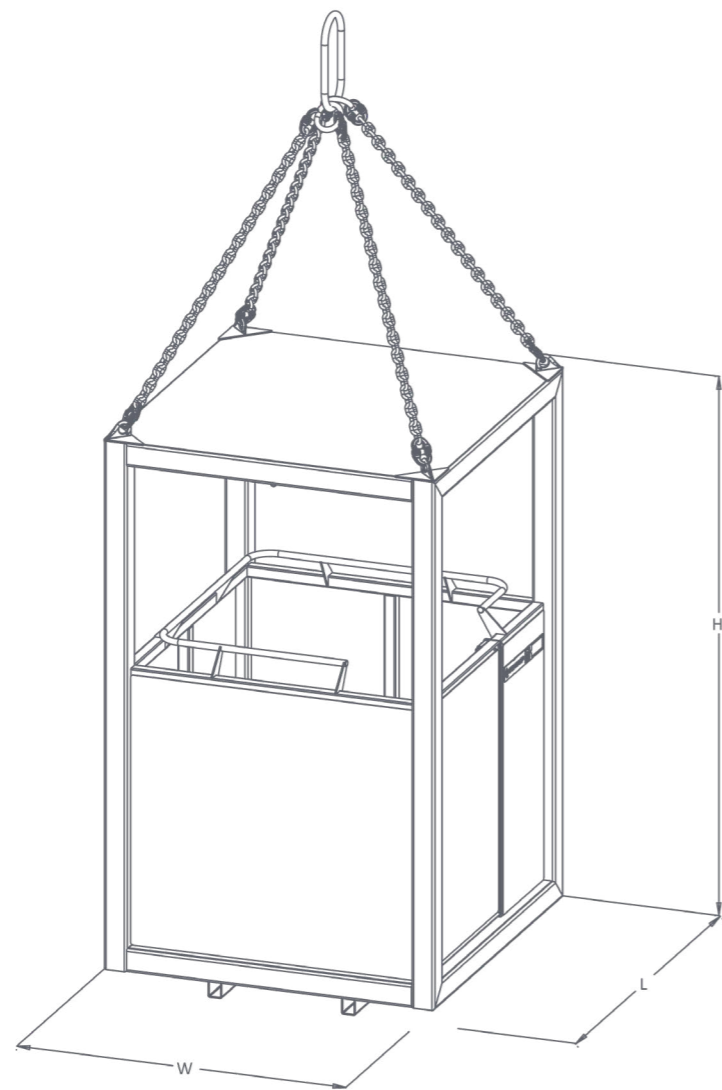
ITEM	PRODUCT CODE
2 Person Access Cage	CA120AB-00240



LENGTH (mm)	WIDTH (mm)	HEIGHT (mm)
1450	1200	2210

SPECIFICATION

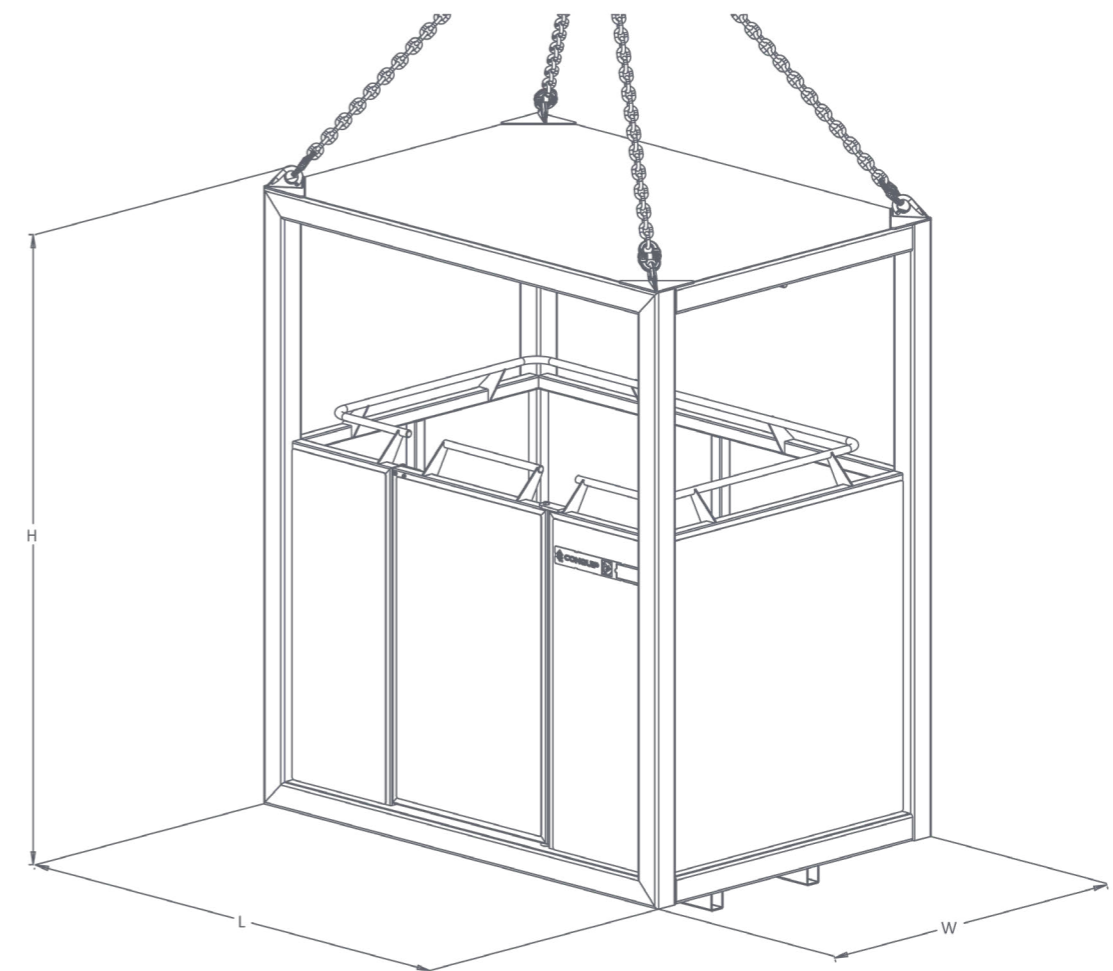
ITEM	PRODUCT CODE
4 Person Access Cage	CA123-00480



LENGTH (mm)	WIDTH (mm)	HEIGHT (mm)
1450	1500	2500

SPECIFICATION

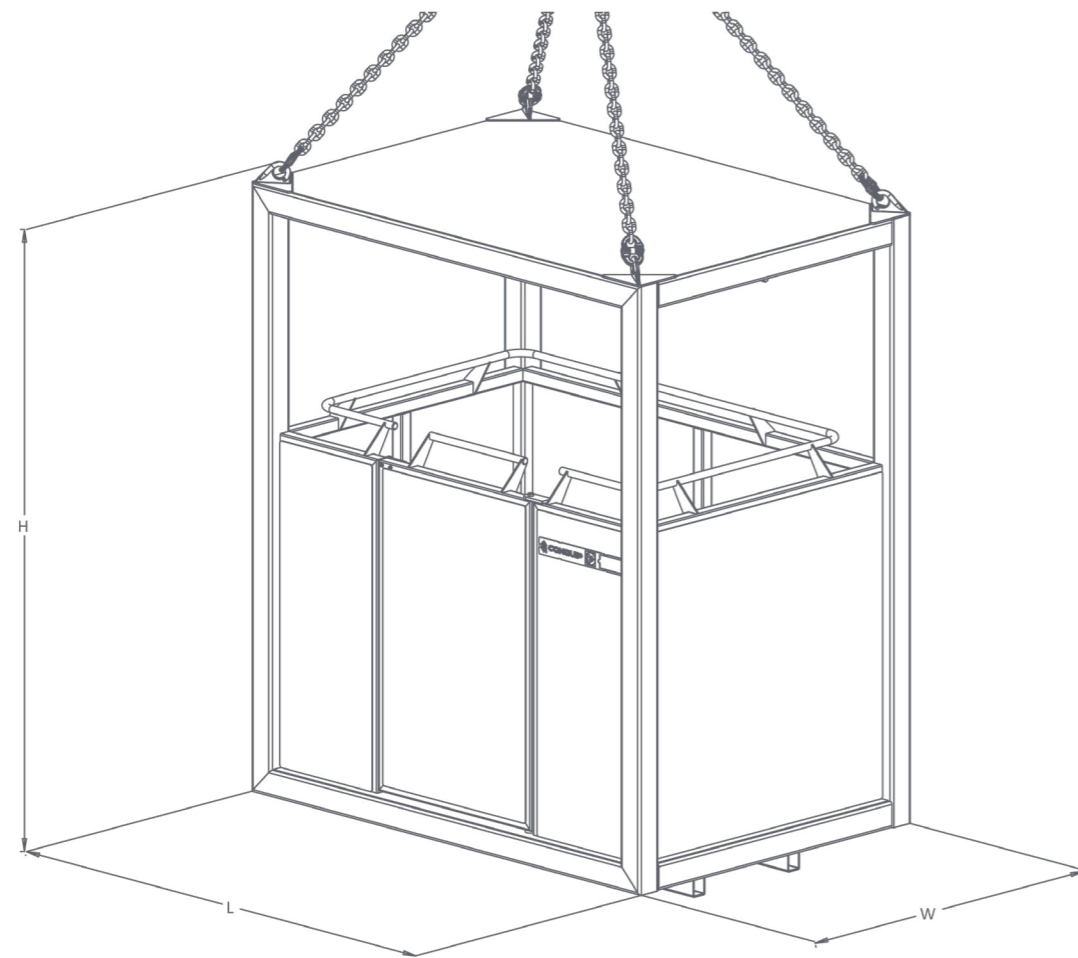
ITEM	PRODUCT CODE
6 Person Access Cage	CA123-00720



LENGTH (mm)	WIDTH (mm)	HEIGHT (mm)
2000	1400	2550

SPECIFICATION

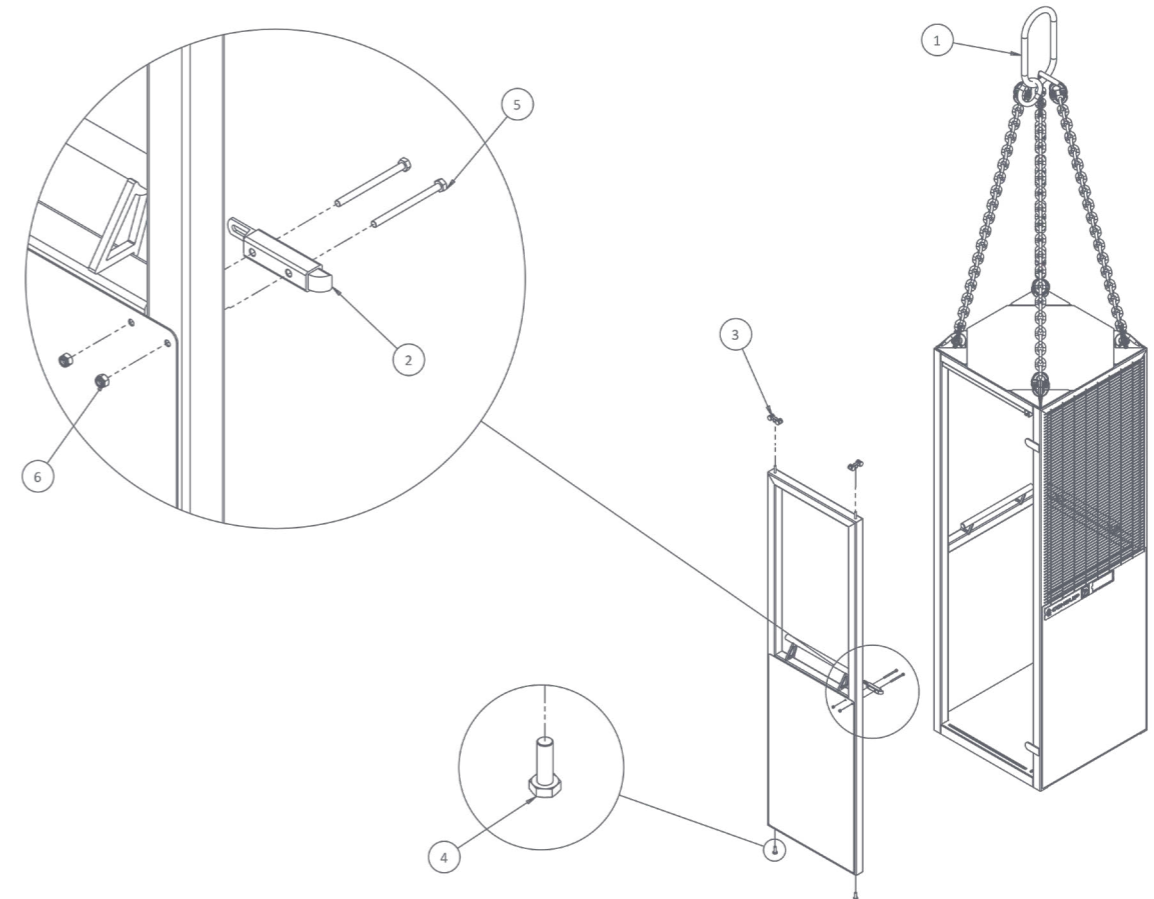
ITEM	PRODUCT CODE
12 Person Access Cage	CA123-01440



LENGTH (mm)	WIDTH (mm)	HEIGHT (mm)
2700	2000	2550

PARTS DIAGRAM

1 PERSON ACCESS CAGE

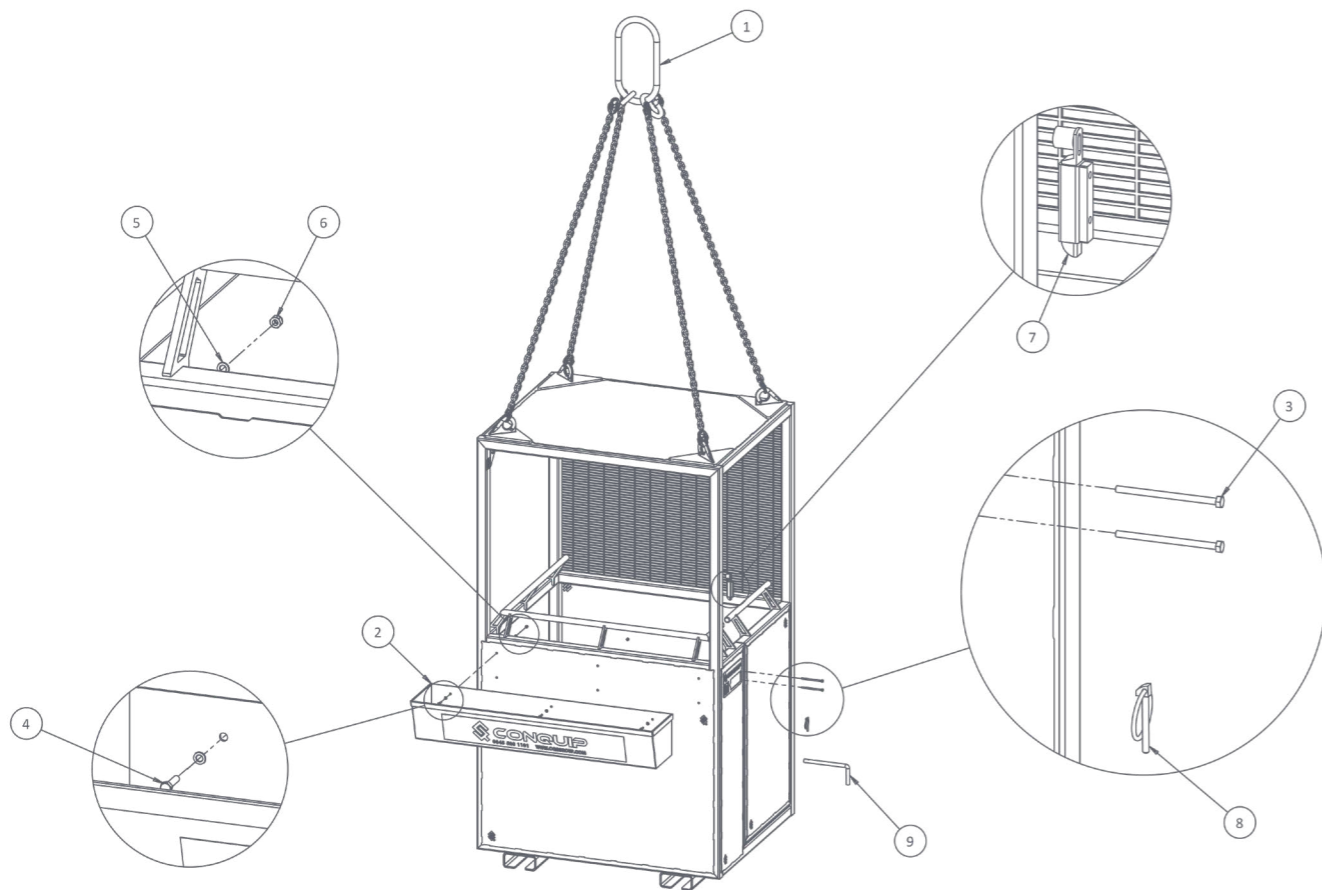


ITEM NUMBER	PART	DESCRIPTION	QUANTITY
1	CF1.5-8-6ZX8	Chain Assembly	1
2	ZZ170001	End Slam Locking Catch	1
3	ZZ960011	Sliding Door Hanger 4 Wheel	2
4	NS800666	M10 x 30 Hex Head Set Screw	2
5	NS800840	M6 x 80 Hex Head Set Screw	2
6	NS800826	M6 Nyloc Nut	2

NOTE: These parts are for this model, they may differ for previous versions. Please contact Conquip with any queries.

PARTS DIAGRAM

2 PERSON ACCESS CAGE

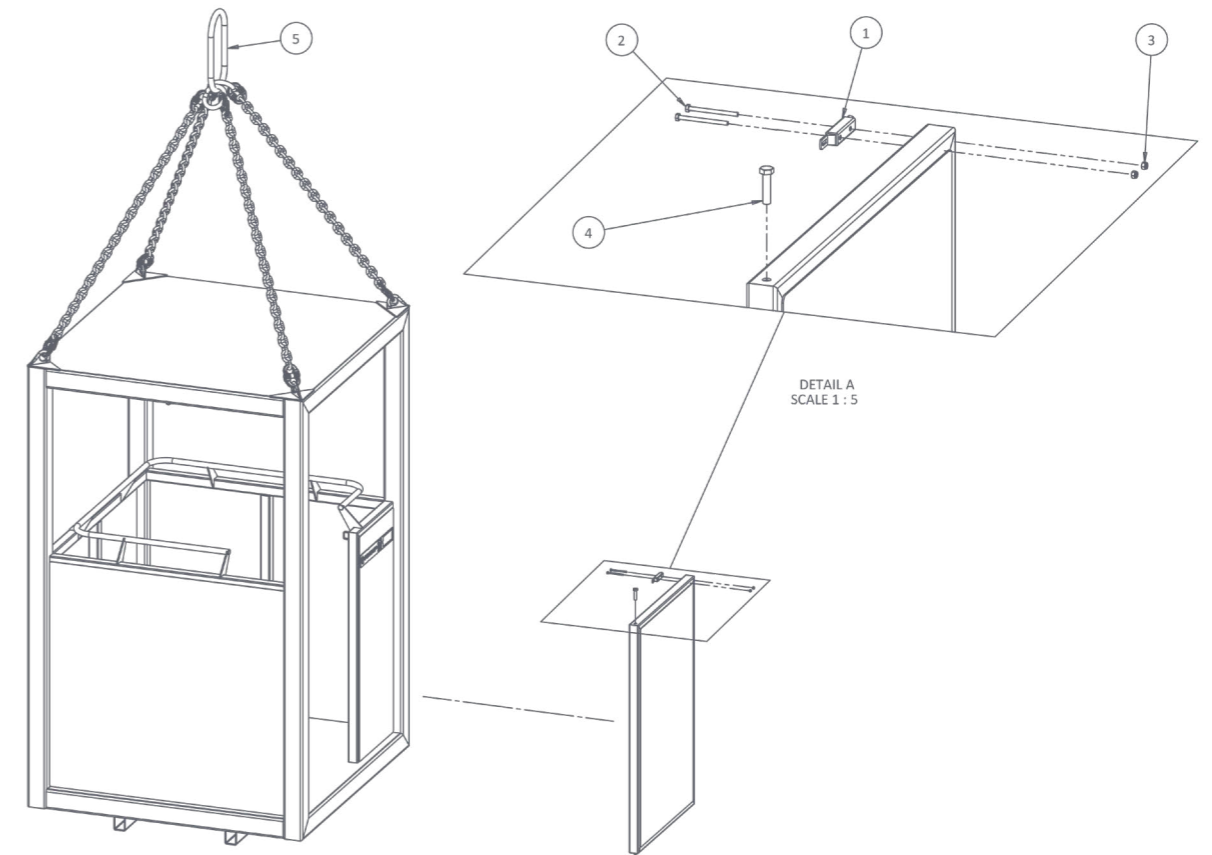


ITEM NUMBER	PART	DESCRIPTION	QUANTITY
1	CF1.5-10-4ZX8	Chain Assembly	1
2	CA120AB-00240-02	Cage Tray	1
3	NS800903	M6 x 100 Hex Head Set Screw	2
4	NS800881	M6 x 20 Hex Head Set Screw	6
5	NS800737	M6 Washer	12
6	NS800826	M6 Nyloc Nut	8
7	ZZ170001	End Slam Locking Catch	1
8	ZZ990009	6mm Linch Pin	2
9	ZZ990000	16mm Heel Pin	2

NOTE: These parts are for this model, they may differ for previous versions. Please contact Conquip with any queries.

PARTS DIAGRAM

4 PERSON ACCESS CAGE

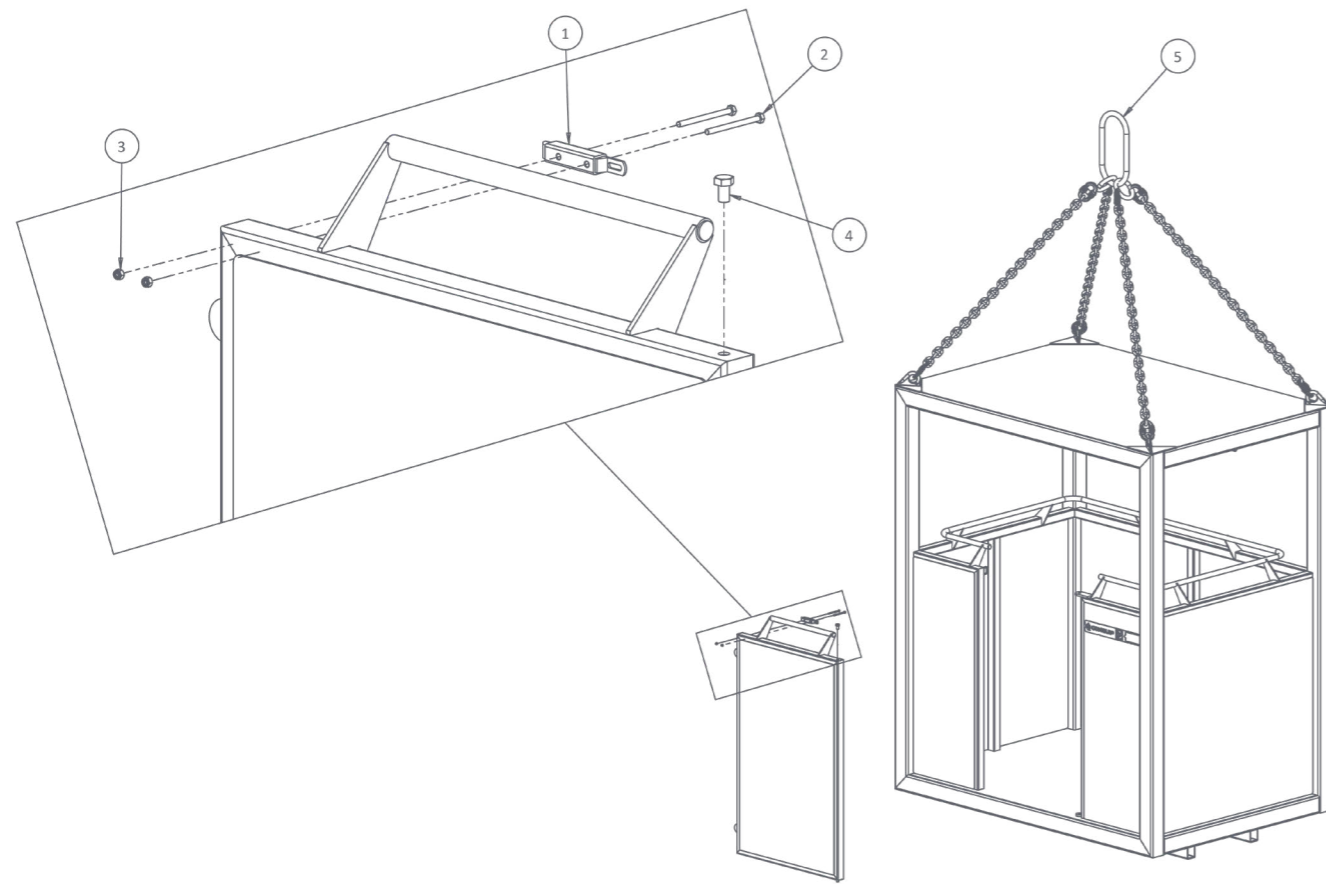


ITEM NUMBER	PART	DESCRIPTION	QUANTITY
1	ZZ170001	End Slam Locking Catch	1
2	NS800840	M6 x 80 Hex Head Set Screw	2
3	NS800826	M6 Nyloc Nut	2
4	NS800817	M12 x 50 Hex Head Set Screw	1
5	CF1.5-13-4ZX8	Chain Assembly	1

NOTE: These parts are for this model, they may differ for previous versions. Please contact Conquip with any queries.

PARTS DIAGRAM

6 PERSON ACCESS CAGE

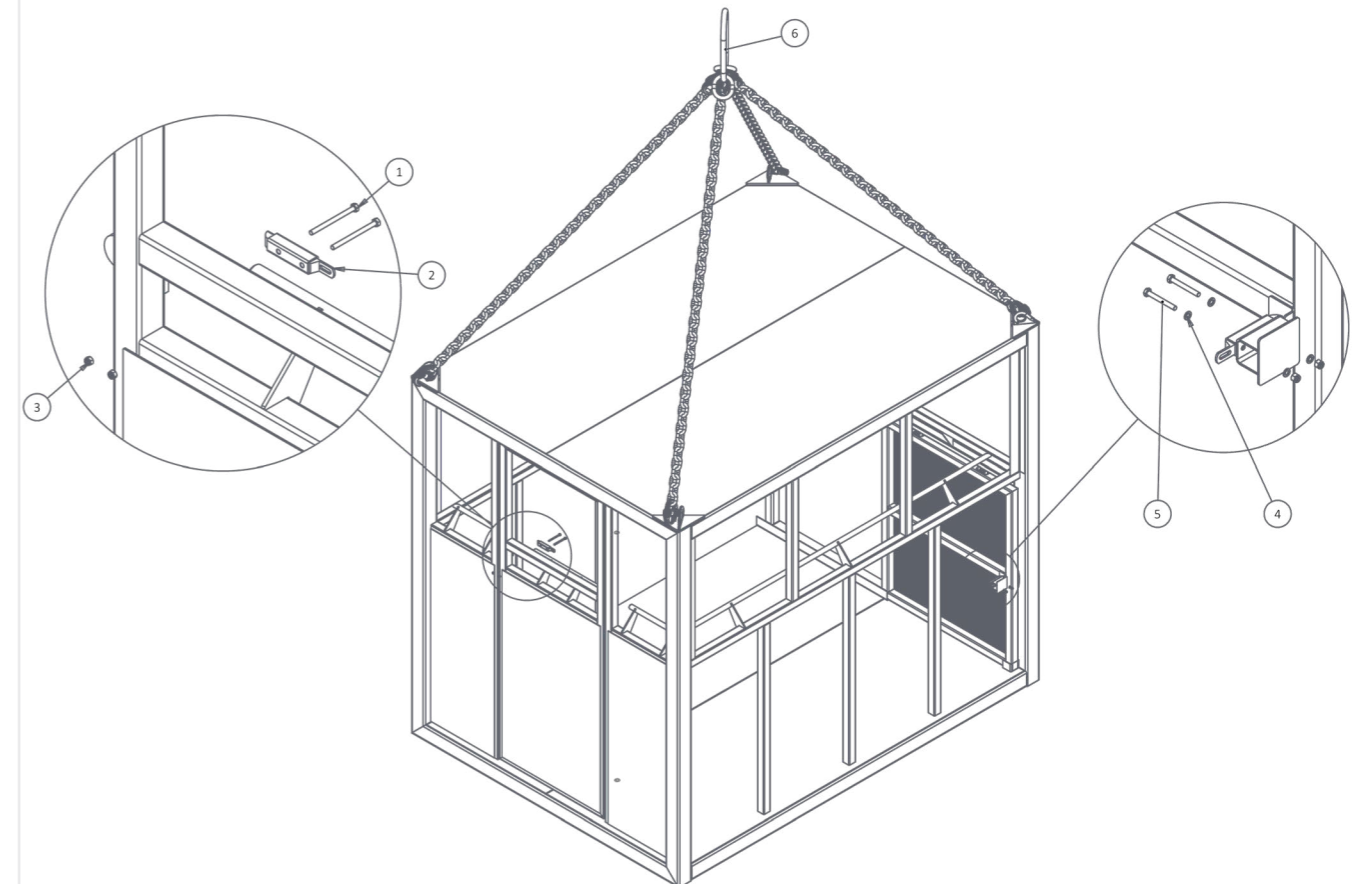


ITEM NUMBER	PART	DESCRIPTION	QUANTITY
1	ZZ170001	End Slam Locking Catch	1
2	NS800840	M6 x 80 Hex Head Set Screw	2
3	NS800826	M6 Nyloc Nut	2
4	NS800817	M12 x 50 Hex Head Set Screw	1
5	CF-2.1-13-4ZX8	Chain Assembly	1

NOTE: These parts are for this model, they may differ for previous versions. Please contact Conquip with any queries.

PARTS DIAGRAM

12 PERSON ACCESS CAGE



ITEM NUMBER	PART	DESCRIPTION	QUANTITY
1	CF2.4-16-4ZX1	Chain Assembly	1
2	ZZ170001	End Slam Locking Catch	1
3	NS800840	M6 x 80 Hex Head Set Screw	2
4	NS800826	M6 Nyloc Nut	2
5	NS800817	M12 x 50 Hex Head Set Screw	1

NOTE: These parts are for this model, they may differ for previous versions. Please contact Conquip with any queries.

OPERATIONAL PROCEDURES

IMPORTANT USAGE NOTES

- Each cage has been designed for a certain amount of people – refer to the specification details.
- Do not overload by volume or weight.
- Do not lean from the cage.
- Do not stand on the guardrails or place materials on them.
- Do not use boxes, steps or similar to gain extra height.
- Make sure all tools are tethered to relevant personnel or handrails.
- Do not use in high winds, storms, ice, snow, fog, sleet or other adverse weather conditions.
- Do not operate with other machinery simultaneously.
- Guide ropes and anchors should be used to prevent unintended movement.
- Comply with harness manufacturer's usage instructions.

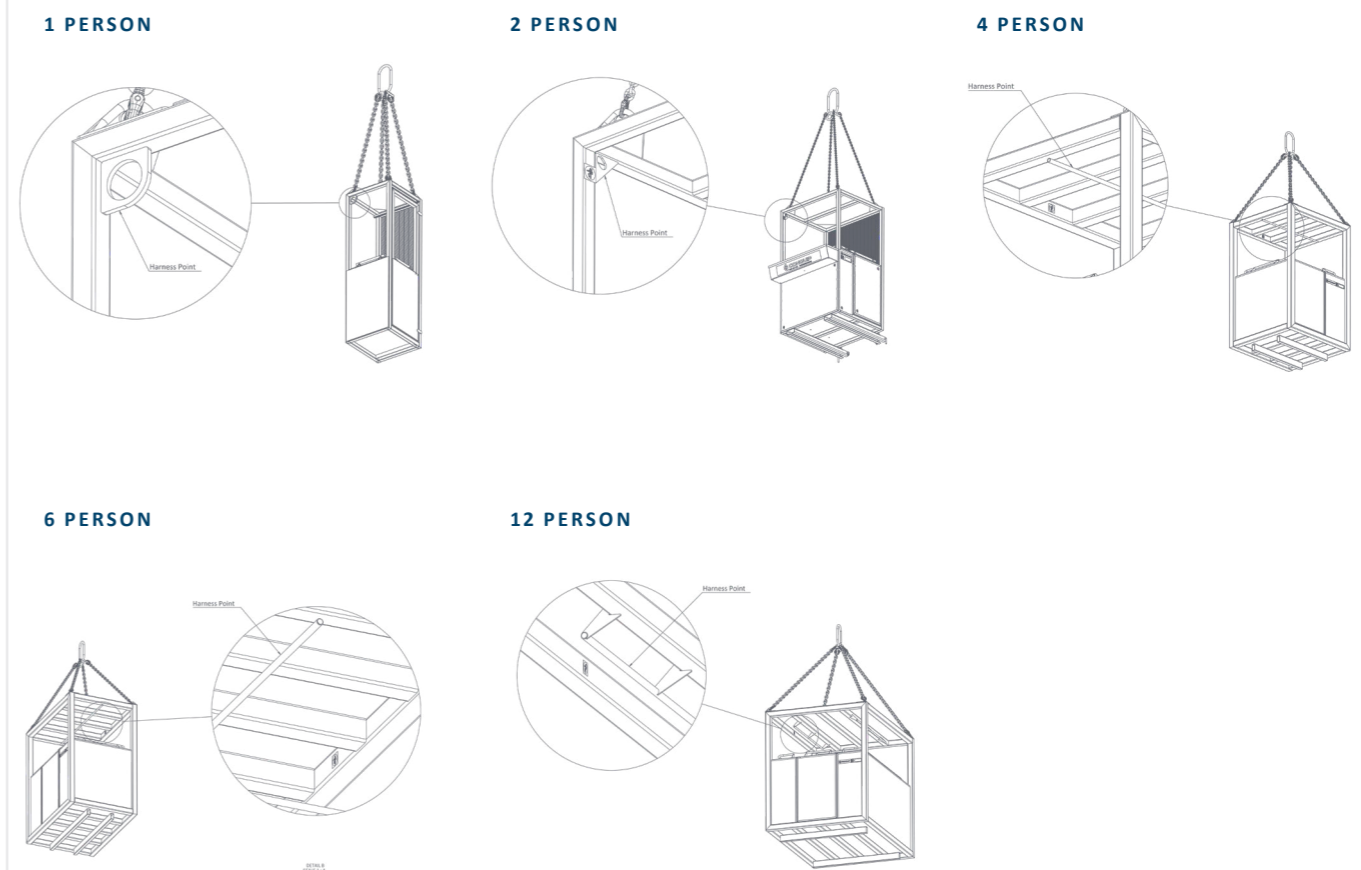
USING WITH A CRANE

01. Attach the lifting apparatus' hook to the Access Cage's certified four leg lifting chain. Always ensure that the hook's gate is correctly closed.
02. Personnel should enter the cage only when fully lowered.
03. Open the entry gate, enter the cage, then close the self-latching gate. Do not allow more people to enter the cage than it has been designed for.
04. When wearing a harness and restraint lanyard, attach the lanyard from the harness to the anchorage point. Ensure the length of the lanyard restricts access from the cage.
05. Carefully raise the cage just off the ground and check for balance and security.
06. Carefully transport the cage to its required destination, taking care not to jolt the load.
07. When in position, the cage can be lowered onto firm, level ground.
08. Having lowered the platform to the ground, exit and close the gate behind you. Do not exit the platform unless at ground level. Do not exit unless the cage is stationary and stable.
09. When you have finished with the cage, take it to its storage position and remove from the forklift or crane. If attached to a crane, lower the lifting hook and disconnect the cage's 4-leg lifting chain from the crane hook.
10. Do not remove the lifting chain from the cage.

USING WITH A FORKLIFT (2 PERSON CAGE ONLY)

01. To attach the Access Cage to a forklift, first release the heel pin by removing the linch pin and pulling from the attachment. Set the machine's forks to the correct width for the Access Cage's fork pockets. Make sure that they are equidistant from the centre.
02. Drive the forklift to the Access Cage aligning the forks with the Access Cage fork pockets. Double check that all is correctly aligned, then move the forklift forward until the forks are fully inserted into the fork pockets.
03. Apply the park brake and switch off the forklift engine.
04. Insert the heel pin, ensuring it passes behind the heel of the fork, and use the linch pin to lock the heel pin in place. The Access Cage is now ready for use.
05. While the cage is elevated, the forklift operator must remain at the controls and the forklift must not be capable of movement, including tilt or side shift and chassis or mast levelling. The cage is not suitable for use on variable reach trucks that can lift to a nominal height greater than 6 metres, in accordance with PM28 fourth edition.
06. See steps 02-10 on page 16 for instructions on how to use the cage.

HARNESS ATTACHMENT POINTS



MAINTENANCE & INSPECTION

MAINTENANCE REGIME

- It is mandatory that the machinery equipment is thoroughly examined regularly, by a qualified engineer, to ensure compliance with relevant regulations. Conquip recommend carrying out a thorough examination every six months.
- This machinery may incorporate various loose and detachable items including, but not limited to pins, bolt assemblies and adaption plates. Refer to the separate requirements for the safe use of those items.
- When not being used, store the unit in a clean, upright condition and in a safe place where it will be protected from thieves and unauthorised users.
- This machinery must be inspected by the responsible person before each use and then regularly, as determined by your risk assessment or working practice. If you have any concerns about the machinery's condition or suitability, do not use it.

VISUAL INSPECTION CHECKLIST

INSPECTION ITEMS	RESULTS		COMMENTS
	SATISFACTORY	UNSATISFACTORY	
Serial Number			CQ.....
Product Code			
Working Load Limit (Kg)			
Conforms to user guide specification			
Fork retaining pins for damage [2 Person Cage ONLY]			
Fork retaining pin safety clips in place [2 Person Cage ONLY]			
Tool tray fixings tight [2 Person Cage ONLY]			
Master link / chain links damaged corroded			
Lift eyes bent / worn			
Harness points damaged			
Gate latch operational			
Handrail damaged			
Floor clean / clear of obstacles			
General visual inspection of the body			
SIGNATURE			
Name	Position	Qualification	Signature & Date

GENERAL SAFETY INSTRUCTIONS

The machinery should be properly operated and maintained to keep it in a safe, efficient operating condition. Be sure that all fixings and components are free of mud or other matter that might cause issues hazardous to the operator, serviceman, or other personnel or equipment. Report all malfunctions to those responsible for maintenance, and do not operate the equipment until corrected. Normal service or maintenance performed as required can prevent unexpected and unnecessary downtime.

This operations manual describes general inspections, servicing and operation with the normal safety precautions required for normal servicing and operating conditions. It is not a guide, however, for abnormal conditions or situations, and therefore, servicemen and operators must be safety conscious and alert to recognise potential servicing or operating safety hazards at all times, and take necessary precautions to assure safe servicing and operation of the machine.



M002
Refer to instructions manual



M004
Wear eye protection



M008
Wear safety footwear



M009
Wear protective gloves



M010
Wear protective clothing



M014
Wear head protection



M015
Wear high-visibility clothing

GENERAL NOTES

- Read this operations manual and learn the operating characteristics and limitations of the machinery. Know what operating clearances the machine requires.
- Read and understand all the safety signs prior to operation.
- If the safety signs are obstructed by dirt or debris, clean them using mild soap and water prior to operation.
- If the safety signs are damaged or illegible, replace them immediately, prior to operation.
- Be aware of operating hazards that weather changes can create on the job. Know proper procedures to follow when a severe rain or electrical storm strikes.
- Never attempt to operate or work on machinery when not feeling physically fit.
- Never wear loose clothing, rings, watches, heavy gloves etc., that might catch and result in injury.
- Know what safety equipment is required and use it. Such equipment may be: hard hat, safety glasses, reflector type vests, protective gloves and safety footwear.

TERMS & CONDITIONS

CONQUIP ENGINEERING GROUP STANDARD PRODUCT WARRANTY

01. COMMENCEMENT

1.1 This Warranty shall commence on the Commencement Date and shall continue until the earlier of:

- (a) the Expiry Date; or
- (b) the date on which it may be voided in accordance with clause 4.1(b)

when it shall terminate automatically without notice.

02. DUTY OF GOOD FAITH

2.1 The Purchaser shall in the exercise of its rights under this Warranty and in the compliance with its obligations under this Warranty be subject to and shall in all respects owe and comply with a duty of good faith to the Warrantor.

03. NATURE AND EXTENT OF COVER

3.1 Subject to clause 3.2 the Warrantor agrees and undertakes to the Purchaser that it shall be liable to the Purchaser under and in accordance with the terms of this Warranty in the event that:

- (a) prior to the Expiry Date the Purchaser shall notify a Warranty Claim to the Warrantor; and
- (b) the Equipment or any relevant part of the Equipment shall have become unusable as the result of defective material or defective workmanship prior to the Expiry Date.

3.2 The Warrantor's obligation under clause 3.1 shall be expressly subject to the provisions of clauses 4, 5 and 6 and conditional upon the Purchaser's compliance in full with the provisions of clause 7.

04. RESTRICTIONS

4.1 The following restrictions apply to this Warranty:

(a) This Warranty is personal to the Purchaser and neither the legal benefit nor legal burden of this warranty may be assigned or novated or otherwise transferred by the Purchaser to any other party. Any purported assignment, novation or transfer shall not be binding upon the Warrantor.

(b) This Warranty shall be void in the event that the Purchaser:

(i) cannot provide authentic and original documentary evidence that the Purchaser has during the period between the Commencement Date and the Expiry Date complied with the Maintenance and Servicing Requirements; and/or

(ii) has, during the period between the Commencement Date and the Expiry Date, exceeded the Purchaser's Usage Cycle Parameters; and/or

(iii) has, during the period between the Commencement Date and the Expiry Date, exceeded the Purchaser's Use Parameters; and/or

(iv) has carried out, or procured the carrying out by any third party of, any repair to the Equipment or any part of the Equipment which is not an Authorised Repair; and/or

(v) has operated the Equipment after having replaced any part of the Equipment with a part which has not been supplied and fitted by the Warrantor; and/or

(vi) has modified the Equipment in any way prior to use.

05. EXCLUSIONS

5.1 The following are excluded from the scope of this Warranty:

(a) Loss of and/ or damage to the Equipment or any part of it resulting from any collision between the Equipment and any other fixed or stationary or mobile object whatsoever, irrespective of whether that collision was or was not caused by the Purchaser; and/or

(b) Loss of and/or damage to any personal property and/or possessions or other equipment not forming part of the Equipment but which is present in or about the Equipment; and/or

(c) loss and/or damage which is covered by any other insurance policy taken out and maintained by the Purchaser or in respect of which the Purchaser has a contractual obligation to do so; and/or

(d) loss and/or damage to the equipment which is consistent with the use by the Purchaser of the Equipment:

(i) in compliance with the Maintenance and Servicing Requirements; and

(ii) in compliance with the Usage Cycle Parameters; and

(iii) in compliance with the Use Parameters; and

(iv) having only carried out Authorised Repairs to the Equipment; and

(v) having all and any replacement parts fitted by the Warrantor; and

(vi) in unmodified form.

06. LIMITATION OF LIABILITY

6.1 The Warrantor's liability to the Purchaser shall be limited as follows:

- (a) The Warrantor shall not in any circumstances be liable to the Purchaser for indirect and/or consequential and/or economic loss suffered and/or incurred as the case may be by the Purchaser; and
- (b) The Warrantor shall only be liable to the Purchaser for the reasonable and proper costs reasonably and properly incurred by the Purchaser directly in connection with the repair and/or replacement (at the Warrantor's absolute discretion) of the Equipment or any part of the Equipment; and
- (c) The Warrantor's liability to the Purchaser shall notwithstanding any other provision of this Warranty, not in any circumstances exceed the Purchase Price of the Equipment.

07. WARRANTY CLAIMS

7.1 The Purchaser shall in respect of any claim against the Warrantor under this Warranty and within 24 hours of the occurrence of the subject matter of the Warranty Claim:

- (a) Complete in full and submit to the Warrantor a Warranty Claim in the form annexed to Schedule 4;
- (b) Provide date stamped or date identifiable photographs evidencing the claim; and
- (c) Make the Equipment or the relevant part of the Equipment available to the Warrantor for inspection within 48 hours of notification of the relevant Warranty Claim.

08. ENTIRE AGREEMENT

8.1 This Warranty constitutes the entire agreement between the parties and supersedes and extinguishes all previous promises, assurances, warranties, representations and understandings between them, whether written or oral, relating to its subject matter.

8.2 Each party agrees that it shall have no remedies in respect of any statement, representation, assurance or warranty (whether made innocently or negligently) that is not set out in this Warranty. Each party agrees that it shall have no claim for innocent or negligent misrepresentation or negligent misstatement based on any statement in this Warranty.

No variation of this Warranty shall be effective unless it is in writing and signed by the parties (or their authorised representatives).

09. WAIVER

No failure or delay by a party to exercise any right or remedy provided under this Warranty or by law shall constitute a waiver of that or any other right or remedy, nor shall it prevent or restrict the further exercise of that or any other right or remedy. No single or partial exercise of such right or remedy shall prevent or restrict the further exercise of that or any other right or remedy.

10. SEVERANCE

10.1 If any provision or part-provision of this Warranty is or becomes invalid, illegal or unenforceable, it shall be deemed deleted, but that shall not affect the validity and enforceability of the rest of this Warranty.

10.2 If any provision or part-provision of this Warranty is deemed deleted under clause 10.1 the parties shall negotiate in good faith to agree a replacement provision that, to the greatest extent possible, achieves the intended commercial result of the original provision.

11. THIRD PARTY RIGHTS

11.1 This Warranty does not give rise to any rights under the Contracts (Rights of Third Parties) Act 1999 to enforce any term of this Warranty.

12. GOVERNING LAW

12.1 This Warranty and any dispute or claim (including non-contractual disputes or claims) arising out of or in connection with it or its subject matter or formation shall be governed by and construed in accordance with the law of England and Wales.

13. JURISDICTION

13.1 Each party irrevocably agrees that the courts of England and Wales shall have exclusive jurisdiction to settle any dispute or claim (including non-contractual disputes or claims) arising out of or in connection with this Warranty or its subject matter or formation.

EC DECLARATION OF CONFORMITY

IN ACCORDANCE WITH EN ISO 17050-1:2004

Declaration: As defined by the Machinery Directive 2006/42/EC and subsequent amendments

We, CONQUIP ENGINEERING GROUP, herewith declare that the following indicated equipment meets the fundamental health and safety requirements concerning the EU guideline(s), due to their design and manufacture.

This declaration will be rendered null and void if the machine is changed without our approval.

SIGNED:



DATED: 2024

Garry Critchley, Managing Director

PRODUCT CODES	GENERAL DESCRIPTION / DESIGNATION	WORKING LOAD LIMIT
CA126-00120	1 Person Access Cage	120kg
CA120AB-00240	2 Person Access Cage	240kg
CA123-00480	4 Person Access Cage	480kg
CA123-00720	6 Person Access Cage	720kg
CA123-01440	12 Person Access Cage	1440kg

ITEM	CODE	DESCRIPTION
EC DIRECTIVE / REGULATION	2006/42/EC	Directive 2006/42/EC- new machinery directive
HARMONISED STANDARDS	BS EN ISO 12100:2010	Safety of machinery General principles for design Risk assessment and risk reduction
	BS EN 1993-1-1: 2005	Eurocode 3. Design of steel structures General rules and rules for buildings
OTHER REGULATIONS	LOLER 1998	Lifting Operations and Lifting Equipment Regulations 1998 (LOLER)
	PUWER 1998	Provision and Use of Work Equipment Regulations 1998 (PUWER)

TALKING TO US IS EASY
WE'RE HERE TO HELP

Call us on 0333 300 3470
Email us at sales@cqegroup.com
www.cqegroup.com

