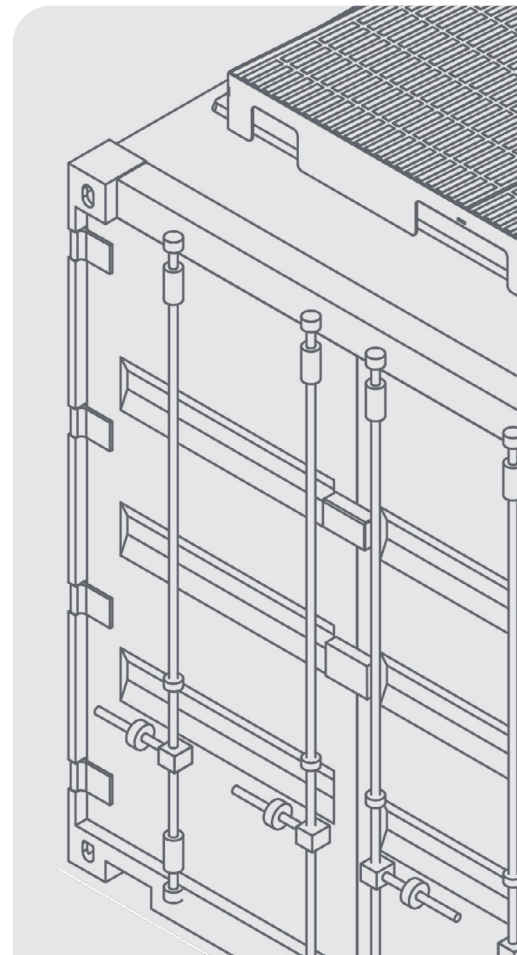


USER GUIDE

FUEL ECO-HUB



DISCLAIMER

Do not attempt to handle or operate this equipment before you have received sufficient training. Before use, operatives must have carried out all checks featured on the Visual Inspection Sheet on page 23. It is imperative that you have read the General Safety Instructions on page 24 and sufficiently familiarised yourself with the Operational Procedures in this document.

Note that this item is compliant only to the standards specified in this User Guide and it is therefore the duty of the responsible person(s) to review and ensure compliance.

CONTENTS

PRODUCT INFORMATION

INTRODUCTION	04
SPECIFICATION	05
PARTS DIAGRAM	07

OPERATIONAL PROCEDURES

IMPORTANT USAGE NOTES	08
APP SET UP	08
REFUELLING	09
FUEL MANAGEMENT	10
TROUBLESHOOTING	16

MAINTENANCE & INSPECTION

MAINTENANCE REGIME	22
VISUAL INSPECTION SHEET	23

GENERAL SAFETY INSTRUCTIONS

SAFETY INSTRUCTIONS	24
GENERAL NOTES	25

LEGAL

TERMS AND CONDITIONS	26
EC DECLARATION OF CONFORMITY	30
STANDARDS AND REGULATIONS APPLICABLE	31

INTRODUCTION

OVERVIEW

A stand-alone, central hub for fuel management on-site.

The Fuel Eco-Hub is a robust, secure, weatherproof container for safely storing fuel and monitoring its usage. A large capacity fuel tank can accommodate all machinery and vehicles on-site and reduces refill frequency.

A digital fuel management system records usage data onto an app, including driver or operator name, date, mileage, and vehicle or machine details. The data is stored on an online portal for real time fuel usage monitoring and the ability to export reports.

Additional security bolts and lockable doors prevent fuel theft and solar panels on the roof of the unit ensure the Fuel Eco-Hub can be situated in any location on-site, providing a total 'off-the-grid' fuel management solution.

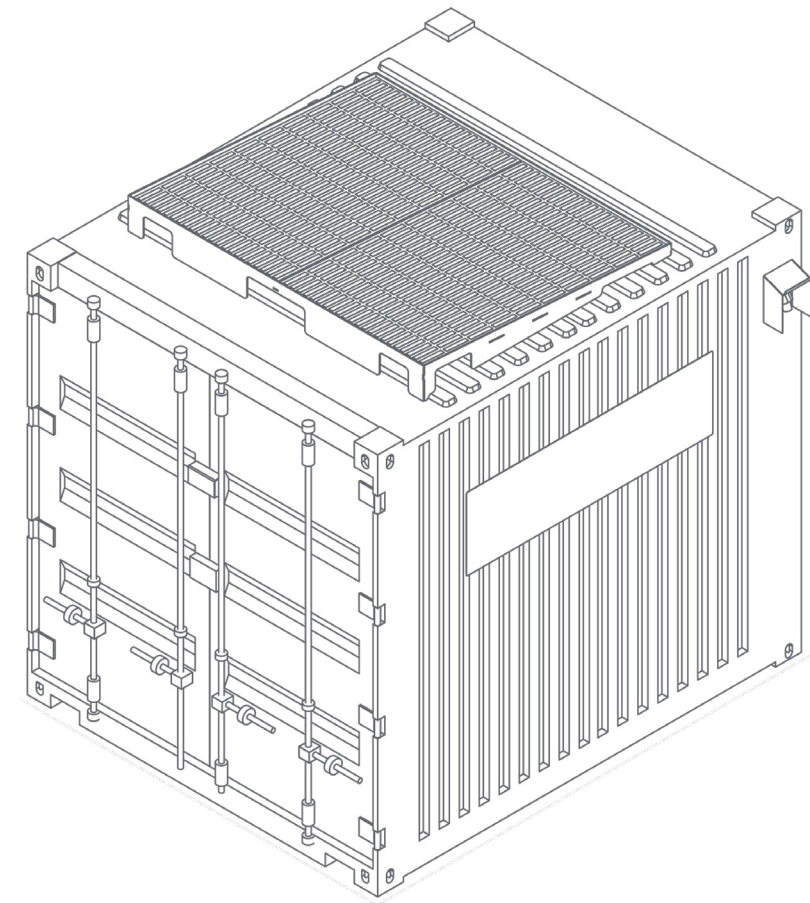
KEY BENEFITS

- Large capacity 2000-litre fuel tank included as standard.
- Solar panels ensure unit is fully stand-alone.
- Fuel is securely locked away, preventing theft.
- Fuel dispenser with K600 flow meter and 4m delivery hose.
- App and online portal work in conjunction with each other providing real time fuel usage data.
- Fire Extinguisher.
- Maintenance Spill Kit.

OPTIONAL EXTRAS

- 3000-litre fuel tank.
- IBC for Ad Blue storage.
- Electric dispensing pump for Ad Blue.
- Electronic Tank Level Monitor.

SPECIFICATION

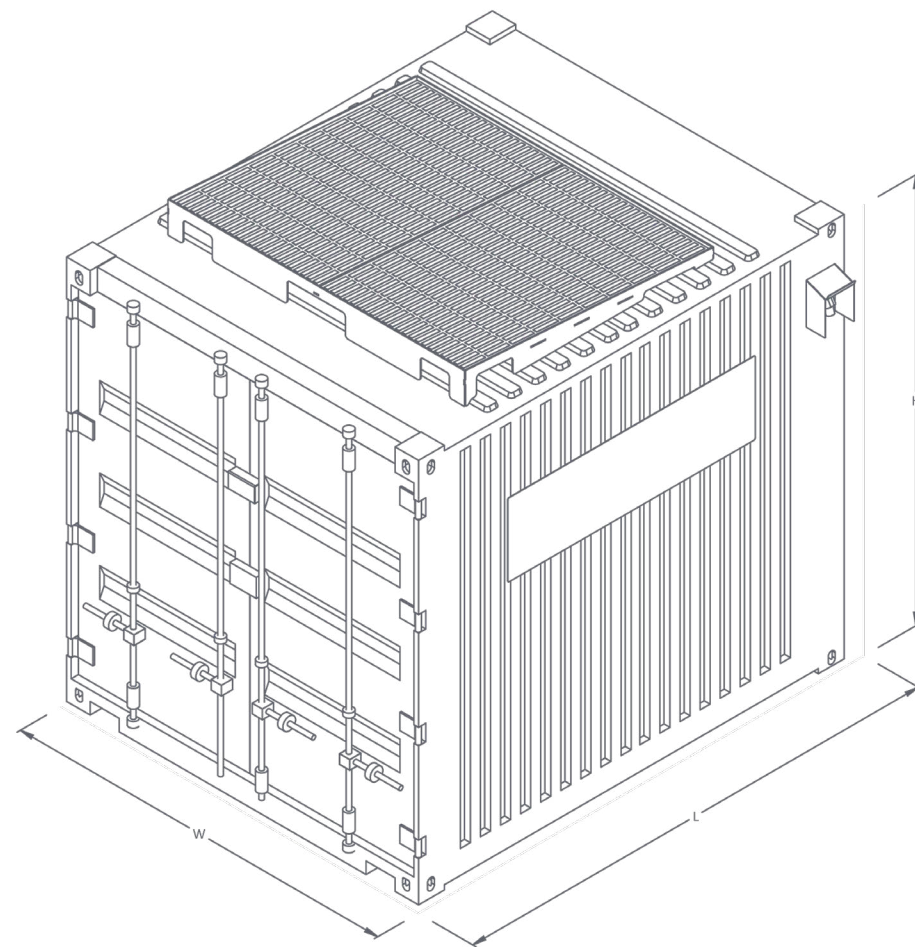


CODE	WEIGHT (kg)	FUEL TANK CAPACITY (litres)
ST140AC-16000	2400*	2000**

*Combined weight of container and empty fuel tank. Subject to change depending on your configuration.
 **3000-litre fuel tank available upon request.

SPECIFICATION

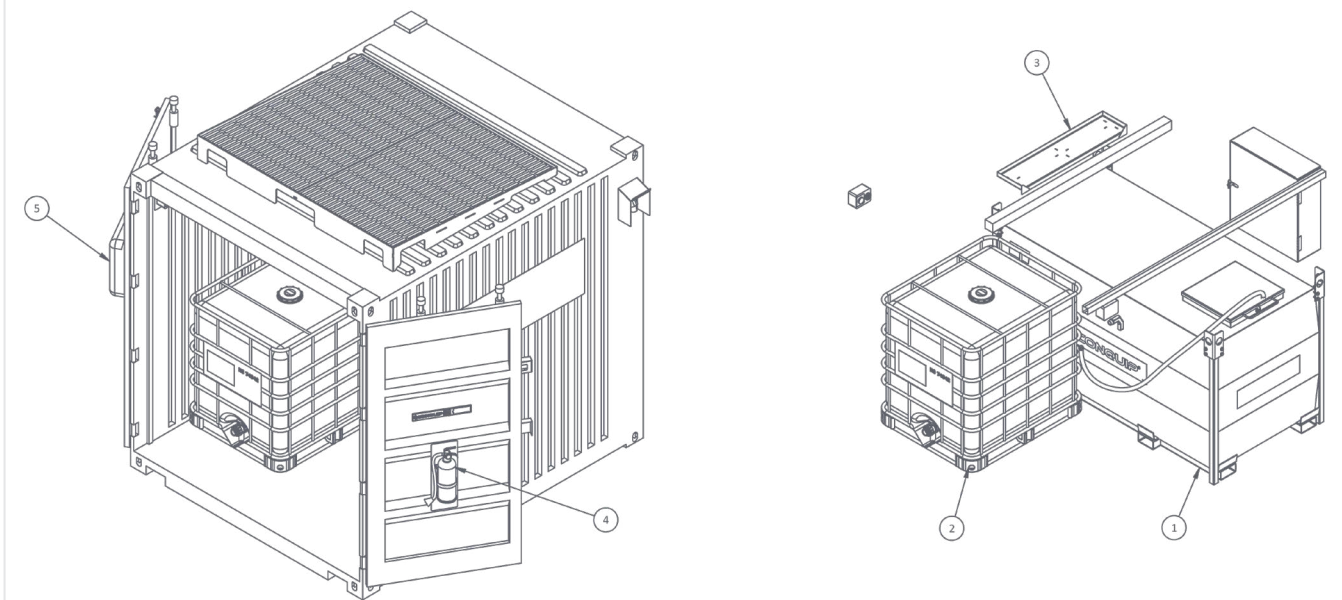
ITEM	PRODUCT CODE
Fuel Eco-Hub	ST140AC-16000



LENGTH (mm)	WIDTH (mm)	HEIGHT (mm)
2940	2570	2830

PARTS DIAGRAM

FUEL ECO-HUB



ITEM NUMBER	PART	DESCRIPTION	QUANTITY
1	FB602-02000*	2000-litre Fuel Tank	1
2	FB300-01000**	IBC	1
3	ST140AC-16000-02	Shelf	1
4	ZZ990914	Fire Extinguisher	1
5	PE201	Maintenance Spill Kit	1

* 3000-litre tank available if required.
 ** IBC not included but available as optional extra upon request.

OPERATIONAL PROCEDURES



IMPORTANT USAGE NOTES

- Make sure the Fuel Eco-Hub is secured at the end of each day.
- The fuel tank should be always locked so site personnel must use the electric pump to track fuel usage accurately.
- Check bund regularly for spills and only use Maintenance Spill Kit to clean them up.
- Carry out all checks in the Visual Inspection Checklist on page 15 before using the unit.

LIFTING WITH A FORKLIFT

01. Before moving the Fuel Eco-Hub, check the shelves are empty.
02. To lift the Fuel Eco-Hub with a forklift, set the machine's forks to the correct width of the fork pockets. Make sure that they are equidistant from the centre.
03. Drive the forklift to the Fuel Eco-Hub aligning the forks with the fork pockets.
04. Move the forklift forward until the forks are fully inserted into the fork pockets. The Fuel Eco-Hub is now ready to lift.
05. Carefully raise the hub just off the ground and check for balance and security.
06. Carefully transport the hub to its required destination, taking care not to jolt.
07. When in position, the hub can be lowered onto firm, level ground.
08. Reverse the forklift back and clear of the hub.

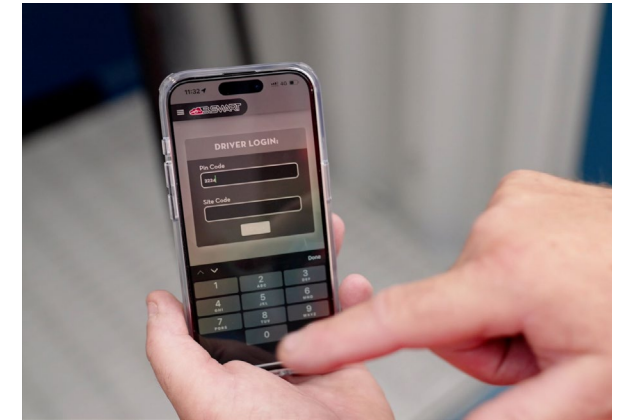
LIFTING WITH A CRANE

01. Only crane-lift the Fuel Eco-Hub when the fuel bowser and the shelves are empty.
02. Attach a suitable four leg chain sling to the four lifting points.
03. Carefully raise the hub just off the ground and check for balance and security.
04. Carefully transport the hub to its required destination, taking care not to jolt.
05. When in position, the hub can be lowered on to firm, level ground.
06. Detach the Fuel Eco-Hub from the lifting chains.

GETTING SET UP ON THE APP

Before authorised personnel can use the electric fuel pump in the Fuel Eco-Hub, the Piusi B.Smart app must have been installed on their device. These steps will explain how to set up the app.

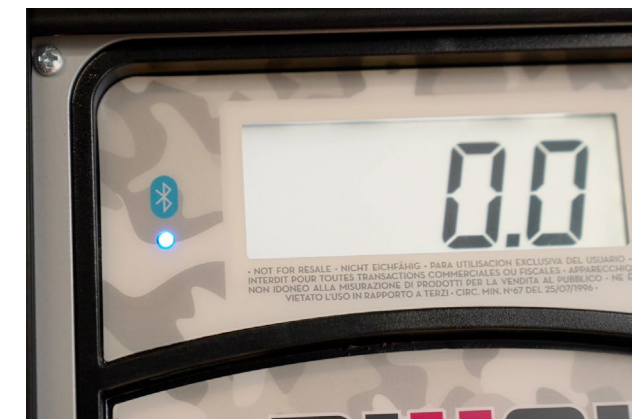
01. Download the free Piusi B.Smart App from your device's App Store.
02. Make sure the device being used has Bluetooth turned on.
03. Users should have an PIN Code and a Site Code supplied to them by Head Office. If this is not the case, contact Head Office. Do not contact Conquip for pin codes or site codes.
04. Open the Piusi B.Smart app.
05. Enter your assigned PIN Code and the Site Code in the boxes provided. They must exactly match the original entries to the Piusi B.Smart Online Portal to work.
06. The site code is only required once to set the app up.
07. The app should now open completely and say 'Welcome [DRIVER NAME]'.
08. The App is ready to use.



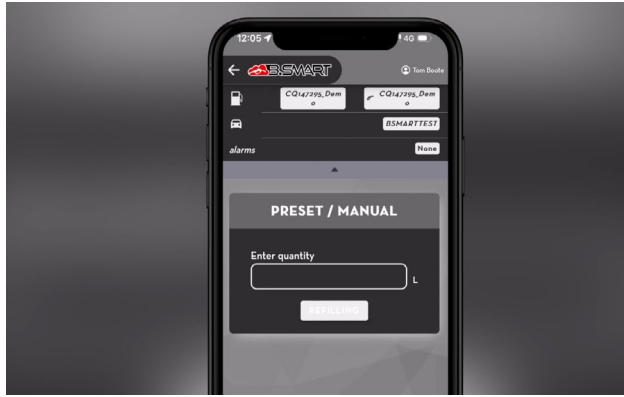
REFUELLING

To refuel a vehicle or machine, personnel must be authorised and have their PIN Code & Site Code readily available. Follow these steps to refuel.

01. Make sure Bluetooth is enabled on the device.
02. Open the Piusi B.Smart app.
03. Approach the pump and select the pump name from the list. Once selected, the panel will light up on the digital display of the pump and a blue light on the left of the display panel will illuminate to indicate the Bluetooth connection is active.
04. Start typing the vehicle registration number and if it has been registered on the online portal, it will show up in the list. Alternatively, the vehicle can be selected from the drop-down list.
05. Enter the vehicle's odometer reading, if prompted to do so. It cannot be less than the last figure entered.



- 06. Either click the 'REFILLING' button to start dispensing fuel or enter a pre-set quantity.
- 07. Once refuelling has started, the pump and Piusi B.Smart app will count the litres of fuel being dispensed simultaneously.



- 08. The Bluetooth connection from the device to the pump has a range of up to 15 metres, so the device can be left in the machine or vehicle while refuelling is in progress.
- 09. Once refuelling has been completed, a ticket will be displayed on the device and the data will be automatically sent to the online portal, subject to a WiFi or 3G, 4G, 5G connection. If the refuelling location is in an area where there is no WiFi or data coverage, the ticket is queued and then automatically uploaded to the portal once the device has a connection.



FUEL MANAGEMENT

One of the key advantages of using the Fuel Eco-Hub is the ability to monitor fuel usage per user and vehicle or machine. This section will explain how to use the online portal, add or revoke users and generate usage reports.

LOGGING INTO THE PORTAL

- 01. To login to the portal, you will need your username, password, and site code. All of these details will be provided by Conquip upon purchase of your first unit.
- 02. Username: This will typically be your company name.

- 03. Password: Enter your password.
- 04. Site Code: Site code is the company account number and will begin with 'SI' prefix.



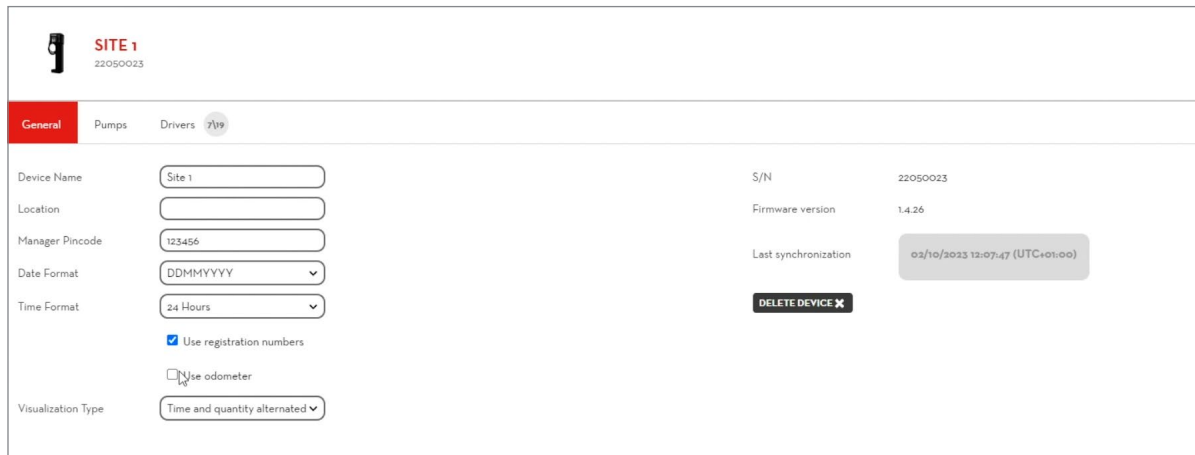
SETTING UP YOUR FUEL PUMPS

- 01. Upon purchase, Conquip will add your pump or pumps to your account. To view and amend the pump details, navigate to 'Site' on the side menu and select your pump.



- 02. Conquip has named your pump by the unique serial number on the Fuel Eco-Hub's ID plate and your delivery paperwork. It will start with the prefix 'CQ'. For identifying the correct pump to authorise users on, we recommend amending the name of your pump in relation to the site location. This will also help identify the correct pump when you generate and view usage reports.

03. To amend the pump name, edit the 'Device name' field on the 'General' tab.



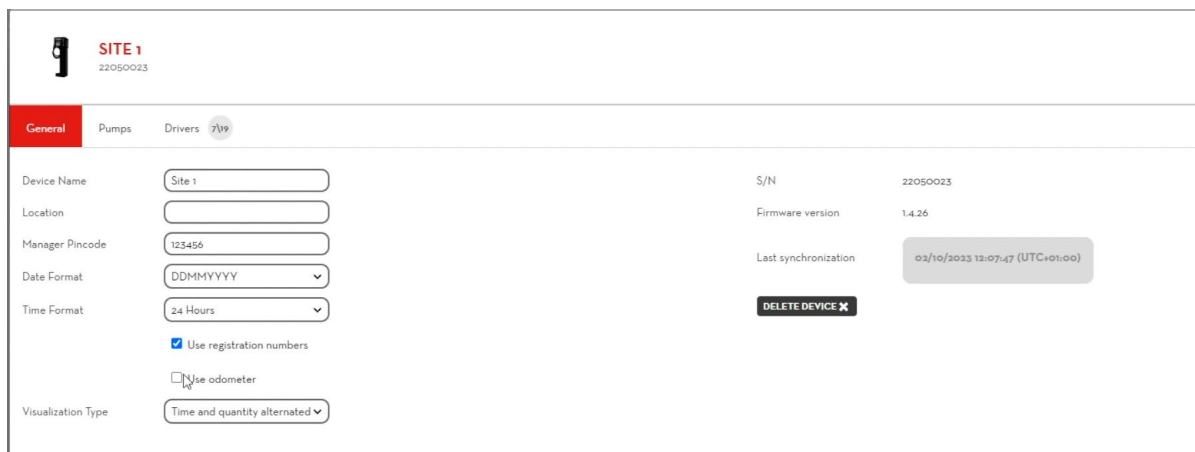
04. Our standard set up for each pump requires users to enter their vehicle registration number. Here you can uncheck this option, if required, and add hours or miles as a mandatory requirement for drivers by checking the 'odometer' option. Finally, hit 'save' to ensure your changes are completed.

05. If you have amended the pump name on the 'General tab', make sure you also amend the name on the 'Pumps' tab. Before you navigate away from either tab, don't forget to hit 'save' to ensure your changes are completed.

06. If you relocate your Fuel Eco-Hub to another site, we recommend renaming the pump in both the 'General' and 'Pumps' tabs for accurate reporting and usage monitoring.

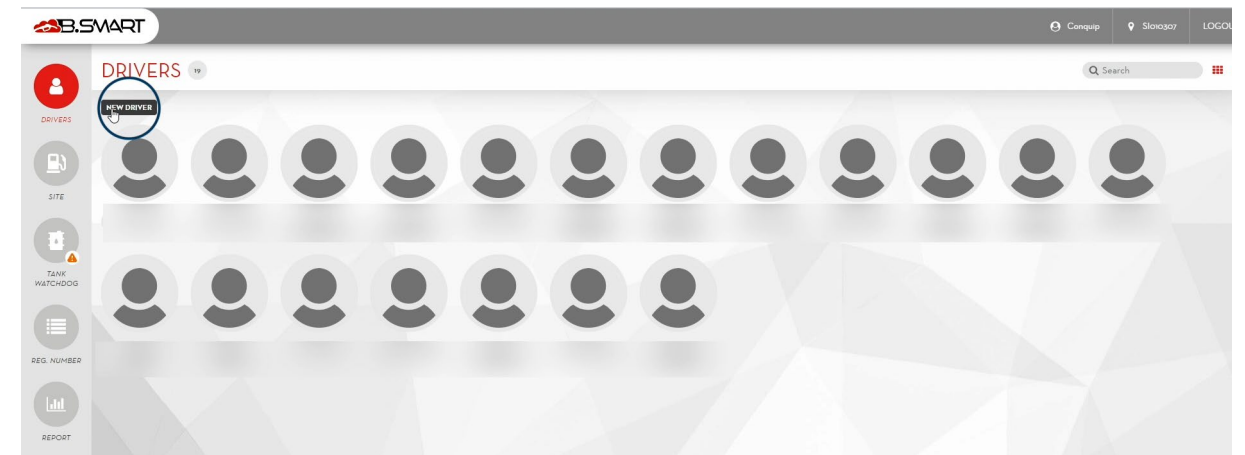
07. When you purchase a Fuel Eco-Hub, you will be provided with 10 user licences per unit. If you require more licences, these can be purchased from Conquip on request. If you have purchased multiple Fuel Eco-Hubs, you can use any of the 10 user licences you receive per unit across any of the Fuel Eco-Hubs.

08. If you have purchased additional licences, Conquip will provide you with a 'ADD-ON' code. To activate these new licences, navigate to 'Settings' on the side menu, click on the 'ADD-ON' tab, enter your 'ADD-ON' code into the field at the top of the screen and hit 'Activate'.



ADDING USERS

01. To add a new user, navigate to 'drivers' on the side menu and select 'new driver' from the top of the screen. Enter their first and last name. A 10-character pin code is automatically generated. This can be altered to any set of numbers, providing it is at least 4 digits.



02. However, every pin code must be unique to each user as this code will be required when the user logs into the app and operates a fuel pump. Now you have set up a user, the next step is to assign them to a pump.

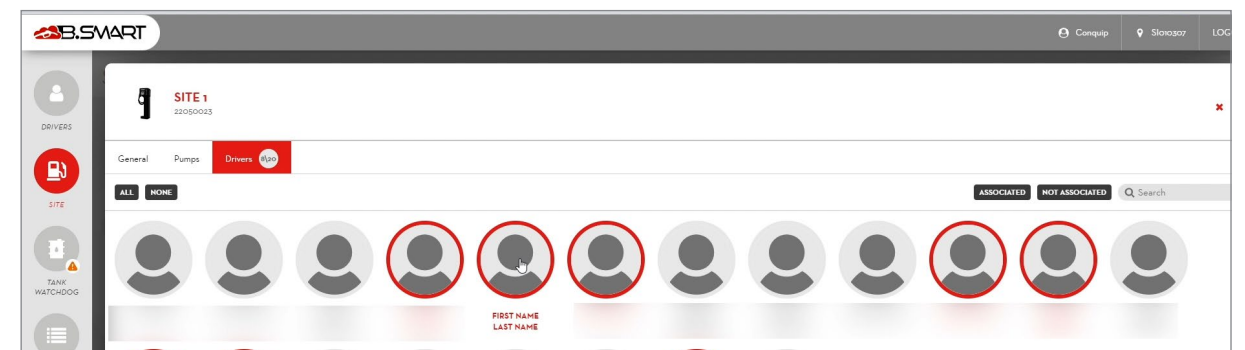
03. Multiple user information can be uploaded at any one time on the portal. To do this, head to 'Settings' on the side menu and navigate to the 'Uploading data' tab. We recommend downloading the template and filling out the fields. Once ready, upload to the portal by clicking the 'Upload excel file' button and selecting the spreadsheet from your computer.

ASSIGNING & AUTHORIZING USERS TO A PUMP

01. To assign a user to a pump, navigate to the 'Site' tab. Select the pump you wish to authorise the user on.

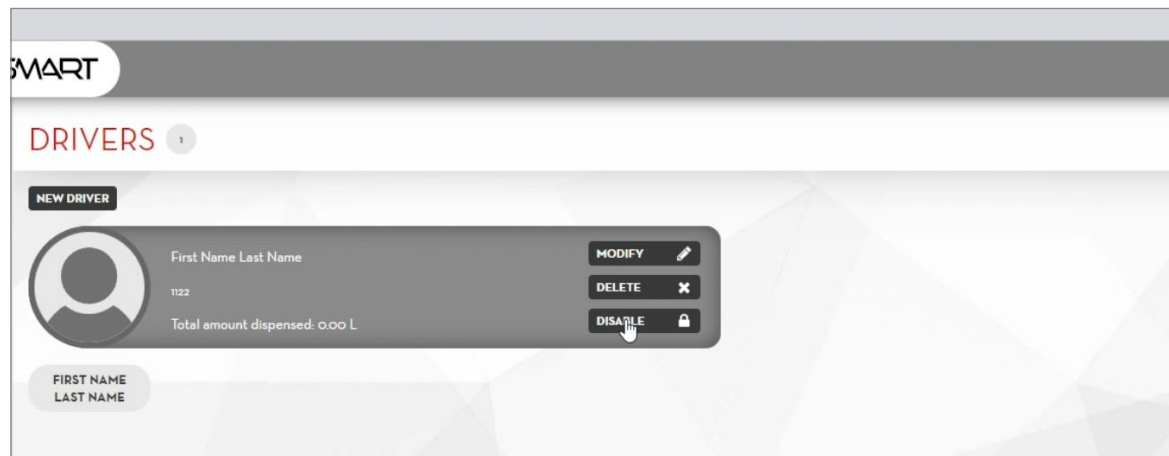
02. Navigate to the 'drivers' tab, click on the name of the user you wish to authorise. A red circle will appear around their name. Hit 'save' to confirm authorisation.

03. Important: Once you have assigned a user to a pump, you will need to instruct the user to download the Piusi B.Smart app onto their device and provide them with their login details – pin code and site code.



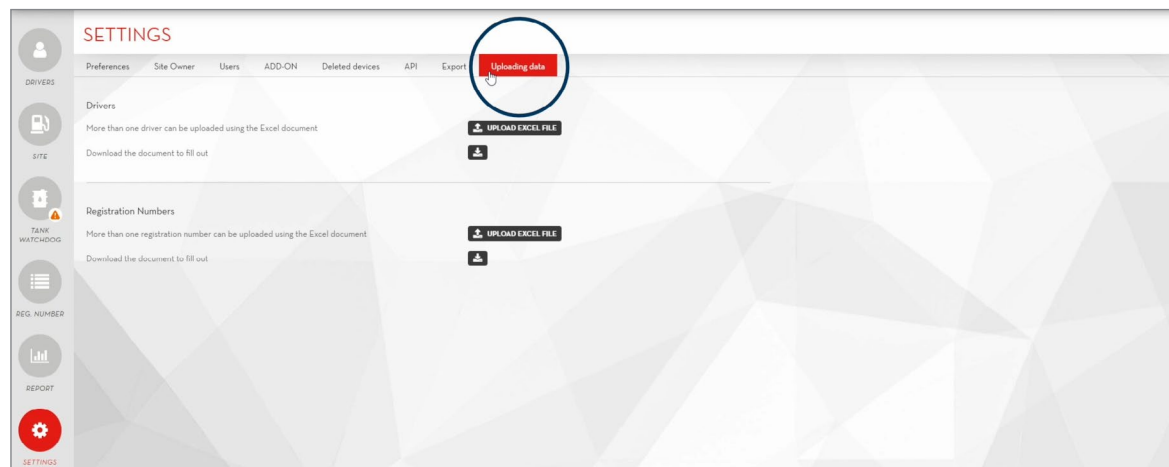
REVOKING USERS

01. Should a user leave the company, or you wish to suspend their access to a pump, you can do this by navigating to 'drivers' on the side menu and selecting the user you wish to update.
02. Alternatively, you can use the 'search' function at the top right of the screen to find their details.
03. By selecting 'disable' you prevent the user from accessing the pump.
04. By selecting 'delete' you both prevent their access and remove their profile from the system.



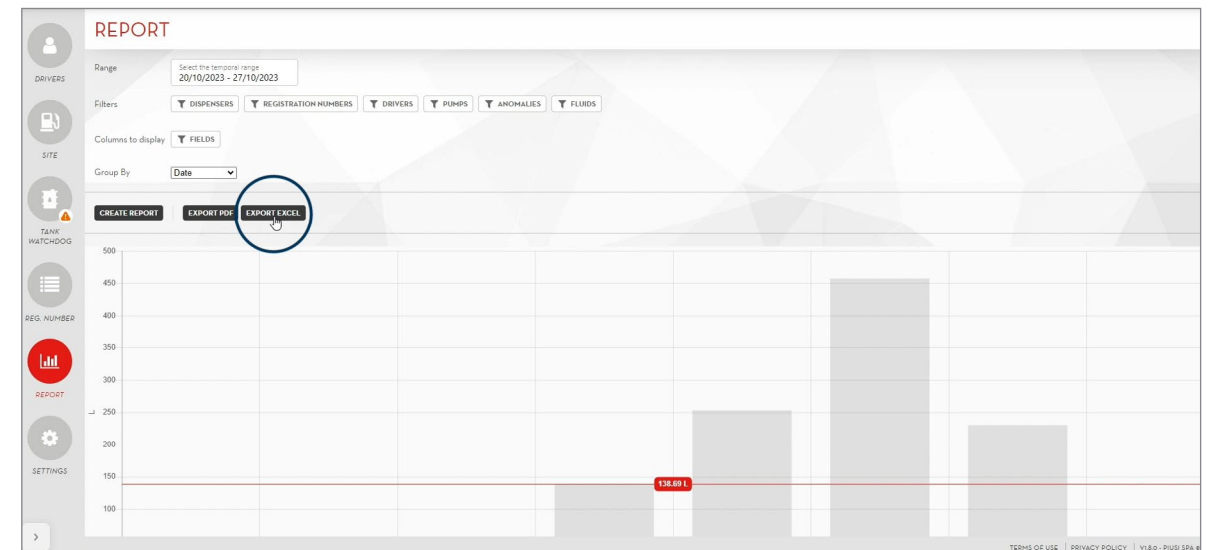
UPLOADING VEHICLE DATA

01. Vehicle information, such as registration numbers, can be uploaded via the Puius B.Smart app when a user uses a pump. However, you can also add a vehicle through the portal.
02. To do this, head to 'Reg number' on the side menu and select 'New reg number'. Enter the reg number in the designated field. In the odometer field, you can determine whether a user must enter hours, miles, kilometres, or none. If set to 'none', the user will not be prompted to record their data when they fill up their vehicle or machine.
03. Multiple vehicle's information can be uploaded at any one time on the portal. Head to 'Settings' on the side menu and navigate to the 'Uploading data' tab. We recommend downloading the template and filling out the fields. Once ready, upload to the portal by clicking the 'Upload excel file' button and selecting the spreadsheet from your computer.



USAGE REPORTING

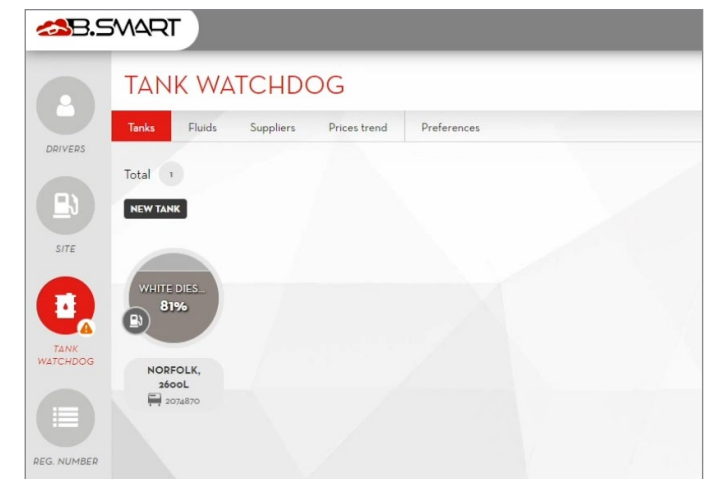
01. Reporting is one the key tools for monitoring fuel distribution and making plant and vehicles' fuel usage more efficient.
02. Reports can be generated in PDF or Excel spreadsheet formats.
03. To run a report, select the 'Report' tab from the side menu. Enter a preferred date range, add any filters, such as pumps, registration numbers, drivers (users), and hit 'create report'. You can then either export as a PDF or an Excel spreadsheet.



04. If you export in the excel spreadsheet format, you will all have all the functionality of excel. This means if you have given a sub-contractor a user licence and have an agreement to charge them for the fuel they use, you will have the data necessary to create an invoice, making administration more efficient.

ELECTRONIC TANK LEVEL MONITOR

01. The Electronic Tank Level Monitor, an optional extra, enables users to view real time fuel levels in their tanks keeping on top of replenishment, ensuring downtime on-site is minimal.
02. If you have purchased the electronic tank level monitor, you will be able to view the diesel levels within your tanks by navigating to 'Tank Watchdog' on the side menu.



TROUBLESHOOTING

In the unlikely event that the Fuel Eco-Hub is not performing to optimum levels, our Onsite Engineers are on-hand to support any site.

However, here are a few troubleshooting tips to try before booking an engineer visit...

LOW SOLAR POWER

If the solar power is low, the pump and electrics may not perform to the required levels.

Here are a few tips to address this.

01. Review location – is the unit in the shade or under tree cover? The Fuel Eco-Hub should ideally be positioned where it can be reached by direct sunlight. The solar panels are slanted upwards for maximum exposure to the sun, so for best results Conquip recommend positioning the unit with the panels facing in a southerly direction.



02. Remove any dirt, leaves, snow, or any debris from the solar panels. The panels should be cleaned at least every 3 months or sooner depending on weather conditions.
03. During the winter months, weather conditions deteriorate and there are less hours of sunlight. If the solar levels are still low, contact Conquip to book an engineer visit. To avoid downtime on-site in the interim, insert the supplied 240V cable into the external socket of the unit and plug into either mains power or a generator.

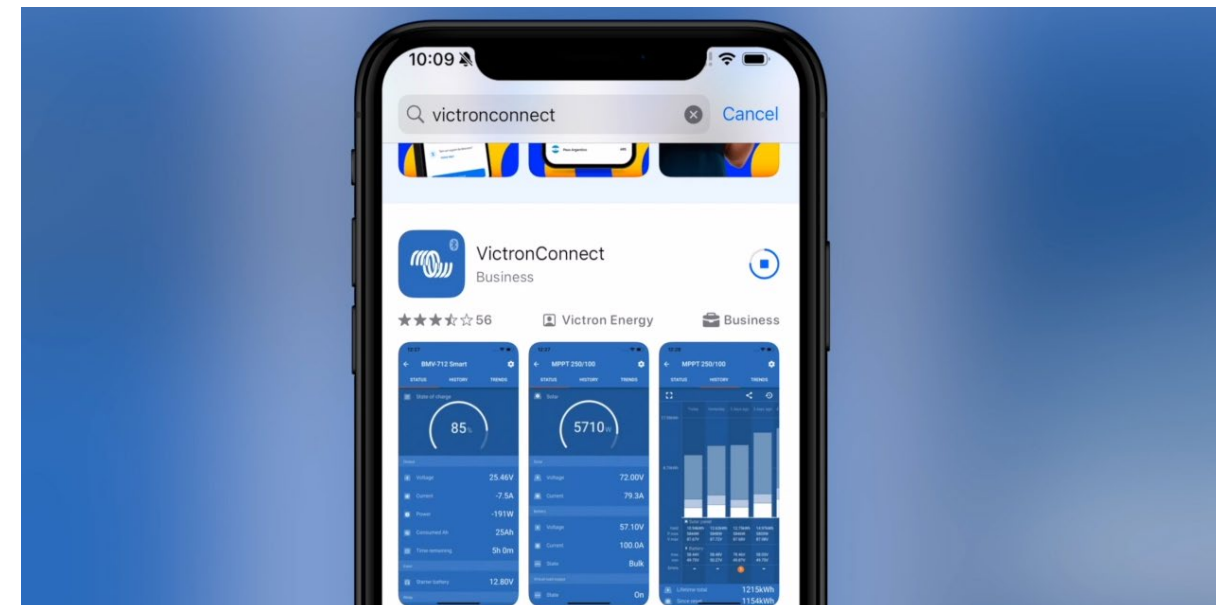


SOFTWARE UPDATES

Software updates for the batteries should be automated but occasionally they may need to be completed manually.

Conquip are happy to send one of our Onsite Engineers to carry this work out, but sites can complete any updates by following these steps:

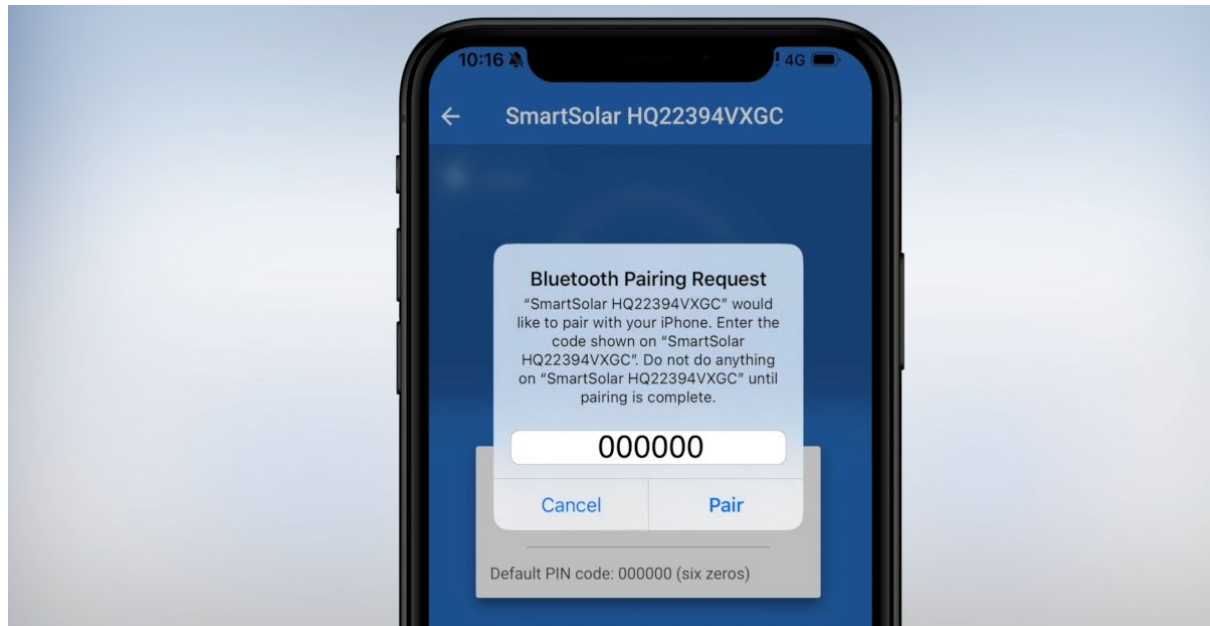
01. Firstly, to keep the unit operational and avoid any downtime, insert the 240V cable supplied with the unit into the external socket on the side of the Fuel Eco-Hub and plug into either mains power or a generator.
02. To carry out the software update, head to the App Store on your device and download the VictronConnect app.



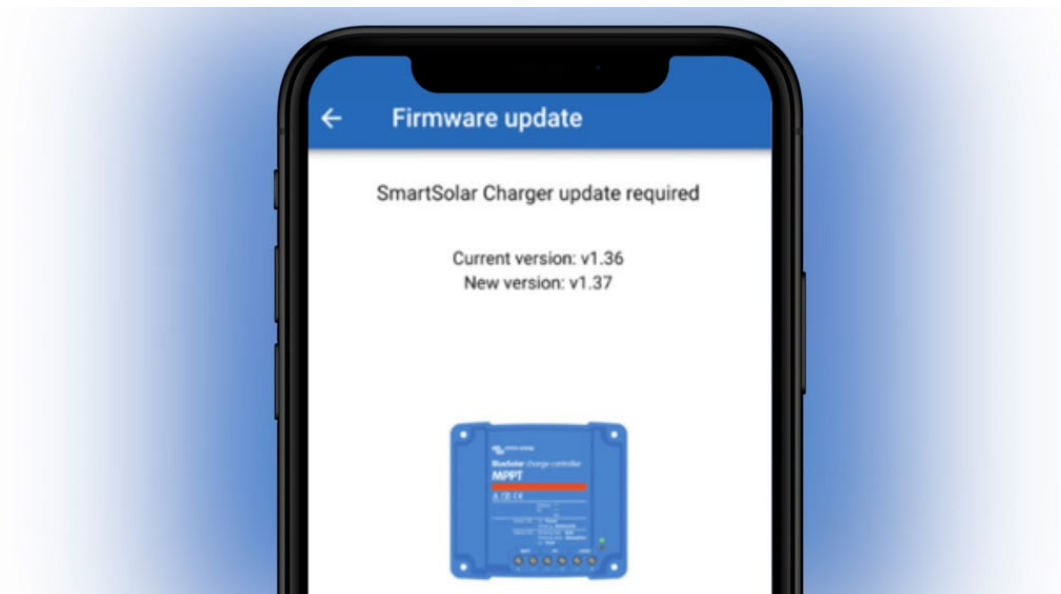
03. This app will allow you to access the VictronConnect Charge Controller. Please ensure Bluetooth is enabled on your mobile device.
04. Ensure you are near the Fuel Eco-Hub and open the app.



05. Select the 'SmartSolar' device from the list in 'My devices'. This will prompt you for a password. The password is '000000.'

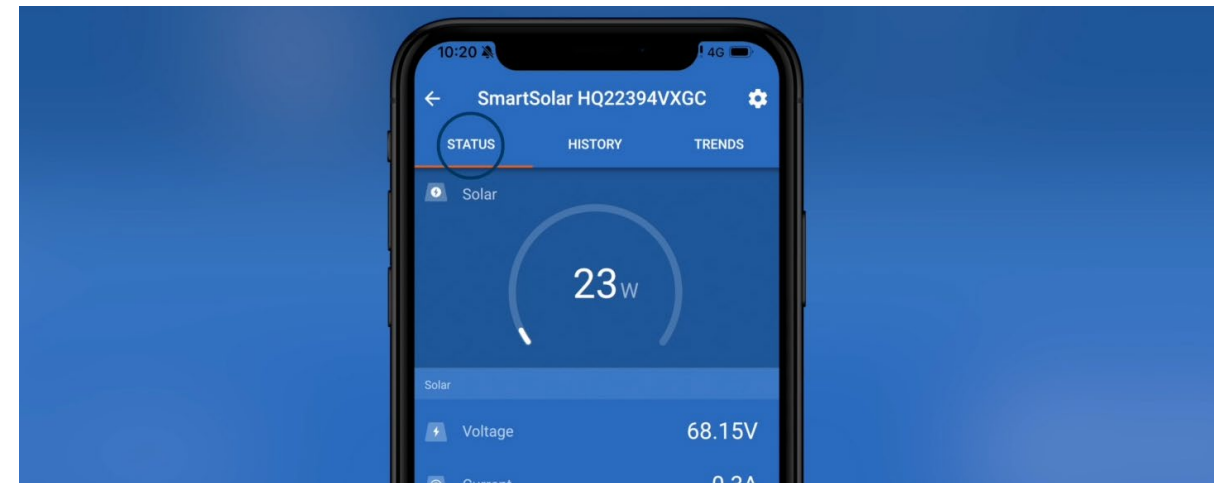


06. Check for firmware updates. If an update is required a prompt will appear- 'SmartSolar Charger update required.'



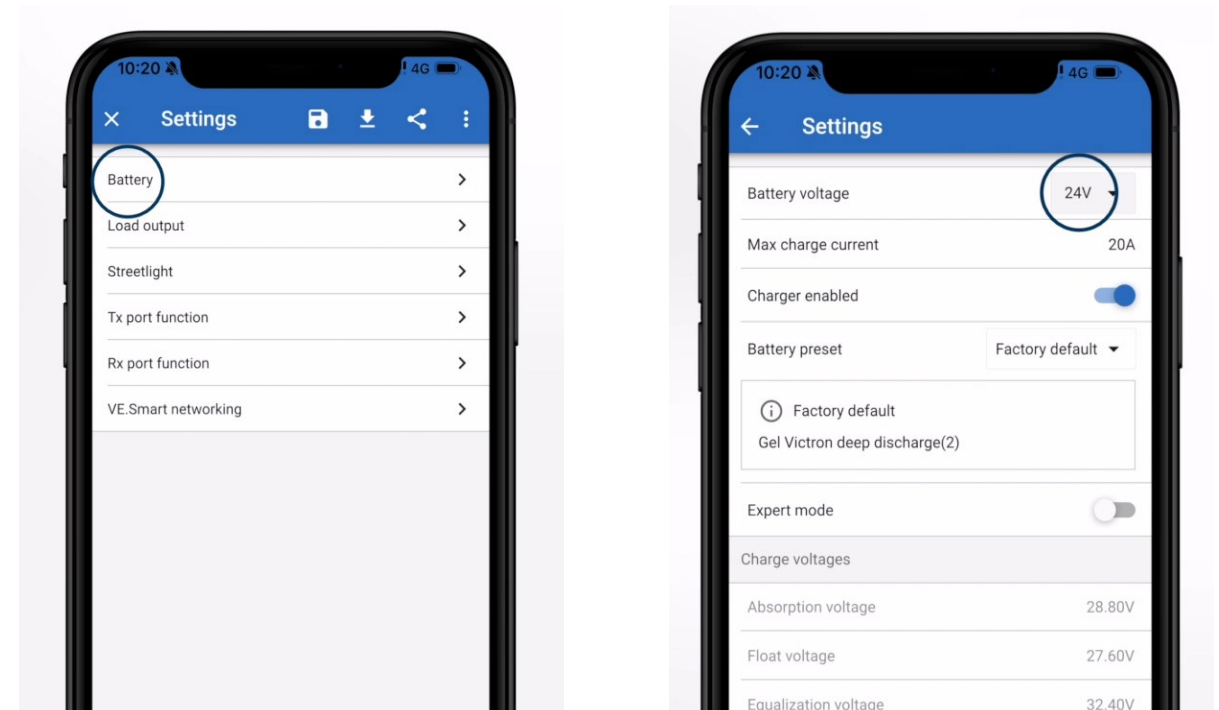
07. Click on 'Update' and remain close to the Fuel Eco-Hub with the app active on your device until the update has completed. It usually requires 2 – 5 minutes to complete, depending on the data connection or internet speed.

08. Once completed, it is advisable to check the battery voltage as this can sometimes change following an update.
09. Head to the 'home screen' on the app. Ensure you are on the 'Status' tab, then click on the cog icon in the top right of the screen.



10. In settings, click on 'battery' from the menu options. Check that the battery is voltage is set to 24V.

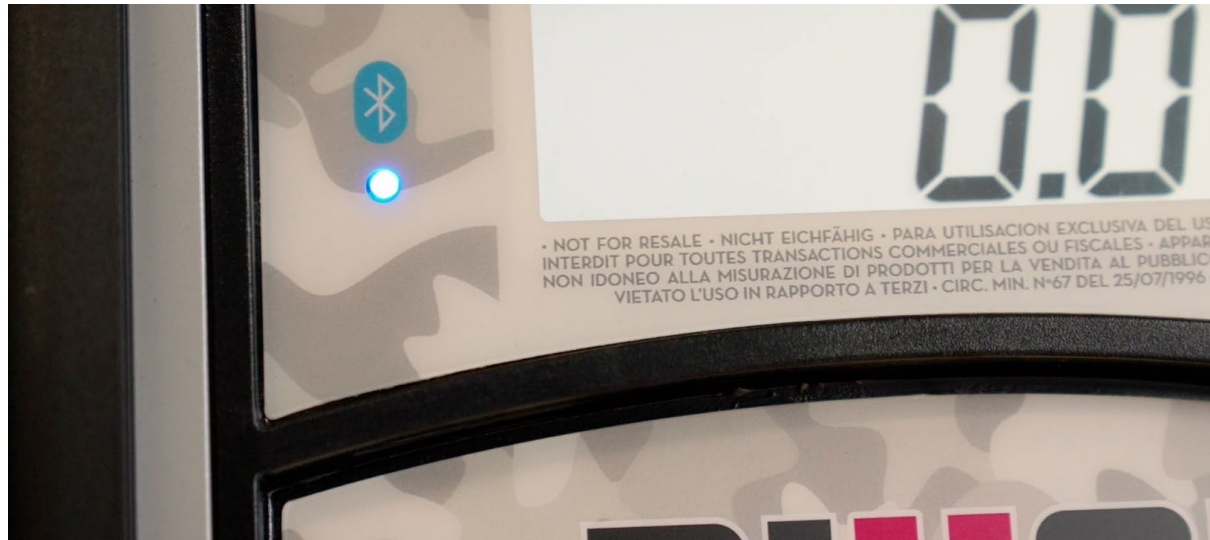
11. If the voltage is different, amend to 24V and save your changes.



APP ISSUES

If the Piusi B Smart app is not performing properly, follow these steps:

- 01. Only one device can be connected to the pump at any one time. Check that the mobile device is connected to the pump by observing if the blue light on the left of the pump’s digital display is illuminated.



- 02. Try closing the app and restarting it.
- 03. The app may need updating. Head to the app store on your device to check and update if required.



- 04. Uninstall and reinstall the app. If the app still isn't working, contact Piusi directly.

SPILLAGE OR LEAK MANAGEMENT

Noticed a spillage on the floor? Follow the steps below:

- 01. Open the Maintenance Spill Kit provided with the unit. Use the spill absorbents to clean up the liquid, then place them into the clearly marked bag and secure it. Dispose of the contents correctly in accordance with local waste disposal regulations.



- 02. If the spillage reappears, locate the source, and take necessary steps to contain it. If it is a leak in the fuel bowser, contact Conquip to book an engineer visit.



Using the above points and any other site-specific hazards, it is the contractor's responsibility to put together a full Risk Assessment and Method Statement for the use of the Conquip Fuel Eco-Hub.

MAINTENANCE & INSPECTION

MAINTENANCE REGIME

- It is mandatory that the machinery equipment is thoroughly examined regularly, by a qualified engineer, to ensure compliance with relevant regulations. Conquip recommend carrying out a thorough examination every six months.
- This machinery may incorporate various loose and detachable items including, but not limited to pins, bolt assemblies and adaption plates. Refer to the separate requirements for the safe use of those items.
- When not being used, store the unit in a clean, upright condition and in a safe place where it will be protected from thieves and unauthorised users.
- This machinery must be inspected by the responsible person before each use and then regularly, as determined by your risk assessment or working practice. If you have any concerns about the machinery's condition or suitability, do not use it.

VISUAL INSPECTION CHECKLIST

INSPECTION ITEMS	RESULTS		COMMENTS
	SATISFACTORY	UNSATISFACTORY	
Serial Number			CQ.....
Product Code			
Working Load Limit (Kg)			
Conforms to user guide specification.			
Check the lift points for damage.			
Check the doors to ensure they operate and function correctly.			
Check the operation of the internal door locking bolts.			
Inspect the external vents to ensure they are clean and clear of any debris.			
Ensure the fuel dispensing pump display is visible.			
Ensure the fuel dispensing pump supply line is secure.			
Ensure the pump hose seal is secure.			
Check the power supply to Diesel Exhaust Fluid pump.			
Ensure the Maintenance Spill Kit & Fire Extinguisher are usable.			
Check the internal light is working.			
General visual inspection of the body.			
SIGNATURE			
Name	Position	Qualification	Signature & Date

GENERAL SAFETY INSTRUCTIONS

The machinery should be properly operated and maintained to keep it in a safe, efficient operating condition. Be sure that all fixings and components are free of mud or other matter that might cause issues hazardous to the operator, serviceman, or other personnel or equipment. Report all malfunctions to those responsible for maintenance, and do not operate the equipment until corrected. Normal service or maintenance performed as required can prevent unexpected and unnecessary downtime.

This operations manual describes general inspections, servicing and operation with the normal safety precautions required for normal servicing and operating conditions. It is not a guide, however, for abnormal conditions or situations, and therefore, servicemen and operators must be safety conscious and alert to recognise potential servicing or operating safety hazards at all times, and take necessary precautions to assure safe servicing and operation of the machine.



M002
Refer to instructions
manual-booklet



M004
Wear eye protection



M008
Wear safety footwear



M009
Wear protective gloves



M010
Wear protective clothing



M014
Wear head protection



M015
Wear high-visibility
clothing

GENERAL NOTES

- Read this operations manual and learn the operating characteristics and limitations of the machinery. Know what operating clearances the machine requires.
- Read and understand all the safety signs prior to operation.
- If the safety signs are obstructed by dirt or debris, clean them using mild soap and water prior to operation.
- If the safety signs are damaged or illegible, replace them immediately, prior to operation.
- Be aware of operating hazards that weather changes can create on the job. Know proper procedures to follow when a severe rain or electrical storm strikes.
- Never attempt to operate or work on a machinery when not feeling physically fit.
- Never wear loose clothing, rings, watches, heavy gloves etc., that might catch and result in injury.
- Know what safety equipment is required and use it. Such equipment may be: hard hat, safety glasses, reflector type vests, protective gloves, and safety footwear.

TERMS & CONDITIONS

CONQUIP ENGINEERING GROUP STANDARD PRODUCT WARRANTY

01. COMMENCEMENT

1.1 This Warranty shall commence on the Commencement Date and shall continue until the earlier of:

- (a) the Expiry Date; or
- (b) the date on which it may be voided in accordance with clause 4.1(b)

when it shall terminate automatically without notice.

02. DUTY OF GOOD FAITH

2.1 The Purchaser shall in the exercise of its rights under this Warranty and in the compliance with its obligations under this Warranty be subject to and shall in all respects owe and comply with a duty of good faith to the Warrantor.

03. NATURE AND EXTENT OF COVER

3.1 Subject to clause 3.2 the Warrantor agrees and undertakes to the Purchaser that it shall be liable to the Purchaser under and in accordance with the terms of this Warranty in the event that:

- (a) prior to the Expiry Date the Purchaser shall notify a Warranty Claim to the Warrantor; and
- (b) the Equipment or any relevant part of the Equipment shall have become unusable as the result of defective material or defective workmanship prior to the Expiry Date.

3.2 The Warrantor's obligation under clause 3.1 shall be expressly subject to the provisions of clauses 4, 5 and 6 and conditional upon the Purchaser's compliance in full with the provisions of clause 7.

04. RESTRICTIONS

4.1 The following restrictions apply to this Warranty:

(a) This Warranty is personal to the Purchaser and neither the legal benefit nor legal burden of this warranty may be assigned or novated or otherwise transferred by the Purchaser to any other party. Any purported assignment, novation or transfer shall not be binding upon the Warrantor.

(b) This Warranty shall be void in the event that the Purchaser:

(i) cannot provide authentic and original documentary evidence that the Purchaser has during the period between the Commencement Date and the Expiry Date complied with the Maintenance and Servicing Requirements; and/or

(ii) has, during the period between the Commencement Date and the Expiry Date, exceeded the Purchaser's Usage Cycle Parameters; and/or

(iii) has, during the period between the Commencement Date and the Expiry Date, exceeded the Purchaser's Use Parameters; and/or

(iv) has carried out, or procured the carrying out by any third party of, any repair to the Equipment or any part of the Equipment which is not an Authorised Repair; and/or

(v) has operated the Equipment after having replaced any part of the Equipment with a part which has not been supplied and fitted by the Warrantor; and/or

(vi) has modified the Equipment in any way prior to use.

05. EXCLUSIONS

5.1 The following are excluded from the scope of this Warranty:

(a) Loss of and/ or damage to the Equipment or any part of it resulting from any collision between the Equipment and any other fixed or stationary or mobile object whatsoever, irrespective of whether that collision was or was not caused by the Purchaser; and/or

(b) Loss of and/or damage to any personal property and/or possessions or other equipment not forming part of the Equipment but which is present in or about the Equipment; and/or

(c) loss and/or damage which is covered by any other insurance policy taken out and maintained by the Purchaser or in respect of which the Purchaser has a contractual obligation to do so; and/or

(d) loss and/or damage to the equipment which is consistent with the use by the Purchaser of the Equipment:

(i) in compliance with the Maintenance and Servicing Requirements; and

(ii) in compliance with the Usage Cycle Parameters; and

(iii) in compliance with the Use Parameters; and

(iv) having only carried out Authorised Repairs to the Equipment; and

(v) having all and any replacement parts fitted by the Warrantor; and

(vi) in unmodified form.

06. LIMITATION OF LIABILITY

6.1 The Warrantor's liability to the Purchaser shall be limited as follows:

- (a) The Warrantor shall not in any circumstances be liable to the Purchaser for indirect and/or consequential and/or economic loss suffered and/or incurred as the case may be by the Purchaser; and
- (b) The Warrantor shall only be liable to the Purchaser for the reasonable and proper costs reasonably and properly incurred by the Purchaser directly in connection with the repair and/or replacement (at the Warrantor's absolute discretion) of the Equipment or any part of the Equipment; and
- (c) The Warrantor's liability to the Purchaser shall notwithstanding any other provision of this Warranty, not in any circumstances exceed the Purchase Price of the Equipment.

07. WARRANTY CLAIMS

7.1 The Purchaser shall in respect of any claim against the Warrantor under this Warranty and within 24 hours of the occurrence of the subject matter of the Warranty Claim:

- (a) Complete in full and submit to the Warrantor a Warranty Claim in the form annexed to Schedule 4;
- (b) Provide date stamped or date identifiable photographs evidencing the claim; and
- (c) Make the Equipment or the relevant part of the Equipment available to the Warrantor for inspection within 48 hours of notification of the relevant Warranty Claim.

08. ENTIRE AGREEMENT

8.1 This Warranty constitutes the entire agreement between the parties and supersedes and extinguishes all previous promises, assurances, warranties, representations and understandings between them, whether written or oral, relating to its subject matter.

8.2 Each party agrees that it shall have no remedies in respect of any statement, representation, assurance or warranty (whether made innocently or negligently) that is not set out in this Warranty. Each party agrees that it shall have no claim for innocent or negligent misrepresentation or negligent misstatement based on any statement in this Warranty.

No variation of this Warranty shall be effective unless it is in writing and signed by the parties (or their authorised representatives).

09. WAIVER

No failure or delay by a party to exercise any right or remedy provided under this Warranty or by law shall constitute a waiver of that or any other right or remedy, nor shall it prevent or restrict the further exercise of that or any other right or remedy. No single or partial exercise of such right or remedy shall prevent or restrict the further exercise of that or any other right or remedy.

10. SEVERANCE

10.1 If any provision or part-provision of this Warranty is or becomes invalid, illegal or unenforceable, it shall be deemed deleted, but that shall not affect the validity and enforceability of the rest of this Warranty.

10.2 If any provision or part-provision of this Warranty is deemed deleted under clause 10.1 the parties shall negotiate in good faith to agree a replacement provision that, to the greatest extent possible, achieves the intended commercial result of the original provision.

11. THIRD PARTY RIGHTS

11.1 This Warranty does not give rise to any rights under the Contracts (Rights of Third Parties) Act 1999 to enforce any term of this Warranty.

12. GOVERNING LAW

12.1 This Warranty and any dispute or claim (including non-contractual disputes or claims) arising out of or in connection with it or its subject matter or formation shall be governed by and construed in accordance with the law of England and Wales.

13. JURISDICTION

13.1 Each party irrevocably agrees that the courts of England and Wales shall have exclusive jurisdiction to settle any dispute or claim (including non-contractual disputes or claims) arising out of or in connection with this Warranty or its subject matter or formation.

EC DECLARATION OF CONFORMITY

IN ACCORDANCE WITH EN ISO 17050-1:2004

Declaration: As defined by the Machinery Directive 2006/42/EC and subsequent amendments

We, CONQUIP ENGINEERING GROUP, herewith declare that the following indicated equipment meets the fundamental health and safety requirements concerning the EU guideline(s), due to their design and manufacture.

This declaration will be rendered null and void if the machine is changed without our approval.

SIGNED:

DATED: 2024

Garry Critchley, Managing Director

PRODUCT CODES	GENERAL DESCRIPTION / DESIGNATION:	WORKING LOAD LIMIT:
ST140AC-16000	Fuel Eco-Hub	N/A

ITEM	CODE	DESCRIPTION
EC DIRECTIVE/REGULATION	2006/42/EC	Directive 2006/42/EC- new machinery directive
HARMONISED STANDARDS	BS EN ISO 12100:2010	Safety of machinery General principles for design Risk assessment and risk reduction
OTHER REGULATIONS	LOLER 1998	Lifting Operations and Lifting Equipment Regulations 1998 (LOLER)
	PUWER 1998	Provision and Use of Work Equipment Regulations 1998 (PUWER)

TALKING TO US IS EASY
WE'RE HERE TO HELP

Call us on 0333 300 3470
Email us at sales@cqegroup.com
www.cqegroup.com

