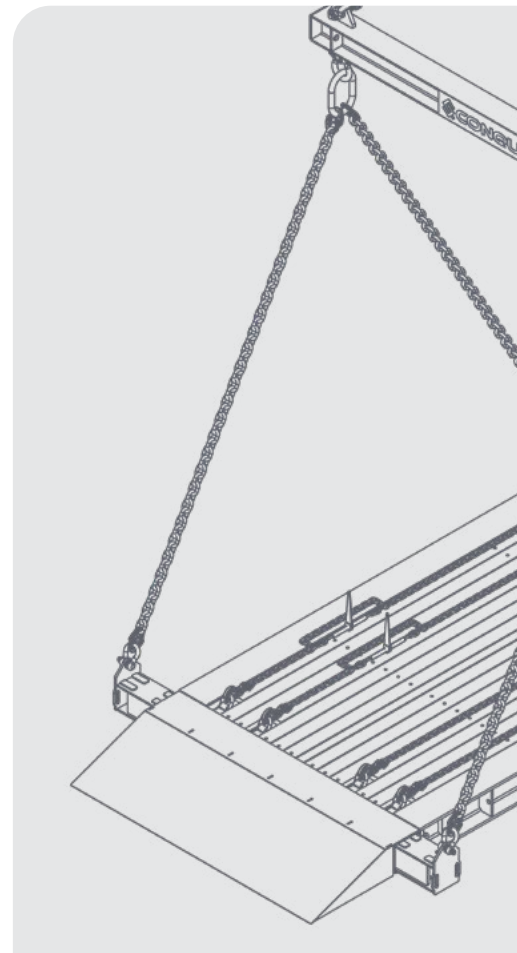


USER GUIDE

EXCAVATOR LIFTING PLATFORM



DISCLAIMER

Do not attempt to handle or operate this equipment before you have received sufficient training. Before use, operatives must have carried out all checks featured on the Visual Inspection Sheet on page 13. It is imperative that you have read the General Safety Instructions on page 14 and sufficiently familiarised yourself with the Operational Procedures in this document.

Note that this item is compliant only to the standards specified in this User Guide and it is therefore the duty of the responsible person(s) to review and ensure compliance.

CONTENTS

PRODUCT INFORMATION

INTRODUCTION	04
SPECIFICATION	05
PARTS DIAGRAM	09

OPERATIONAL PROCEDURES

IMPORTANT USAGE NOTES	10
USING WITH A CRANE	10
PLATFORM SIGNAGE	11

MAINTENANCE & INSPECTION

MAINTENANCE REGIME	12
SAFETY DECALS	12
VISUAL INSPECTION SHEET	13

GENERAL SAFETY INSTRUCTIONS

SAFETY INSTRUCTIONS	14
GENERAL NOTES	15

LEGAL

TERMS AND CONDITIONS	16
EC DECLARATION OF CONFORMITY	20
STANDARDS AND REGULATIONS APPLICABLE	21

INTRODUCTION

OVERVIEW

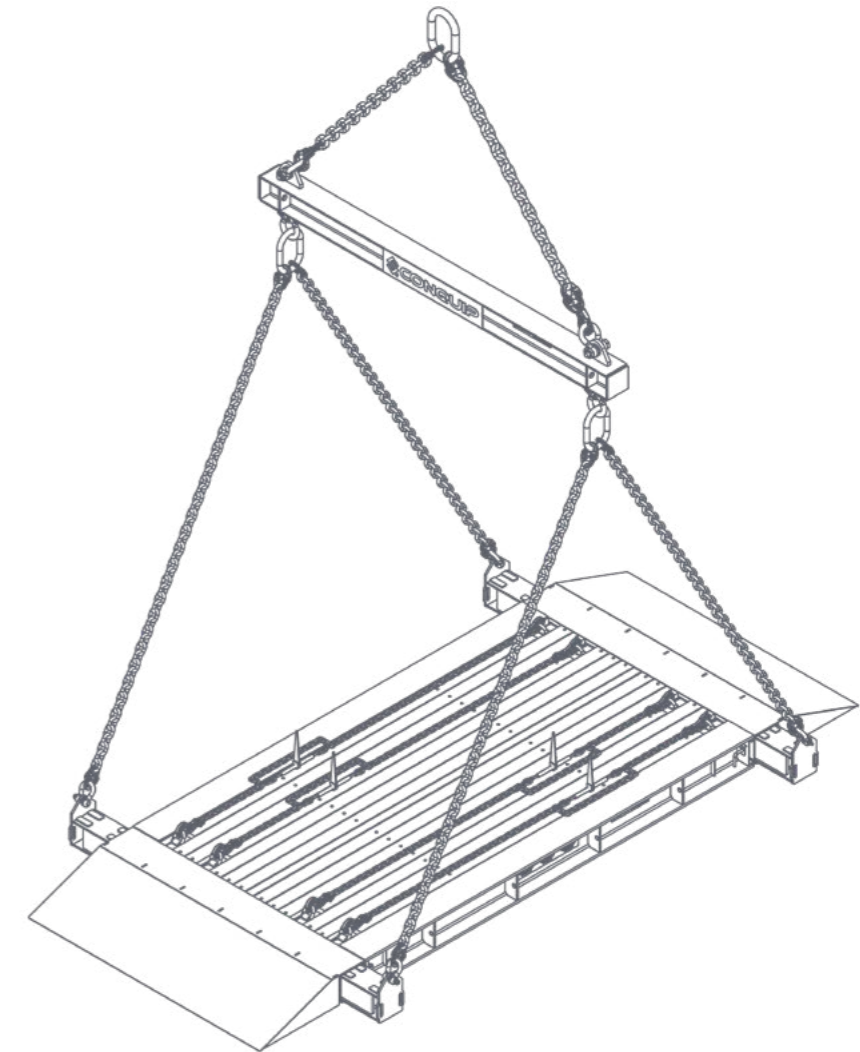
The Excavator Lifting Platform is a large, steel platform with a timber bed, designed to safely lift excavators in and out of tunnels and shafts. It features adjustable telescopic I-beams that allow the platform to be transported to and from site without the need to acquire a wide load permit.

Tie-down points around the platform ensure the excavator can be secured before it is lifted, and ramped access on both sides provides easy load and offload, making the Excavator Lifting Platform ideal for tunnelling projects, basement excavations and sites with limited access.

KEY BENEFITS

- Ramps at both ends make loading and unloading easier on sites where space is limited.
- Handles and removable pins on telescopic I-beams allow for quick and simple adjustment between transport and lifting positions.
- Designed to lift excavators up to 30,000kg.

SPECIFICATION

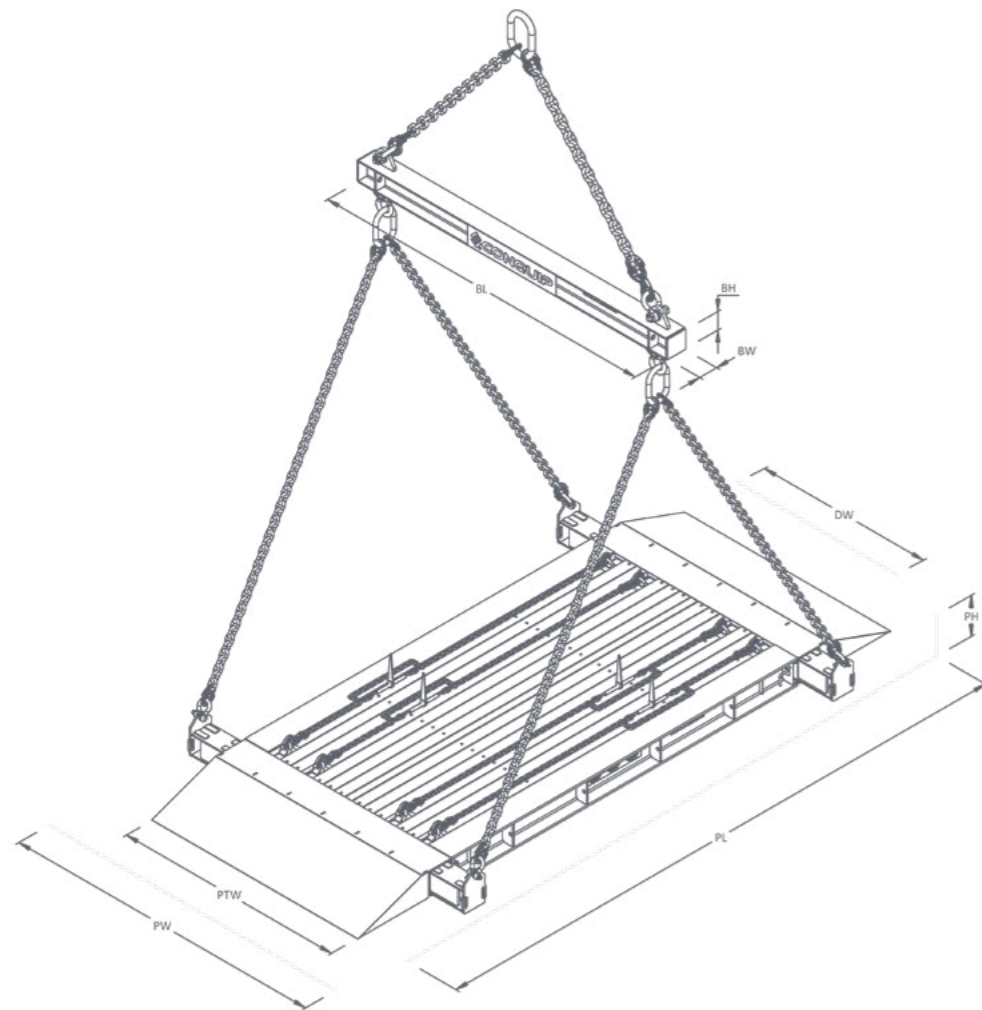


CODE	ITEM	WEIGHT (kg)	WLL (kg)
CA149AC-30000	Platform	4500	30000
	Beam	430	35000

*Working Load Limit

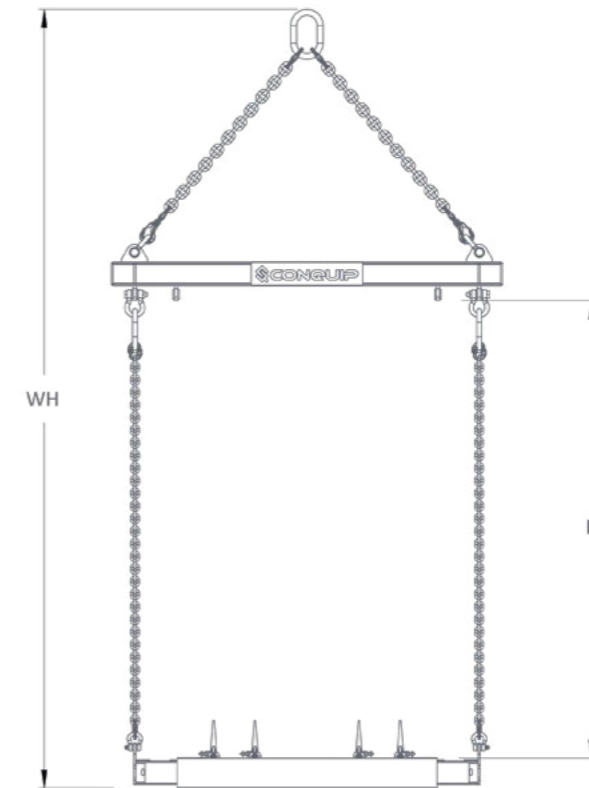
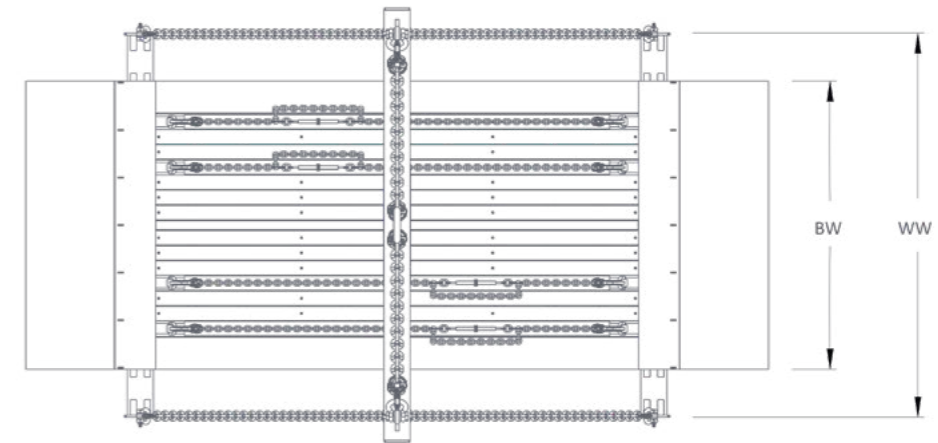
SPECIFICATION

ITEM	PRODUCT CODE
Excavator Lifting Platform	CA149AC-30000



ITEM	LENGTH (mm)	WIDTH (mm)	TRANSPORT WIDTH (mm)	BED WIDTH (mm)	HEIGHT (mm)
Platform	7235	3885	2845	605	485
Beam	4215	255	N/A	N/A	605

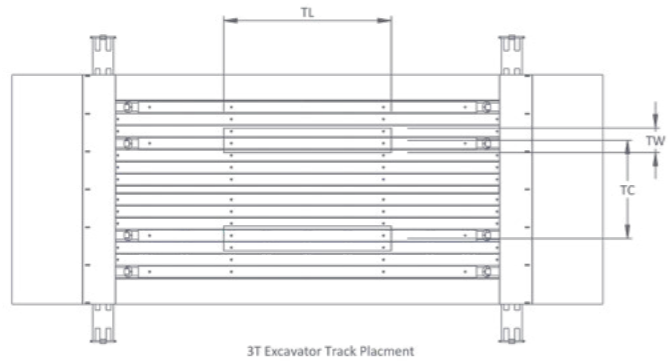
SPECIFICATION



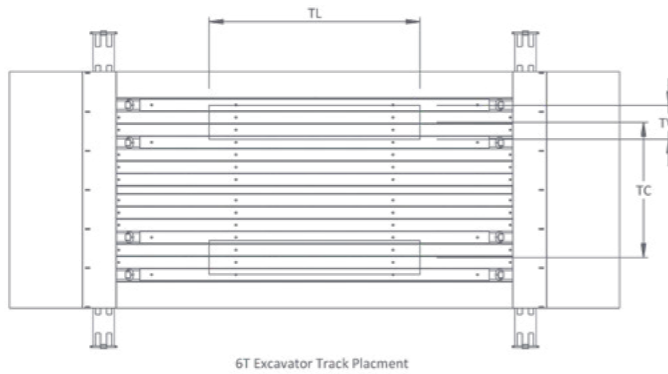
CODE	BED WIDTH (mm)	WORKING WIDTH (mm)	WORKING HEIGHT (mm)	INTERNAL HEIGHT (mm)
CA149AC-30000	2800	3730	8389	4933

SPECIFICATION

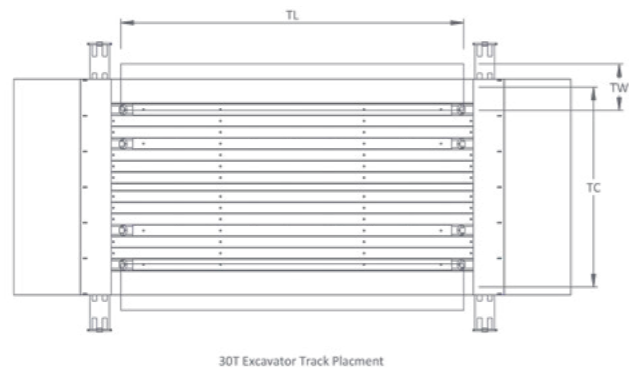
EXCAVATOR TRACK PLACEMENT



EXCAVATOR	TRACK LENGTH (mm)	TRACK WIDTH (mm)	TRACK CENTRES (mm)
3-tonne	2052mm	300mm	1200mm



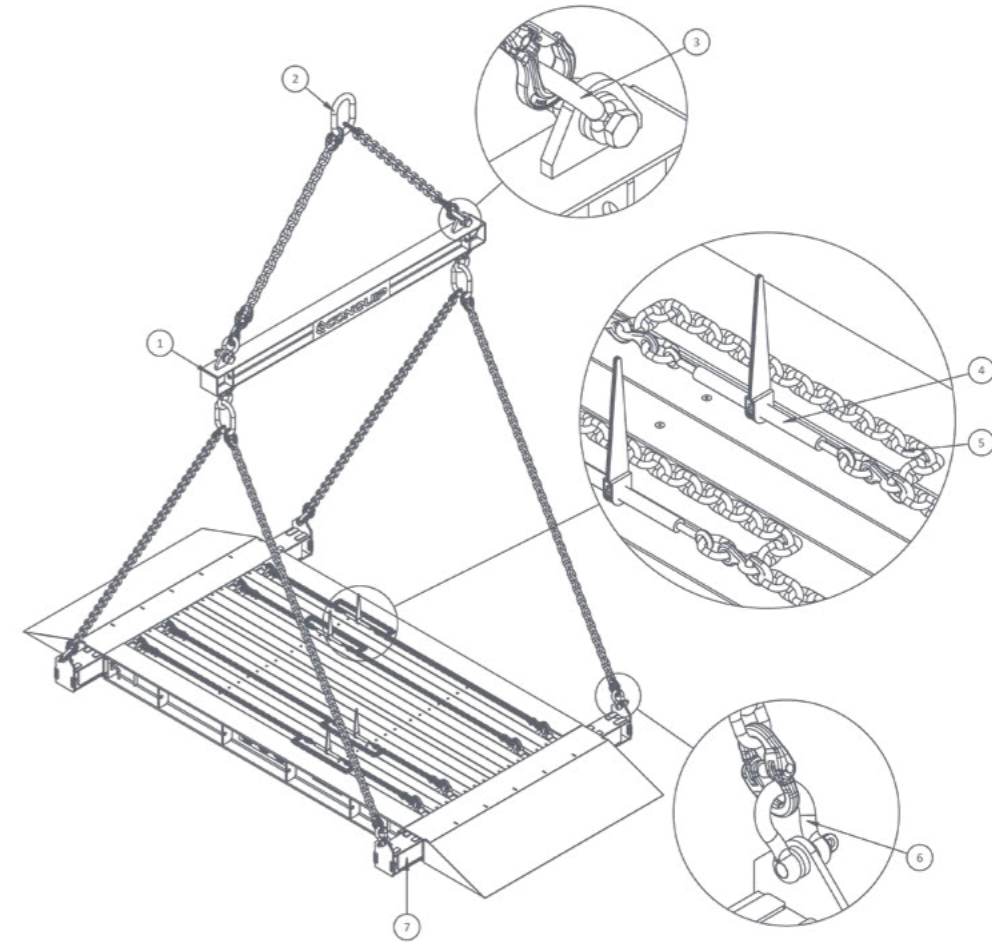
EXCAVATOR	TRACK LENGTH (mm)	TRACK WIDTH (mm)	TRACK CENTRES (mm)
6-tonne	2500mm	400mm	1600mm



EXCAVATOR	TRACK LENGTH (mm)	TRACK WIDTH (mm)	TRACK CENTRES (mm)
30-tonne	4450mm	600mm	2590mm

PARTS DIAGRAM

EXCAVATOR LIFTING PLATFORM



ITEM NUMBER	PART	DESCRIPTION	QUANTITY
1	ZZ190075	Lifting Platform Beam with Lifting Chains	1
2	CD2.8-32-12X8	2 Leg, 32mm, 2800mm EWL, Ends: Self Locking Hooks Grade 80	1
3	SH101-25500	Safety Bow Shackle 25000kg SWL	4
4	LB200-00016	Load Binder 16mm	4
5	CO7-16-1ZD8	1 Leg 16mm, 7000mm EWL Begins: Self Locking Hooks, Ends: Self Locking Hooks, Grade 80	4
6	SH100-13500	Safety Bow Shackle 13500kg SWL	4
7	ZZ190074-01	Telescopic I Beam Assembly	4

NOTE: These parts are for this model, they may differ for previous versions. Please contact Conquip with any queries.

OPERATIONAL PROCEDURES

IMPORTANT USAGE NOTES

- DO NOT unevenly load the Excavator Lifting Platform.
- Secure excavator using the tie-down points before lifting.
- The excavator should be lifted centrally on the platform.
- For excavators weighing upwards of 6t, the centre line of the track must sit within the external side beam.
- Extend telescopic I-beams before lifting the platform. When adjusting the sections ensure that the locking pin is secured before lifting the platform.
- Only lift the Excavator Lifting Platform using the designated 4 lifting points on the telescopic I-beams. DO NOT lift using the D rings on the timber bed.
- Before every lift, the excavator should be secured with suitable load binders.
- 3t-12t excavators require 2 chains to secure the Excavator to the platform.
- 16t-30t excavators require 4 chains to secure the Excavator to the platform.
- The Excavator Lifting Platform can be used to lift excavators up to 30t.
- Always use a minimum of two chains to secure the Excavator down, these must be placed over the turntable or tracks either side of the cab.
- Make sure the new location is safe for access before moving the load.
- A competent individual must inspect all components to LOLER standards before a lift takes place.

USING WITH A CRANE

01. Before lifting, extend the telescopic I-beams into the lifting position (maximum extension).
02. Drive the excavator onto the platform using the ramps at either end.
03. Secure the excavator with suitable slings/load binders using the tie-down points on the platform.
04. Attach the crane to the spreader beam using a suitably rated chain.
05. Once the supervisor is happy that the excavator is secure, balanced and does not exceed maximum loading weights, position the spreader beam over the platform.
06. Attach the chains from the spreader beam assembly to the lifting points on the I-beams. DO NOT attach the chains to the D rings on the timber bed.
07. Check that personnel are clear from the immediate area and the designated location to allow for

swing of the platform when lifting off the ground.

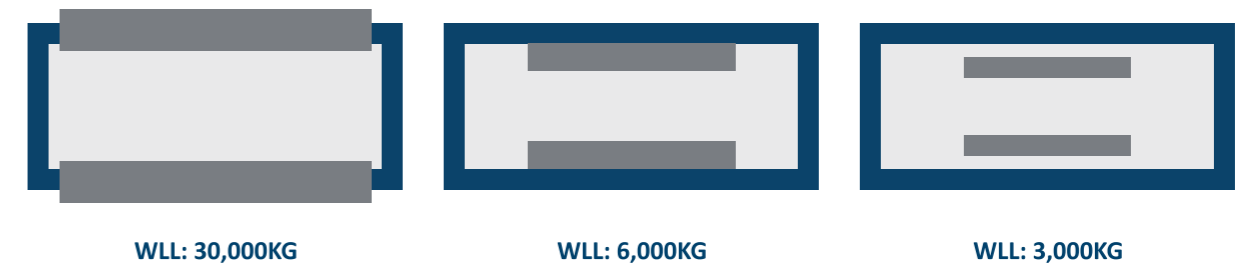
08. Crane-lift to location and lower onto a firm, stable, flat surface.
09. Unload the excavator, using the ramp on either side of the platform.

PLATFORM SIGNAGE

All Excavator Lifting Platforms are fitted with a sticker outlining the Working Load Limit of the platform, which depends on the positioning of the excavator's tracks.

Ensure the excavator is within the track parameters as per its Working Load Limit. Track parameters are highlighted in grey in the sticker artwork (Fig 1.1) below.

FIG 1.1



MAINTENANCE & INSPECTION

MAINTENANCE REGIME

- It is mandatory that the machinery equipment is thoroughly examined regularly, by a qualified engineer, to ensure compliance with relevant regulations. Conquip recommend carrying out a thorough examination every six months.
- This machinery may incorporate various loose and detachable items including, but not limited to pins, bolt assemblies and adaption plates. Refer to the separate requirements for the safe use of those items.
- When not being used, store the unit in a clean, upright condition and in a safe place where it will be protected from thieves and unauthorised users.
- This machinery must be inspected by the responsible person before each use and then regularly, as determined by your risk assessment or working practice. If you have any concerns about the machinery's condition or suitability, do not use it.

SAFETY DECALS

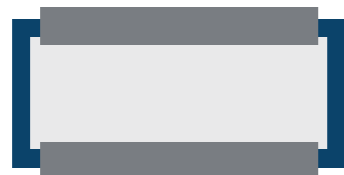
These are the safety decals featured on the machinery. When carrying out the visual inspection of the machinery, please ensure all decals are present before checking this item off the list.



Ensure excavator is within the track parameters per it's WLL.

Track parameters highlighted in grey.

2219074



WLL: 30,000KG



WLL: 6,000KG



WLL: 3,000KG

VISUAL INSPECTION CHECKLIST

INSPECTION ITEMS	RESULTS		COMMENTS
	SATISFACTORY	UNSATISFACTORY	
Serial Number			CQ.....
Product Code			
Working Load Limit (kg)			
Conforms to user guide specification			
Master link damaged			
Chain links worn or corroded			
Safety latches on hooks operational			
Safety bow shackles-check split pin			
Load binders operational			
Telescopic I-beam pins in place			
Telescopic I-beam safety pins in place			
General visual inspection of the body			
SIGNATURE			
Name	Position	Qualification	Signature & Date

GENERAL SAFETY INSTRUCTIONS

The machinery should be properly operated and maintained to keep it in a safe, efficient operating condition. Be sure that all fixings and components are free of mud or other matter that might cause issues hazardous to the operator, serviceman, or other personnel or equipment. Report all malfunctions to those responsible for maintenance, and do not operate the equipment until corrected. Normal service or maintenance performed as required can prevent unexpected and unnecessary downtime.

This operations manual describes general inspections, servicing and operation with the normal safety precautions required for normal servicing and operating conditions. It is not a guide, however, for abnormal conditions or situations, and therefore, servicemen and operators must be safety conscious and alert to recognise potential servicing or operating safety hazards at all times, and take necessary precautions to assure safe servicing and operation of the machine.



M002
Refer to instructions manual



M004
Wear eye protection



M008
Wear safety footwear



M009
Wear protective gloves



M010
Wear protective clothing



M014
Wear head protection



M015
Wear high-visibility clothing

GENERAL NOTES

- Read this operations manual and learn the operating characteristics and limitations of the machinery. Know what operating clearances the machine requires.
- Read and understand all the safety signs prior to operation.
- If the safety signs are obstructed by dirt or debris, clean them using mild soap and water prior to operation.
- If the safety signs are damaged or illegible, replace them immediately, prior to operation.
- Be aware of operating hazards that weather changes can create on the job. Know proper procedures to follow when a severe rain or electrical storm strikes.
- Never attempt to operate or work on machinery when not feeling physically fit.
- Never wear loose clothing, rings, watches, heavy gloves etc., that might catch and result in injury.
- Know what safety equipment is required and use it. Such equipment may be: hard hat, safety glasses, reflector type vests, protective gloves and safety footwear.

TERMS & CONDITIONS

CONQUIP ENGINEERING GROUP STANDARD PRODUCT WARRANTY

01. COMMENCEMENT

1.1 This Warranty shall commence on the Commencement Date and shall continue until the earlier of:

- (a) the Expiry Date; or
- (b) the date on which it may be voided in accordance with clause 4.1(b)

when it shall terminate automatically without notice.

02. DUTY OF GOOD FAITH

2.1 The Purchaser shall in the exercise of its rights under this Warranty and in the compliance with its obligations under this Warranty be subject to and shall in all respects owe and comply with a duty of good faith to the Warrantor.

03. NATURE AND EXTENT OF COVER

3.1 Subject to clause 3.2 the Warrantor agrees and undertakes to the Purchaser that it shall be liable to the Purchaser under and in accordance with the terms of this Warranty in the event that:

- (a) prior to the Expiry Date the Purchaser shall notify a Warranty Claim to the Warrantor; and
- (b) the Equipment or any relevant part of the Equipment shall have become unusable as the result of defective material or defective workmanship prior to the Expiry Date.

3.2 The Warrantor's obligation under clause 3.1 shall be expressly subject to the provisions of clauses 4, 5 and 6 and conditional upon the Purchaser's compliance in full with the provisions of clause 7.

04. RESTRICTIONS

4.1 The following restrictions apply to this Warranty:

(a) This Warranty is personal to the Purchaser and neither the legal benefit nor legal burden of this warranty may be assigned or novated or otherwise transferred by the Purchaser to any other party. Any purported assignment, novation or transfer shall not be binding upon the Warrantor.

(b) This Warranty shall be void in the event that the Purchaser:

(i) cannot provide authentic and original documentary evidence that the Purchaser has during the period between the Commencement Date and the Expiry Date complied with the Maintenance and Servicing Requirements; and/or

(ii) has, during the period between the Commencement Date and the Expiry Date, exceeded the Purchaser's Usage Cycle Parameters; and/or

(iii) has, during the period between the Commencement Date and the Expiry Date, exceeded the Purchaser's Use Parameters; and/or

(iv) has carried out, or procured the carrying out by any third party of, any repair to the Equipment or any part of the Equipment which is not an Authorised Repair; and/or

(v) has operated the Equipment after having replaced any part of the Equipment with a part which has not been supplied and fitted by the Warrantor; and/or

(vi) has modified the Equipment in any way prior to use.

05. EXCLUSIONS

5.1 The following are excluded from the scope of this Warranty:

(a) Loss of and/ or damage to the Equipment or any part of it resulting from any collision between the Equipment and any other fixed or stationary or mobile object whatsoever, irrespective of whether that collision was or was not caused by the Purchaser; and/or

(b) Loss of and/or damage to any personal property and/or possessions or other equipment not forming part of the Equipment but which is present in or about the Equipment; and/or

(c) loss and/or damage which is covered by any other insurance policy taken out and maintained by the Purchaser or in respect of which the Purchaser has a contractual obligation to do so; and/or

(d) loss and/or damage to the equipment which is consistent with the use by the Purchaser of the Equipment:

(i) in compliance with the Maintenance and Servicing Requirements; and

(ii) in compliance with the Usage Cycle Parameters; and

(iii) in compliance with the Use Parameters; and

(iv) having only carried out Authorised Repairs to the Equipment; and

(v) having all and any replacement parts fitted by the Warrantor; and

(vi) in unmodified form.

06. LIMITATION OF LIABILITY

6.1 The Warrantor's liability to the Purchaser shall be limited as follows:

- (a) The Warrantor shall not in any circumstances be liable to the Purchaser for indirect and/or consequential and/or economic loss suffered and/or incurred as the case may be by the Purchaser; and
- (b) The Warrantor shall only be liable to the Purchaser for the reasonable and proper costs reasonably and properly incurred by the Purchaser directly in connection with the repair and/or replacement (at the Warrantor's absolute discretion) of the Equipment or any part of the Equipment; and
- (c) The Warrantor's liability to the Purchaser shall notwithstanding any other provision of this Warranty, not in any circumstances exceed the Purchase Price of the Equipment.

07. WARRANTY CLAIMS

7.1 The Purchaser shall in respect of any claim against the Warrantor under this Warranty and within 24 hours of the occurrence of the subject matter of the Warranty Claim:

- (a) Complete in full and submit to the Warrantor a Warranty Claim in the form annexed to Schedule 4;
- (b) Provide date stamped or date identifiable photographs evidencing the claim; and
- (c) Make the Equipment or the relevant part of the Equipment available to the Warrantor for inspection within 48 hours of notification of the relevant Warranty Claim.

08. ENTIRE AGREEMENT

8.1 This Warranty constitutes the entire agreement between the parties and supersedes and extinguishes all previous promises, assurances, warranties, representations and understandings between them, whether written or oral, relating to its subject matter.

8.2 Each party agrees that it shall have no remedies in respect of any statement, representation, assurance or warranty (whether made innocently or negligently) that is not set out in this Warranty. Each party agrees that it shall have no claim for innocent or negligent misrepresentation or negligent misstatement based on any statement in this Warranty.

No variation of this Warranty shall be effective unless it is in writing and signed by the parties (or their authorised representatives).

09. WAIVER

No failure or delay by a party to exercise any right or remedy provided under this Warranty or by law shall constitute a waiver of that or any other right or remedy, nor shall it prevent or restrict the further exercise of that or any other right or remedy. No single or partial exercise of such right or remedy shall prevent or restrict the further exercise of that or any other right or remedy.

10. SEVERANCE

10.1 If any provision or part-provision of this Warranty is or becomes invalid, illegal or unenforceable, it shall be deemed deleted, but that shall not affect the validity and enforceability of the rest of this Warranty.

10.2 If any provision or part-provision of this Warranty is deemed deleted under clause 10.1 the parties shall negotiate in good faith to agree a replacement provision that, to the greatest extent possible, achieves the intended commercial result of the original provision.

11. THIRD PARTY RIGHTS

11.1 This Warranty does not give rise to any rights under the Contracts (Rights of Third Parties) Act 1999 to enforce any term of this Warranty.

12. GOVERNING LAW

12.1 This Warranty and any dispute or claim (including non-contractual disputes or claims) arising out of or in connection with it or its subject matter or formation shall be governed by and construed in accordance with the law of England and Wales.

13. JURISDICTION

13.1 Each party irrevocably agrees that the courts of England and Wales shall have exclusive jurisdiction to settle any dispute or claim (including non-contractual disputes or claims) arising out of or in connection with this Warranty or its subject matter or formation.

EC DECLARATION OF CONFORMITY

IN ACCORDANCE WITH EN ISO 17050-1:2004

Declaration: As defined by the Machinery Directive 2006/42/EC and subsequent amendments

We, CONQUIP ENGINEERING GROUP, herewith declare that the following indicated equipment meets the fundamental health and safety requirements concerning the EU guideline(s), due to their design and manufacture.

This declaration will be rendered null and void if the machine is changed without our approval.

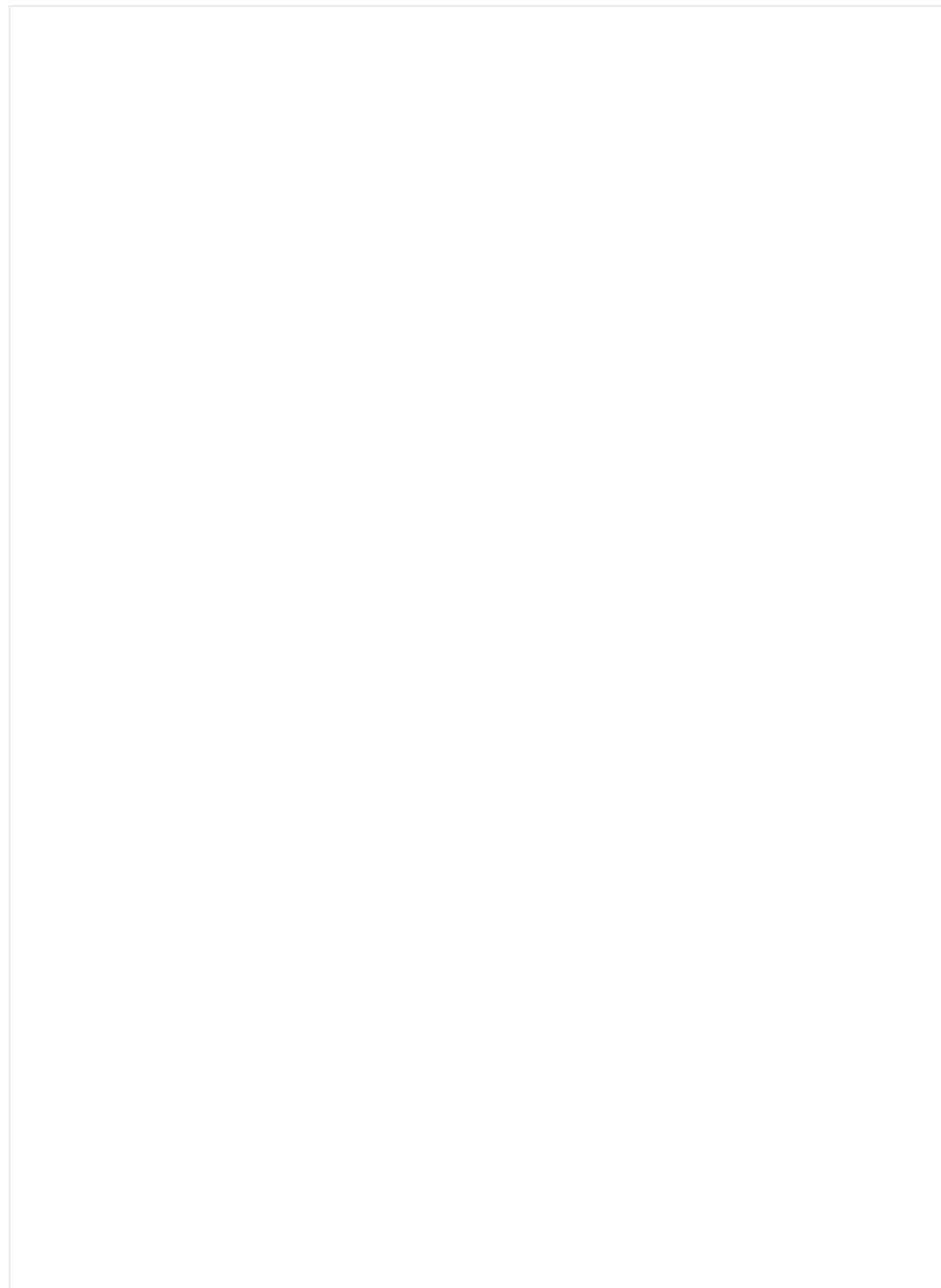
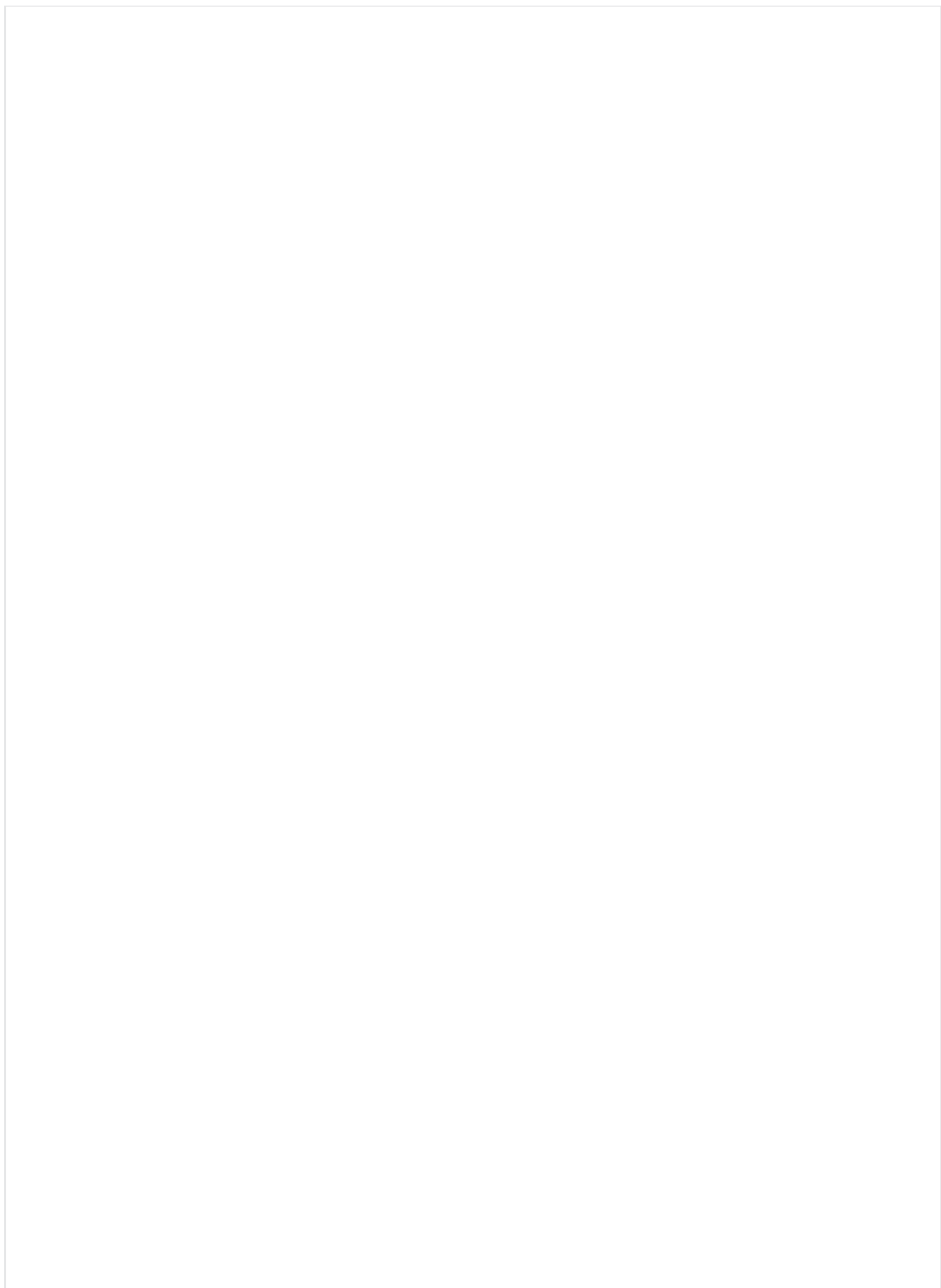
SIGNED:

DATED: 2024

Garry Critchley, Chief Executive Officer

PRODUCT CODES	GENERAL DESCRIPTION / DESIGNATION	WORKING LOAD LIMIT
CA149AC-30000	Excavator Lifting Platform	30,000kg

ITEM	CODE	DESCRIPTION
EC DIRECTIVE/REGULATION	2006/42/EC	Directive 2006/42/EC- new machinery directive
HARMONISED STANDARDS	BS EN ISO 12100:2010	Safety of machinery General principles for design Risk assessment and risk reduction
	BS EN 1993-1-1: 2005	Eurocode 3. Design of steel structures General rules and rules for buildings
OTHER REGULATIONS	LOLER 1998	Lifting Operations and Lifting Equipment Regulations 1998 (LOLER)
	PUWER 1998	Provision and Use of Work Equipment Regulations 1998 (PUWER)



TALKING TO US IS EASY
WE'RE HERE TO HELP

Call us on 0333 300 3470
Email us at sales@cqegroup.com
www.cqegroup.com

