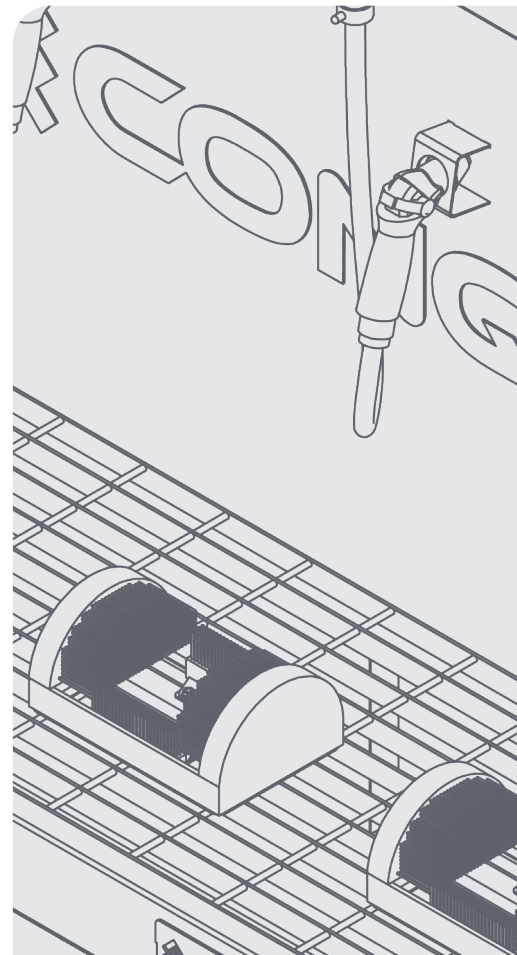
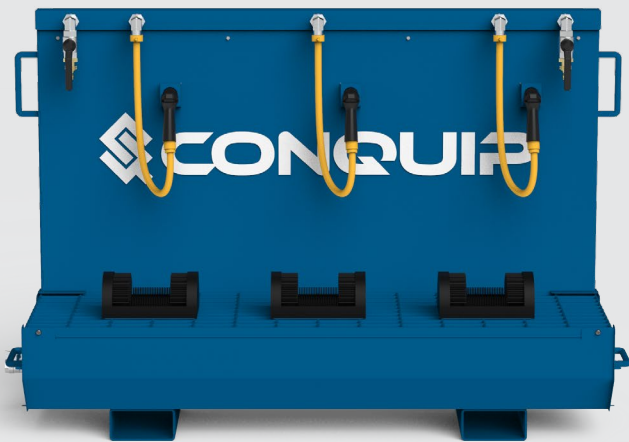


USER GUIDE

# BOOT WASH



# DISCLAIMER

Do not attempt to handle or operate this equipment before you have received sufficient training. Before use, operatives must have carried out all checks featured on the Visual Inspection Sheet on page 15. It is imperative that you have read the General Safety Instructions on page 16 and sufficiently familiarised yourself with the Operational Procedures in this document.

Note that this item is compliant only to the standards specified in this User Guide and it is therefore the duty of the responsible person(s) to review and ensure compliance.

# CONTENTS

## PRODUCT INFORMATION

INTRODUCTION	05
SPECIFICATION	06
PARTS DIAGRAM	08

## OPERATIONAL PROCEDURES

IMPORTANT USAGE NOTES	12
INSTALLATION WITH A FORKLIFT	13
INSTALLATION BY PERSONNEL	13
USAGE INSTRUCTIONS	13

## MAINTENANCE & INSPECTION

MAINTENANCE REGIME	14
VISUAL INSPECTION SHEET	15

## GENERAL SAFETY INSTRUCTIONS

SAFETY INSTRUCTIONS	16
GENERAL NOTES	17

## LEGAL

TERMS AND CONDITIONS	18
EC DECLARATION OF CONFORMITY	22
STANDARDS AND REGULATIONS APPLICABLE	23

# INTRODUCTION

## OVERVIEW

The Conquip Boot Wash is a stand-alone boot cleaning station designed to provide an area for site operatives and visitors to clean off their footwear before entering clean zones, such as site cabins or newly constructed buildings.

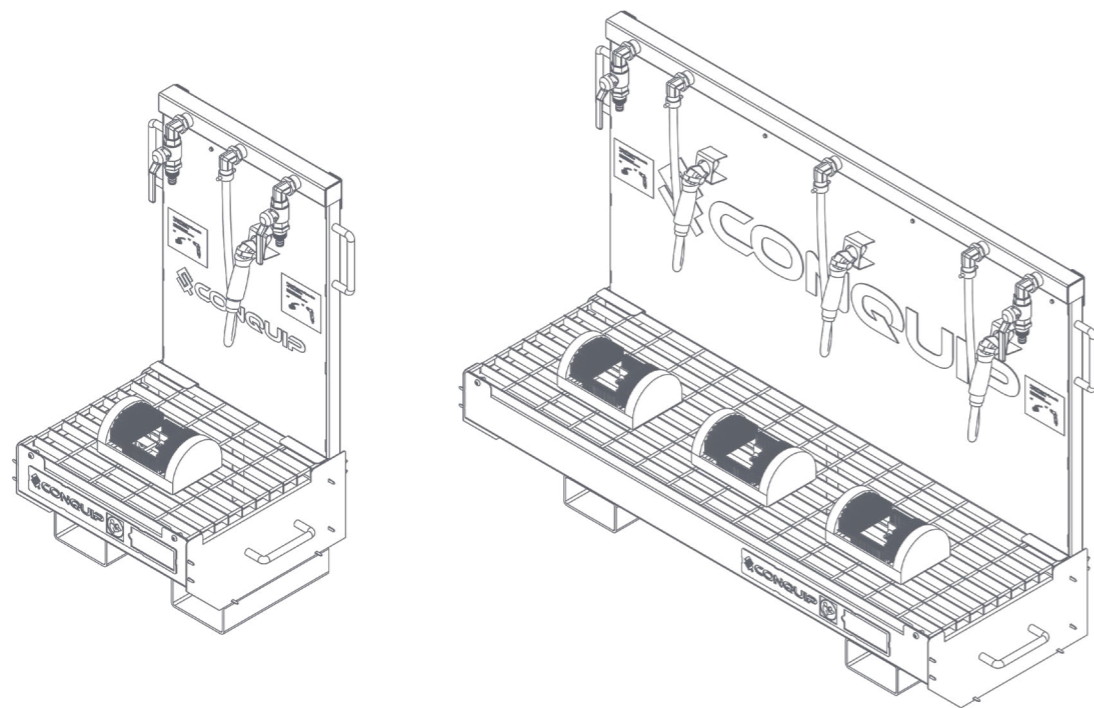
Manufactured from steel for increased durability and longevity, the system has a platform with anti-slip grating, with boot brushes, an integral water feed, hoses and hose spray guns.

## KEY BENEFITS

- Robust, steel unit, designed to withstand the rigours of regular use on construction sites.
- Integrated water feed with compression fittings for up to three water hose spray guns.
- Two sizes available, either a single bay or three bays.
- Lightweight unit that can be flat packed for ease of transportation. Also has fork pockets, if required.
- Fitted with holders for the spray guns to ensure that hoses are kept off the ground when not in use.
- Removable anti-slip grating for standing on and to allow mud and water to drain through into the sump below.
- The drainage point is not at the base of the tray to ensure that if the waste is contaminated, it can be pumped out rather than draining straight into the ground.
- The systems can be connected to provide a longer washing station.

# SPECIFICATION

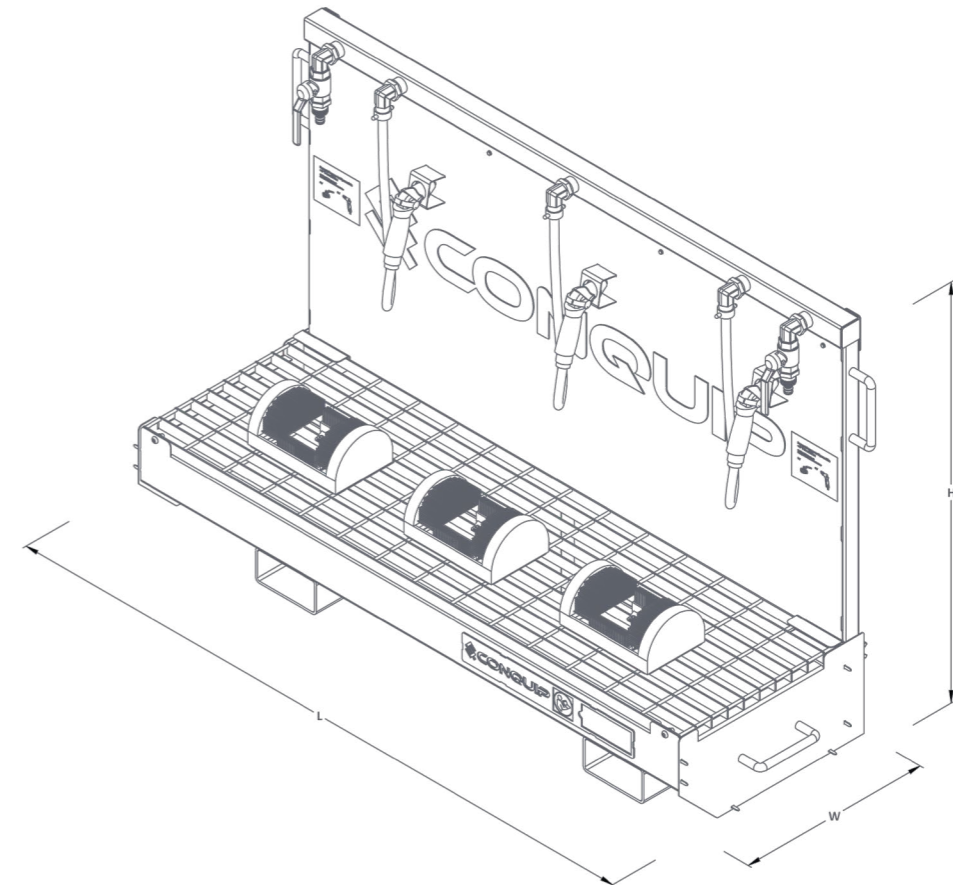
## THE RANGE



CODE	TYPE	WEIGHT (kg)
SS600AI-00001	Single Bay Boot Wash	45
SS600AI-00003	Triple Bay Boot Wash	80

# SPECIFICATION

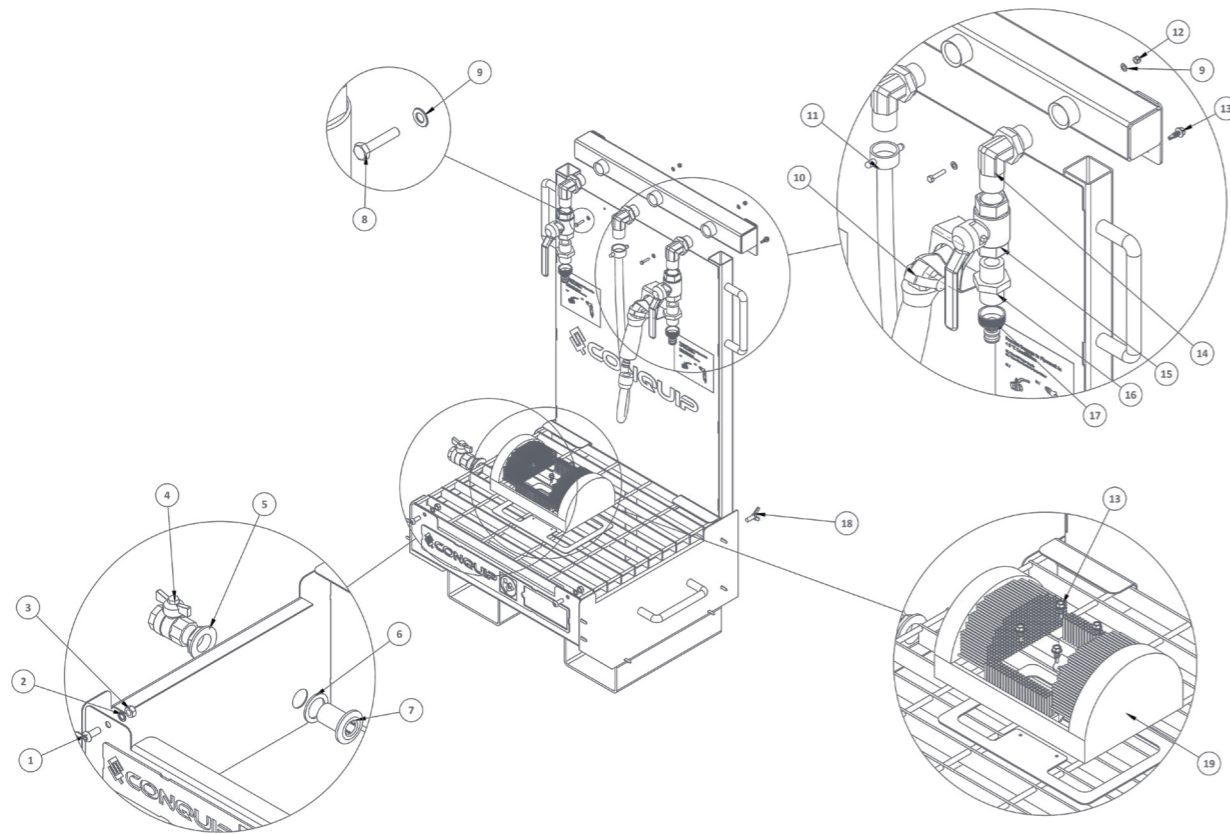
ITEM	PRODUCT CODE
Single Bay Boot Wash	SS600AI-00001
Triple Bay Boot Wash	SS600AI-00003



LENGTH (mm)	WIDTH (mm)	HEIGHT (mm)
660	520	1030
1560	520	1030

# PARTS DIAGRAM

## SINGLE BAY BOOT WASH



# PARTS DIAGRAM

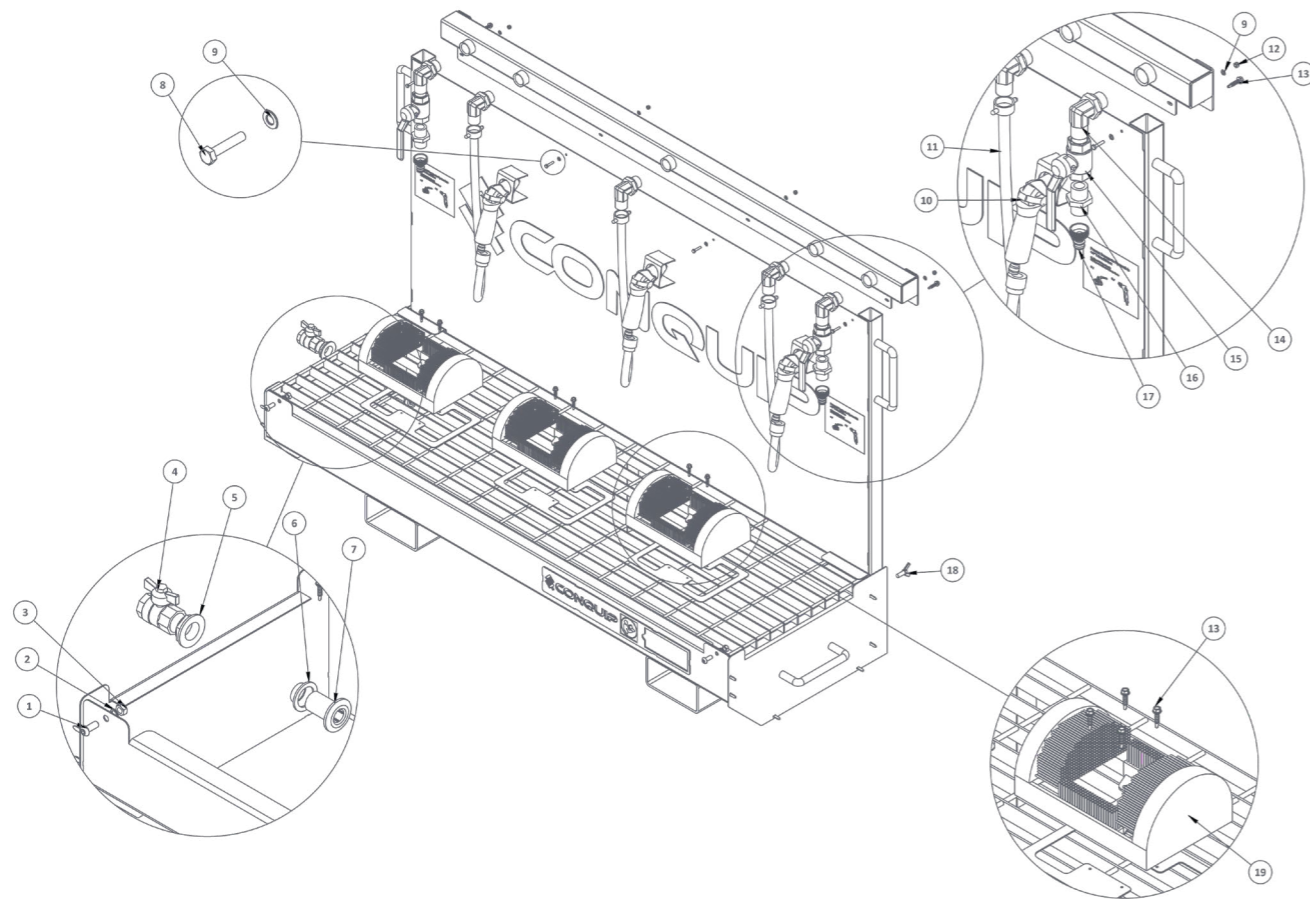
## SINGLE BAY BOOT WASH

ITEM NUMBER	PART	DESCRIPTION	QUANTITY
1	NS800984	EM8x20 Button Head Screw	2
2	NS800378	M8 Spring Washer	2
3	NS800811	SM8 Full Nut	2
4	ZZ990661	Wing Grip Ball Valve 3/4", F/F BSP Threaded Connection	1
5	ZZ990664	Tank Outlet Swivel Flat Nut 3/4"	1
6	ZZ990663	Tank Outlet Flat Seal Washer 3/4", OD: 39.5mm x ID: 27.5mm x 2.5mm	1
7	ZZ990662	Tank Outlet 3/4" Male BSP	1
8	NS800968	M4x20 Hex Head Set Screw 8.8	2
9	ZZ800120	M4 Flat Washer	4
10	ZZ990482	Water Hose Gun 12.5mm(1-2in)	1
11	ZZ990678	Hose Assembly Tricoflex 1/2", Begins: 3/4" Brass F BSP, Ends: Quick Release Fitting	1
12	NS800945	M4 Nyloc Nut	2
13	NS801021	5.5 x 16 Self Tapping Screw	6
14	ZZ990806	3-4 BSP 90 Deg Elbow	3
15	ZZ990807	Lever Ball Valve 3/4", F/F BSP	2
16	ZZ990808	3-4 BSP Male Adaptor	2
17	ZZ990483	Brass Tap Connector 3-4	2
18	NS800970	M8 X 20mm Wing Bolt	2
19	ZZ990793	Heavy Duty Boot Brush	1

NOTE: These parts are for this model, they may differ for previous versions. Please contact Conquip with any queries.

# PARTS DIAGRAM

## TRIPLE BAY BOOT WASH



# PARTS DIAGRAM

## TRIPLE BAY BOOT WASH

ITEM NUMBER	PART	DESCRIPTION	QUANTITY
1	NS800984	EM8x20 Button Head Screw	2
2	NS800378	M8 Spring Washer	2
3	NS800811	SM8 Full Nut	2
4	ZZ990661	Wing Grip Ball Valve 3/4", F/F BSP Threaded Connection	1
5	ZZ990664	Tank Outlet Swivel Flat Nut 3/4"	1
6	ZZ990663	Tank Outlet Flat Seal Washer 3/4", OD: 39.5mm x ID: 27.5mm x 2.5mm	1
7	ZZ990662	Tank Outlet 3/4" Male BSP	1
8	NS800968	M4x20 Hex Head Set Screw 8.8	4
9	ZZ800120	M4 Flat Washer	8
10	ZZ990482	Water Hose Gun 12.5mm(1-2in)	3
11	ZZ990678	Hose Assembly Tricoflex 1/2", Begins: 3/4" Brass F BSP, Ends: Quick Release Fitting	3
12	NS800945	M4 Nyloc Nut	4
13	NS801021	5.5 x 16 Self Tapping Screw	14
14	ZZ990806	3-4 BSP 90 Deg Elbow	5
15	ZZ990807	Lever Ball Valve 3/4", F/F BSP	2
16	ZZ990808	3-4 BSP Male Adaptor	2
17	ZZ990483	Brass Tap Connector 3-4	2
18	NS800970	M8 X 20mm Wing Bolt	2
19	ZZ990793	Heavy Duty Boot Brush	3

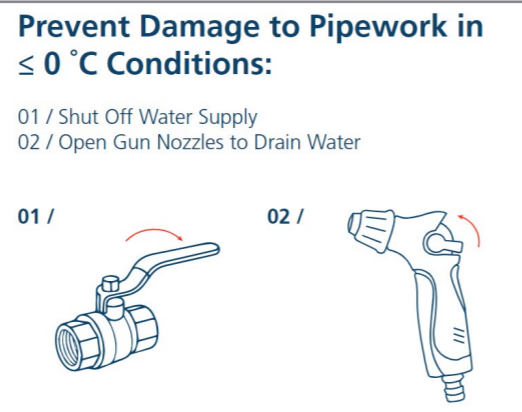
NOTE: These parts are for this model, they may differ for previous versions. Please contact Conquip with any queries.



# OPERATIONAL PROCEDURES

## IMPORTANT USAGE NOTES

- Ensure the drainage tray is free of any dirt or water and fully empty before lifting and manoeuvring.
- The hose connector is a standard British outdoor tap connector. Ideal for ¾ inch BSP taps.
- The Boot Wash is lightweight so can be installed by hand, by two operatives, rather than using a forklift.
- Empty trough regularly and before lifting.
- To prevent damage to pipework in freezing conditions during the winter months, shut off the water supply by closing the inlet tap and open the opposite tap (not connected to hose), and open the gun nozzles after use to drain the water.
- Look for this sticker on the Boot Wash for instructions of how to shut off the water supply.
- Suitable to be moved around site via a forklift. Only lift with two people and only once the backboard is disconnected from the trough to avoid injury. Do not lift alone.



## INSTALLATION USING A FORKLIFT

01. To move the Boot Wash with a forklift, first set the machine's forks to the correct width for the Boot Wash fork pockets. Make sure they are equidistant from the centre.
02. Drive the forklift to the Boot Wash, aligning the forks with the Boot Wash fork pockets.
03. Double check that they are correctly aligned, then move the telehandler forward until the forks are fully inserted into the fork pockets
04. The Boot Wash is now ready to lift.
05. Manoeuvre the Boot Wash to the required position on site and lower onto firm, level ground.
06. Having lowered the Boot Wash to the ground, reverse the forklift clear of the equipment.
07. Connect the integral water feed of the Boot Wash to a water source. Make sure the tap on the side of the tray is turned off, so that waste doesn't leave the tray until you are ready to empty it.
08. The Boot Wash is now ready to use.

## INSTALLATION BY PERSONNEL

01. Lift the separate components to the area of set up. Using two people, place the tray in the desired position on level ground.
02. Now place the grate into the tray and ensure it is level and secure.
03. Lift the backboard and slot it into the tab holes at the back of the tray. Ensure it is securely slotted into the tray.
04. Connect the integral water feed of the Boot Wash to a water source. Make sure the tap on the side of the tray is turned off to prevent waste leaving the tray until ready to empty the tray.
05. The Boot Wash is now ready to use.

## USAGE INSTRUCTIONS

01. Take the spray gun from the holder.
02. To turn the spray gun on, hold the holster and then push the trigger up with your thumb. You can adjust the volume and stream of water spray by twisting the nozzle section to the left or the right.
03. Use the brush on the grating to remove any large clods of mud from the boots. For best results spray water at the boot and use the brush, simultaneously.
04. To empty the tray, open the tap on the side of the unit. If you are left with solid mud or dirt in the bottom of the tray, you can remove this with a shovel.
05. If the water is contaminated, you can connect a hose to the tap of the tray and pump the contaminated waste into a separate container.

# MAINTENANCE & INSPECTION

## MAINTENANCE REGIME

- It is mandatory that the equipment is thoroughly examined regularly, by a qualified engineer, to ensure compliance with relevant regulations. Conquip recommend carrying out a thorough examination every six months.
- This equipment may incorporate various loose and detachable items including, but not limited to pins, bolt assemblies and adaption plates. Refer to the separate requirements for the safe use of those items.
- When not being used, store the unit in a clean, upright condition and in a safe place where it will be protected from thieves and unauthorised users.
- This equipment must be inspected by the responsible person before each use and then regularly, as determined by your risk assessment or working practice. If you have any concerns about the machinery's condition or suitability, do not use it.

## VISUAL INSPECTION CHECKLIST

INSPECTION ITEMS	RESULTS		COMMENTS
	SATISFACTORY	UNSATISFACTORY	
Serial Number			CQ.....
Product Code			
Working Load Limit (kg)			
Conforms to user guide specification			
Water leaks			
Split hose			
Spray gun damage			
Ball valves operational			
Boot scrubber damage			
General visual inspection of the body			
<b>SIGNATURE</b>			
Name	Position	Qualification	Signature & Date



# GENERAL SAFETY INSTRUCTIONS

The equipment should be properly operated and maintained to keep it in a safe, efficient operating condition. Be sure that all fixings and components are free of mud or other matter that might cause issues hazardous to the operator, service personnel or other personnel or equipment. Report all malfunctions to those responsible for maintenance, and do not operate the equipment until corrected. Normal service or maintenance performed as required can prevent unexpected and unnecessary downtime.

This operations manual describes general inspections, servicing and operation with the normal safety precautions required for normal servicing and operating conditions. It is not a guide, however, for abnormal conditions or situations. Service personnel and operators must be safety conscious and alert to recognise potential servicing or operating safety hazards at all times, and take necessary precautions to assure safe servicing and operation of the equipment.



**M002**  
Refer to instructions manual



**M004**  
Wear eye protection



**M008**  
Wear safety footwear



**M009**  
Wear protective gloves



**M010**  
Wear protective clothing



**M014**  
Wear head protection



**M015**  
Wear high-visibility clothing

## GENERAL NOTES

- Read this operations manual and learn the operating characteristics and limitations of the equipment. Know what operating clearances the machine requires.
- Read and understand all the safety signs prior to operation.
- If the safety signs are obstructed by dirt or debris, clean them using mild soap and water prior to operation.
- If the safety signs are damaged or illegible, replace them immediately, prior to operation.
- Be aware of operating hazards that weather changes can create on the job. Know proper procedures to follow when a severe rain or electrical storm strikes.
- Never attempt to operate or work on machinery when not feeling physically fit.
- Never wear loose clothing, rings, watches, heavy gloves etc., that might catch and result in injury.
- Know what safety equipment (PPE) is required and use it. Such equipment may be: hard hat, safety glasses, reflector type vests, protective gloves and safety footwear.

# TERMS & CONDITIONS

## CONQUIP ENGINEERING GROUP STANDARD PRODUCT WARRANTY

### 01. COMMENCEMENT

1.1 This Warranty shall commence on the Commencement Date and shall continue until the earlier of:

- (a) the Expiry Date; or
- (b) the date on which it may be voided in accordance with clause 4.1(b)

when it shall terminate automatically without notice.

### 02. DUTY OF GOOD FAITH

2.1 The Purchaser shall in the exercise of its rights under this Warranty and in the compliance with its obligations under this Warranty be subject to and shall in all respects owe and comply with a duty of good faith to the Warrantor.

### 03. NATURE AND EXTENT OF COVER

3.1 Subject to clause 3.2 the Warrantor agrees and undertakes to the Purchaser that it shall be liable to the Purchaser under and in accordance with the terms of this Warranty in the event that:

- (a) prior to the Expiry Date the Purchaser shall notify a Warranty Claim to the Warrantor; and
- (b) the Equipment or any relevant part of the Equipment shall have become unusable as the result of defective material or defective workmanship prior to the Expiry Date.

3.2 The Warrantor's obligation under clause 3.1 shall be expressly subject to the provisions of clauses 4, 5 and 6 and conditional upon the Purchaser's compliance in full with the provisions of clause 7.

### 04. RESTRICTIONS

4.1 The following restrictions apply to this Warranty:

(a) This Warranty is personal to the Purchaser and neither the legal benefit nor legal burden of this warranty may be assigned or novated or otherwise transferred by the Purchaser to any other party. Any purported assignment, novation or transfer shall not be binding upon the Warrantor.

(b) This Warranty shall be void in the event that the Purchaser:

(i) cannot provide authentic and original documentary evidence that the Purchaser has during the period between the Commencement Date and the Expiry Date complied with the Maintenance and Servicing Requirements; and/or

(ii) has, during the period between the Commencement Date and the Expiry Date, exceeded the Purchaser's Usage Cycle Parameters; and/or

(iii) has, during the period between the Commencement Date and the Expiry Date, exceeded the Purchaser's Use Parameters; and/or

(iv) has carried out, or procured the carrying out by any third party of, any repair to the Equipment or any part of the Equipment which is not an Authorised Repair; and/or

(v) has operated the Equipment after having replaced any part of the Equipment with a part which has not been supplied and fitted by the Warrantor; and/or

(vi) has modified the Equipment in any way prior to use.

### 05. EXCLUSIONS

5.1 The following are excluded from the scope of this Warranty:

(a) Loss of and/ or damage to the Equipment or any part of it resulting from any collision between the Equipment and any other fixed or stationary or mobile object whatsoever, irrespective of whether that collision was or was not caused by the Purchaser; and/or

(b) Loss of and/or damage to any personal property and/or possessions or other equipment not forming part of the Equipment but which is present in or about the Equipment; and/or

(c) loss and/or damage which is covered by any other insurance policy taken out and maintained by the Purchaser or in respect of which the Purchaser has a contractual obligation to do so; and/or

(d) loss and/or damage to the equipment which is consistent with the use by the Purchaser of the Equipment:

(i) in compliance with the Maintenance and Servicing Requirements; and

(ii) in compliance with the Usage Cycle Parameters; and

(iii) in compliance with the Use Parameters; and

(iv) having only carried out Authorised Repairs to the Equipment; and

(v) having all and any replacement parts fitted by the Warrantor; and

(vi) in unmodified form.

## 06. LIMITATION OF LIABILITY

6.1 The Warrantor's liability to the Purchaser shall be limited as follows:

- (a) The Warrantor shall not in any circumstances be liable to the Purchaser for indirect and/or consequential and/or economic loss suffered and/or incurred as the case may be by the Purchaser; and
- (b) The Warrantor shall only be liable to the Purchaser for the reasonable and proper costs reasonably and properly incurred by the Purchaser directly in connection with the repair and/or replacement (at the Warrantor's absolute discretion) of the Equipment or any part of the Equipment; and
- (c) The Warrantor's liability to the Purchaser shall notwithstanding any other provision of this Warranty, not in any circumstances exceed the Purchase Price of the Equipment.

## 07. WARRANTY CLAIMS

7.1 The Purchaser shall in respect of any claim against the Warrantor under this Warranty and within 24 hours of the occurrence of the subject matter of the Warranty Claim:

- (a) Complete in full and submit to the Warrantor a Warranty Claim in the form annexed to Schedule 4;
- (b) Provide date stamped or date identifiable photographs evidencing the claim; and
- (c) Make the Equipment or the relevant part of the Equipment available to the Warrantor for inspection within 48 hours of notification of the relevant Warranty Claim.

## 08. ENTIRE AGREEMENT

8.1 This Warranty constitutes the entire agreement between the parties and supersedes and extinguishes all previous promises, assurances, warranties, representations and understandings between them, whether written or oral, relating to its subject matter.

8.2 Each party agrees that it shall have no remedies in respect of any statement, representation, assurance or warranty (whether made innocently or negligently) that is not set out in this Warranty. Each party agrees that it shall have no claim for innocent or negligent misrepresentation or negligent misstatement based on any statement in this Warranty.

No variation of this Warranty shall be effective unless it is in writing and signed by the parties (or their authorised representatives).

## 09. WAIVER

No failure or delay by a party to exercise any right or remedy provided under this Warranty or by law shall constitute a waiver of that or any other right or remedy, nor shall it prevent or restrict the further exercise of that or any other right or remedy. No single or partial exercise of such right or remedy shall prevent or restrict the further exercise of that or any other right or remedy.

## 10. SEVERANCE

10.1 If any provision or part-provision of this Warranty is or becomes invalid, illegal or unenforceable, it shall be deemed deleted, but that shall not affect the validity and enforceability of the rest of this Warranty.

10.2 If any provision or part-provision of this Warranty is deemed deleted under clause 10.1 the parties shall negotiate in good faith to agree a replacement provision that, to the greatest extent possible, achieves the intended commercial result of the original provision.

## 11. THIRD PARTY RIGHTS

11.1 This Warranty does not give rise to any rights under the Contracts (Rights of Third Parties) Act 1999 to enforce any term of this Warranty.

## 12. GOVERNING LAW

12.1 This Warranty and any dispute or claim (including non-contractual disputes or claims) arising out of or in connection with it or its subject matter or formation shall be governed by and construed in accordance with the law of England and Wales.

## 13. JURISDICTION

13.1 Each party irrevocably agrees that the courts of England and Wales shall have exclusive jurisdiction to settle any dispute or claim (including non-contractual disputes or claims) arising out of or in connection with this Warranty or its subject matter or formation.

# EC DECLARATION OF CONFORMITY

## IN ACCORDANCE WITH EN ISO 17050-1:2004

Declaration: As defined by the Machinery Directive 2006/42/EC and subsequent amendments

We, CONQUIP ENGINEERING GROUP, herewith declare that the following indicated equipment meets the fundamental health and safety requirements concerning the EU guideline(s), due to their design and manufacture.

This declaration will be rendered null and void if the machine is changed without our approval.

**SIGNED:**

**DATED: 2025**

---

Garry Critchley, Chief Executive Officer

PRODUCT CODES	GENERAL DESCRIPTION / DESIGNATION	WORKING LOAD LIMIT
SS600AI-00001	Single Bay Boot Wash	N/A
SS600AI-00003	Triple Bay Boot Wash	N/A

ITEM	CODE	DESCRIPTION
<b>EC DIRECTIVE/REGULATION</b>	2006/42/EC	Directive 2006/42/EC- new machinery directive
<b>HARMONISED STANDARDS</b>	BS EN ISO 12100:2010	Safety of machinery General principles for design Risk assessment and risk reduction
<b>OTHER REGULATIONS</b>	LOLER 1998	Lifting Operations and Lifting Equipment Regulations 1998 (LOLER)
	PUWER 1998	Provision and Use of Work Equipment Regulations 1998 (PUWER)

TALKING TO US IS EASY  
**WE'RE HERE TO HELP**

Call us on 0333 300 3470  
Email us at [sales@cqegroup.com](mailto:sales@cqegroup.com)  
[www.cqegroup.com](http://www.cqegroup.com)

