



User Guide

# XXL Lifting Cage

---



## Product Information

### **Overview**

---

Large capacity lifting cage for transporting materials or equipment in a singular lift.

The XXL Lifting Cage is a safe and efficient method for transporting materials and equipment. Solid steel sides and a large working load limit allow the cage to transport heavy, awkward, or 'oversized' items to high or low locations on-site, in just one lift.

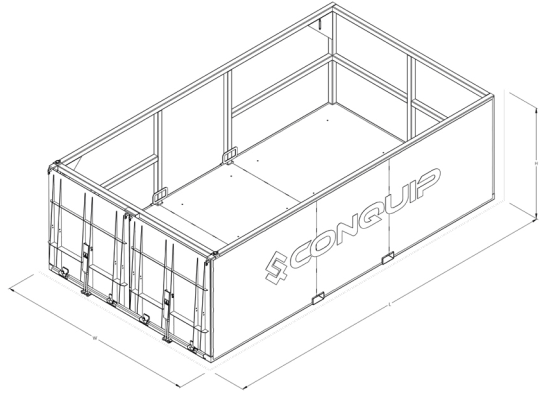
With a large Working Load Limit of 5000kg, the XXL Lifting Cage provides a 'one-stop' lifting solution for a wide range of materials, equipment, and machinery.

### **Key Benefits**

- Efficient as fewer lifts required to transport materials and equipment.
- Reduced number of lifts ensures less crane time is required to transport goods.
- No site operatives required to sling or 'choke' items improving safety.
- Large access gates ensure access to all available areas within the cage.
- Solid sides allow any material type to be transported without risk of it falling out.
- Incorporated tie down points ensure heavier loads and machinery can be secured.
- Large Working Load Limit of 5000kg.

## Product Information Specification

Item	Product Code
XXL Lifting Cage	CA124AL-10824



<sup>1</sup>Working Load Limit

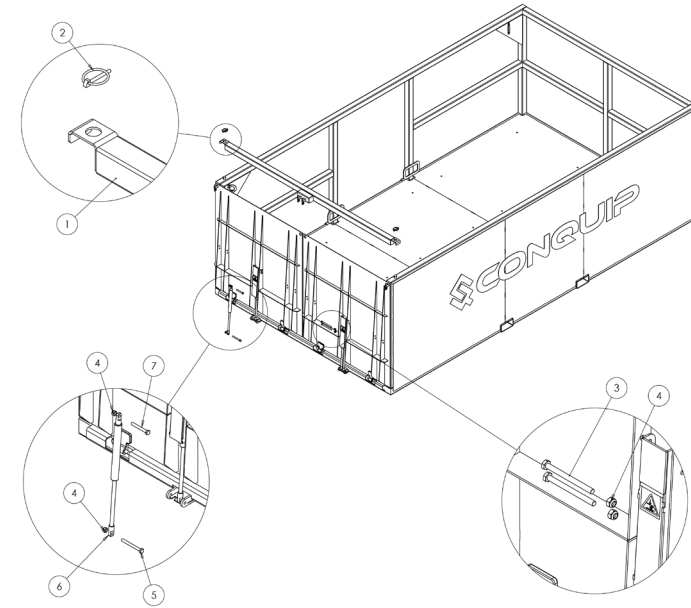
Product Code	Height	Width	Length	Weight	WLL <sup>1</sup>
CA124AL-10824	1310mm	2335mm	4140mm	1110kg	5000kg



Product Code	Internal width	Internal Length	Internal Clear Area Width	Internal Clear Area Length
CA124AL-10824	2200mm	3875mm	2074mm	3595mm

## Product Information Parts Diagram

### XXL Lifting Cage



NOTE: These parts are for this model, they may differ for previous versions. Please contact Conquip with any queries.

Item Number	Part Number	Description	Quantity
1	-	Spreader Beam Assembly	1
2	ZZ990009	Linch Pin 6mm	2
3	NS800480	M10x120 Hex Head Set Screw 8.8	4
4	NS800013	M10 Nyloc Nut	8
5	NS800138	M10x100 Hex Head Set Screw 8.8	2
6	ZZ960042	Gas Strut 1500N	4
7	NS800917	M10x80 Hex Head Set Screw 8.8	2

## Original Working Instructions

# Usage Instructions

---

### Important Usage Notes

- Do not unevenly load the Goods Cage.
- The Goods Cage must only be lifted by the designated four lifting points.
- Make sure the destination location is safe for personnel access before moving the load.
- Use the tie down points to secure the load before beginning to move the goods cage.
- Ensure the cage is positioned on a level piece of ground, where possible.
- Take care when dropping the ramp down to ensure your feet are well clear of it.

### Using with a Crane

1. Load the cage using the fold down ramp for access.
2. Secure the load to the tie down points using suitably rated ratchet straps or load binders, if there is room for movement within the cage.
3. Once the supervisor is happy that the load is secure, balanced, and does not exceed maximum loading weights, attach a suitable rated chain sling to the four lifting points at each of the corners of the cage.
4. Attach a tagline (if required) to ensure that the slinger/signaller can guide the load into place.
5. Check that personnel are clear from the immediate area and the future location to allow for swing of the cage when lifting off the ground.
6. Crane to location and lower onto a firm, stable, flat surface.
7. Unload the materials, using the access ramp.

## Original Working Instructions

# Safety Instructions

---

### Basic Safety

A site-specific Risk Assessment, and lift plan where applicable, must be completed by the responsible person before using this equipment to control risks, produce a safe system of work and ensure safety for you, your colleagues and others. Your risk assessment will determine the correct Personal Protective Equipment (PPE) for the task you are doing. You must use it. Conquip recommends that you should wear:

- Suitable clothing
- Gloves
- Hard hat
- Protective footwear (steel toecaps)
- Safety glasses



### Important Safety Notes

- Read these instructions before using this equipment. If there is anything you do not understand or if you have any concerns do not use this equipment. Contact your supervisor or Conquip Engineering Group for advice.
- You must check that you have considered all the safety requirements for the task you are doing and that this equipment is suitable.
- You must protect bystanders and the general public by preventing access to the working area.
- Do not use this equipment if you are tired, unwell or under the influence of alcohol or drugs. If you are taking any medicine or undergoing treatment you should inform your supervisor.

## Usage & Transportation

- Never unevenly load this equipment.
- The weight of the equipment, together with its attachments, must be added to the weight of the load when calculating the total load that will be imposed on the lifting apparatus / operating machine.
- This equipment must be used in conjunction with the load ratings of the lifting apparatus / operating machine. (Refer to the manufacturers' load ratings and original working instructions).
- Make sure you know how to use this equipment and understand all aspects of its operation in case of emergency.
- This equipment weighs more than 25kg. Do not lift or manhandle without machine assistance.
- Do not operate this equipment near overhead power lines.
- Take care in confined spaces, near ceilings or similar hazards. This equipment was designed for vertical lifting. Do not drag, or swing.
- Before operating this equipment, check that you have enough space for you to work safely and make sure that the working area is clear of hazards, obstructions and personnel.
- Before lowering equipment make sure that the landing zone is clear and capable of accepting the size and weight of the load.
- Crush Risk. Keep hands and feet clear of the equipment at all times to avoid injury.
- Do not exceed the maximum Working Load Limit (WLL) shown on the serial plate. Ensure that the WLL on the individual lift points is not exceeded.
- Before lifting, check that the load is secured, balanced and stable. Allow space for the equipment to move if the load shifts.

## Personnel

- All personnel must wear relevant personal protective equipment.
- Do not wear loose clothing or jewellery and tie back long hair to avoid becoming tangled or trapped in this equipment. You must make everyone in the work area aware of what you are doing.
- All personnel involved in the lifting operation must be competent to do so and must have been briefed in conjunction with this User Guide available from Conquip Engineering Group, the manufacturer.

## Equipment Maintenance & Cleaning

- It is mandatory that the equipment is thoroughly examined regularly, by a qualified engineer, to ensure compliance with relevant regulation/s. (Conquip recommend to carry out thorough examination every six months).
- This product may incorporate various loose and detachable items of lifting gear. Refer to the separate requirements for the safe use of those items.
- When not being used, store the unit in a clean, upright condition and in a safe place where it will be protected from thieves and unauthorised users.
- This equipment must be inspected by the responsible person before each use and then regularly, as determined by your risk assessment or working practice. If you have any concerns about condition or suitability do not use.

## Disclaimer

---

### Warranty

The products supplied by Conquip Engineering Group are all guaranteed by a 12 month warranty.

Apart from where exceptions apply, Conquip Engineering Group promises to repair or replace any fault which the Company considers to be due to defective material or workmanship within 12 months of the date of sale, at no additional cost.

- Faults arising from unauthorised alterations (see modifications section below for full details).
- Damage caused by abuse, neglect, misuse or falling.
- Damage caused because of failure to follow transportation, storage, loading, cleaning or operating instructions.
- Replacement or repair of components due to fair wear and tear.
- Any consequential damage or wear arising from the use or fitting of additional or non-standard parts.

### Modifications

If any third-party modifications or alterations, involving drilling, welding, cutting or distortion of materials in any form, are to be carried out on the product, Conquip Engineering Group must provide full written approval prior to the work being carried out.

Alterations, modifications, additions or repairs must be carried out by Conquip Engineering Group's recognised distributors, if they are not carrying out the work themselves.

Conquip Engineering Group operate a continuous improvement policy and therefore reserve the right to alter technical specifications and user guide details at any point without notice.

Conquip Engineering Group will not cover or reimburse any transportation and/or shipment costs to and from their premises or their recognised agents, or any material and/or labour costs for repair, replacement or assessment against a warranty claim.

Conquip Engineering Group and/or their directors, employees, insurers or recognised agents will not be held liable for consequential damages, losses or expenses relating to the inability to use the product correctly for its purpose.

# EC Declaration of Conformity

## In accordance with EN ISO 17050-1:2004

Declaration: As defined by the Machinery Directive 2006/42/EC and subsequent amendments

We, CONQUIP ENGINEERING GROUP, herewith declare that the following indicated equipment meets the fundamental health and safety requirements concerning the EU guide line(s), due to their design and manufacture.

This declaration will be rendered null and void if the machine is changed without our approval.

**Signed:**



**Dated: 2020**

**Garry Critchley, Managing Director**

<b>Product Code(s):</b>	CA124AL-10824
<b>EC Directive/Regulation:</b>	2006/42/EC, Lifting Operations and Lifting Equipment Regulations 1998 Provision and Use of Work Equipment Regulations 1998
<b>Harmonised Standards:</b>	BS EN ISO 12100:2010 BS EN 13155
<b>General Description/Designation:</b>	XXL Lifting Cage – CA124AL-10824
<b>WLL:</b>	CA124AL-10824 = 5000kg

## Important Notes

- This User Guide is for this Conquip product only.
- Any movements of the product must be thoroughly planned before the work commences to identify potential hazards and assess risk.
- All personnel involved in lifting and transportation of this product must have read this User Guide and must be properly briefed.
- You must be competent, alert and medically fit when using this equipment. If you have a medical condition, a mental or physical disability, you must seek advice from a medical professional before using this equipment.

Talking to us is easy

**We're here to help**

Call us on +44 (0) 333 3000 3470

Email us at [sales@cqegroup.com](mailto:sales@cqegroup.com)

[www.cqegroup.com](http://www.cqegroup.com)

**Conquip Engineering Group**

Waterbrook Estate, Alton, Hampshire, GU34 2UD