

User Guide

# Block Grab



## Product Information Specification

Item	Product Code
Block Grab 800	CA105AH-00800
Block Grab 1000	CA105AH-01000

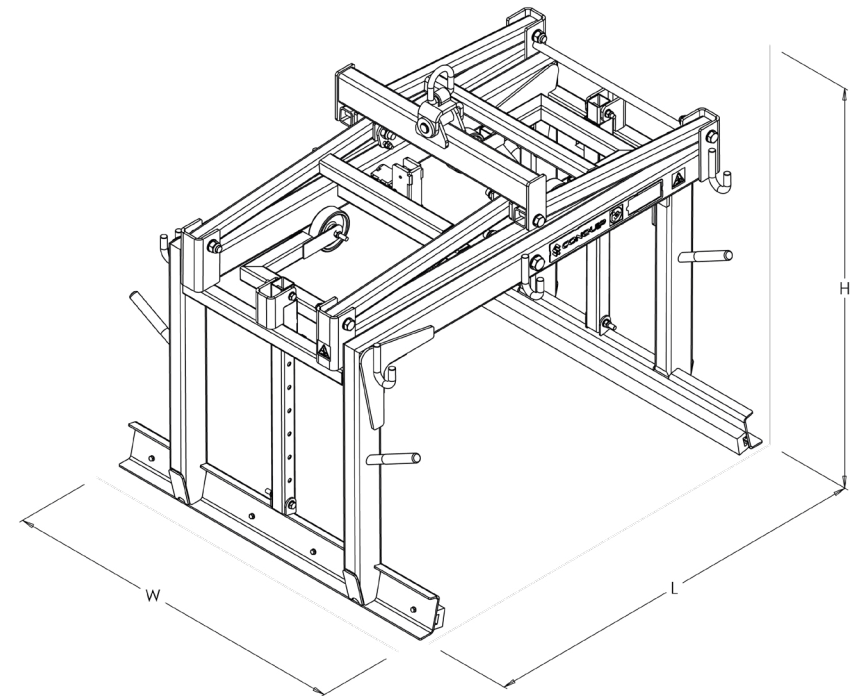
### Product Information Overview

The Conquip Block Grab is designed and manufactured to lift secure packs of blocks and bricks. It features an automatic mechanism that enables a single operator to stack or unstack secure loads.

The Block Grab is also suitable for handling all types of concrete products, such as slabs, steel strapped bricks, blocks, kerb stones and paving blocks.

### Key Benefits

- Automatic catch mechanism enables a single operator to stack or unstack secure loads.
- Load levelling arms increase durability and strength, with an outstanding Working Load Limit of 1800kg.
- Can be supplied with safety net for extra security of load.
- Versatile design and two options of sizes, caters for flexibility of lifting usage and site conditions.

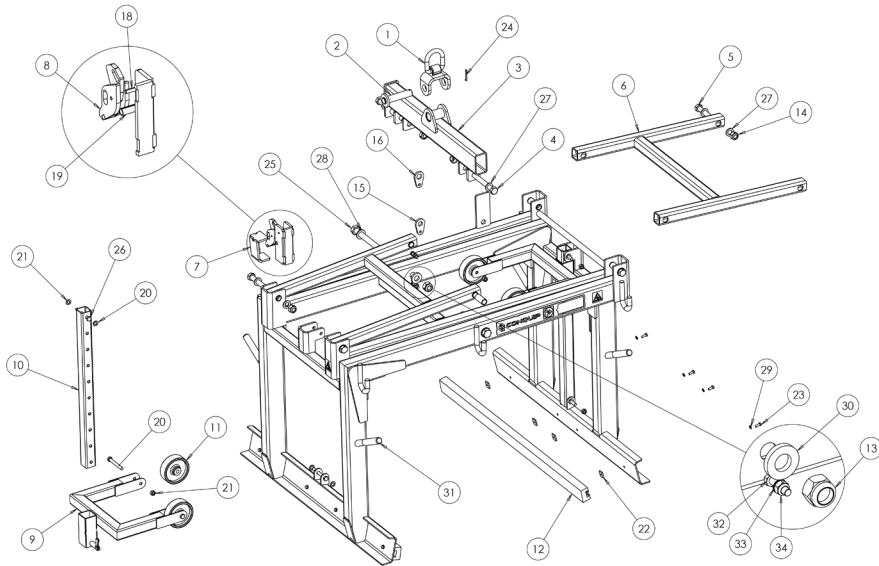


<sup>1</sup>Working Load Limit

Product Code	Height	Height Internal	Width	Length	Weight	WLL <sup>1</sup>
CA105AH-00800	1340mm	800mm	1210mm	1480mm	240kg	1800kg
CA105AH-01000	1540mm	1000mm	1210mm	1560mm	250kg	1800kg

## Product Information Parts Diagram

### Block Grab



NOTE: These parts are for this model, they may differ for previous versions. Please contact Conquip with any queries.

Item Number	Part Number	Description	Quantity
1	CA105AH-00800-05-07	Lifting Yolk Assembly	1
2	CA105AH-00800-05-07-04	Load Pin 30 x 140mm	1
3	CA105AH-00800-05	Bale Arm	1
4	M20x200 Hex Head Set Screw 8.8	M20x200 Hex Head Set Screw 8.8	2
5	NS800364	M20x120 Hex Head Bolt 8.8	4
6	CA105AH-00800-03	H Frame Assembly	2
7	CA105AH-00800-04-02	Catch Bar on H Beam	1
8	CA105AH-00800-04-05	Catch Assembly	1
9	CA105AH-00800-06	Support Arm Assembly	2

## Product Information Parts Diagram

Item Number	Part Number	Description	Quantity
10	CA105AH-00800-01-09	Upright Incremental Structure	2
11	ZZ150014	Wheel	4
12	ZZ150049	Block Grab Rubber 1200 x 60 x 38	2
13	NS800122	M24 Nyloc Nut	2
14	NS800841	M20 Nyloc Nut	6
15	ZZ150003	Restraint Chain	1
16	CA105AH-00800-07	Chain Bracket Bottom	1
17	CA105AH-00800-08	Chain Bracket Top	1
18	ZZ150103	8mm x 54mm Roll Pin	2
19	ZZ150102	16mm x 54mm Roll Pin	1
20	NS800234	M12 x 100 Hex Head Set Screw 8.8	8
21	NS800015	M12 Nyloc Nut	8
22	ZZ150015	Clamp Plate	8
23	NS800160	M8x20 Hex Head Set Screw 8.8	8
24	ZZ960027	5mm Split Pin	1
25	NS800943	M24 x 200 Hex Head Set Screw 8.8	2
26	NS800454	M12 Flat Washer	8
27	NS800668	M20 Flat Washer	10
28	NS800625	M24 Flat Washer	2
29	NS800235	M8 Flat Washer	8
30	CA105AH-00800-09	Washer	4
31	ZZ150019	Rubber Handle Grip	4
32	NS800924	M10x40 Hex Head Set screw	2
33	NS800262	M10 Flat Washer	2
34	NS800013	M10 Nyloc Nut	2

## Original Working Instructions

# Usage Instructions

### Important Usage Notes

- This type of lifting equipment relies upon a 'crushing' force to grip the load prior to and during the lift. There will always be the possibility that the load (especially of soft materials) may break up and become unstable during the lift. You should therefore inspect each load prior to lifting, to ensure its suitability.
- Do not allow hands or feet to come between, or below the grab and the load.
- Do not attempt to adjust or manhandle a load whilst it is in a raised position.
- The grab arms should not be in contact with the ground. However, when lifting blocks, the grab arm should be no higher than 1/3 up the block.
- Always try to lift the blocks end on rather than the sides. The loads length must not be greater than the grab arms.
- Do not drag the load; this equipment is for lifting the load clear off the ground.

### Using with Lifting Apparatus

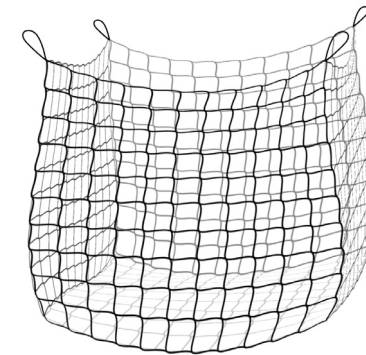
1. Attach the lifting apparatus' hook to the Block Grab's lifting point. Always ensure that the hook's gate is correctly closed.
2. Place the Block Grab on the ground making sure that its jaws are fully open.
3. Position the height of the contact wheels so that the distance from the grab jaws to the wheels is equal to the load's height.
4. The position of the wheels is adjusted by pulling out the pins to unlock, move the wheels up or down the arm height locator as required, then reinserting the pins to lock.
5. This adjustment must be carried out to equal setting on both sets of wheels. The grab is now ready to use.
6. Secure the pack to be lifted with banding. If not banded, when lifting stacked loads such as building blocks, the blocks may separate during the lift.
7. Raise the grab and position over the load, checking that it is centrally aligned before lowering.
8. Lower the grab until the automatic locking mechanism closes onto the load.

9. Raise the load just above the ground and check that the load is correctly balanced and secure.
10. Whilst the load is being held off the ground, fix a Safety Restraint Net. Pull the net under the loaded Block Grab, lift up around the outside of the Block Grab and secure the loops on the net to the safety net hooks. The net can be adjusted by pulling up any slack on to the hooks. Only use a tested and certified net, as supplied by Conquip Engineering Group.
11. Once the net is secured and the load is safe, proceed to move the load to its required position.
12. Move slowly and carefully; do not jolt the load.
13. When in position, lower the load until in contact with the ground. The grab jaws will automatically release and allow you to raise the Block Grab clear of the load.
14. You can now proceed to the next load.
15. An unloaded grab will alter between grip and release each time it receives a jolt. This may cause the jaws to be out of sync when you next attempt to 'grab a load'. If this is the case, lower the empty Block Grab to the ground to alter to the release position before reloading.

### Product Information

## Specification

Item	Product Code
Safety Restraint Net	NE100



Depth	Width	Length	Twine	Mesh	Weight	Compatible with
1600mm	1500mm	1500mm	5mm	45mm	5kg	CA105

# Original Working Instructions

## Safety Instructions

### Basic Safety

A site-specific Risk Assessment, and lift plan where applicable, must be completed by the responsible person before using this equipment to control risks, produce a safe system of work and ensure safety for you, your colleagues and others. Your risk assessment will determine the correct Personal Protective Equipment (PPE) for the task you are doing. You must use it. Conquip recommends that you should wear:

- Suitable clothing
- Gloves
- Hard hat
- Protective footwear (steel toecaps)
- Safety glasses



### Important Safety Notes

- Read these instructions before using this equipment. If there is anything you do not understand or if you have any concerns do not use this equipment. Contact your supervisor or Conquip Engineering Group for advice.
- You must check that you have considered all the safety requirements for the task you are doing and that this equipment is suitable.
- You must protect bystanders and the general public by preventing access to the working area.
- Do not use this equipment if you are tired, unwell or under the influence of alcohol or drugs. If you are taking any medicine or undergoing treatment you should inform your supervisor.

### Usage & Transportation

- Never unevenly load this equipment.
- The weight of the equipment, together with its attachments, must be added to the weight of the load when calculating the total load that will be imposed on the lifting apparatus / operating machine.
- This equipment must be used in conjunction with the load ratings of the lifting apparatus / operating machine. (Refer to the manufacturers' load ratings and original working instructions).
- Make sure you know how to use this equipment and understand all aspects of its operation in case of emergency.
- This equipment weighs more than 25kg. Do not lift or manhandle without machine assistance.
- Do not operate this equipment near overhead power lines.
- Take care in confined spaces, near ceilings or similar hazards. This equipment was designed for vertical lifting. Do not drag, or swing.
- Before operating this equipment, check that you have enough space for you to work safely and make sure that the working area is clear of hazards, obstructions and personnel.
- Before lowering equipment make sure that the landing zone is clear and capable of accepting the size and weight of the load.
- Crush Risk. Keep hands and feet clear of the equipment at all times to avoid injury.
- Do not exceed the maximum Working Load Limit (WLL) shown on the serial plate. Ensure that the WLL on the individual lift points is not exceeded.
- Before lifting, check that the load is secured, balanced and stable. Allow space for the equipment to move if the load shifts.

### Personnel

- All personnel must wear relevant personal protective equipment.
- Do not wear loose clothing or jewellery and tie back long hair to avoid becoming tangled or trapped in this equipment. You must make everyone in the work area aware of what you are doing.
- All personnel involved in the lifting operation must be competent to do so and must have been briefed in conjunction with this User Guide available from Conquip Engineering Group, the manufacturer.

### Equipment Maintenance & Cleaning

- It is mandatory that the equipment is thoroughly examined regularly, by a qualified engineer, to ensure compliance with relevant regulation/s. (Conquip recommend to carry out thorough examination every six months).
- This product may incorporate various loose and detachable items of lifting gear. Refer to the separate requirements for the safe use of those items.
- When not being used, store the unit in a clean, upright condition and in a safe place where it will be protected from thieves and unauthorised users.
- This equipment must be inspected by the responsible person before each use and then regularly, as determined by your risk assessment or working practice. If you have any concerns about condition or suitability do not use.

## Disclaimer

### Warranty

The products supplied by Conquip Engineering Group are all guaranteed by a 12 month warranty.

Apart from where exceptions apply, Conquip Engineering Group promises to repair or replace any fault which the Company considers to be due to defective material or workmanship within 12 months of the date of sale, at no additional cost.

- Faults arising from unauthorised alterations (see modifications section below for full details).
- Damage caused by abuse, neglect, misuse or falling.
- Damage caused because of failure to follow transportation, storage, loading, cleaning or operating instructions.
- Replacement or repair of components due to fair wear and tear.
- Any consequential damage or wear arising from the use or fitting of additional or non-standard parts.

### Modifications

If any third-party modifications or alterations, involving drilling, welding, cutting or distortion of materials in any form, are to be carried out on the product, Conquip Engineering Group must provide full written approval prior to the work being carried out.

Alterations, modifications, additions or repairs must be carried out by Conquip Engineering Group's recognised distributors, if they are not carrying out the work themselves.

Conquip Engineering Group operate a continuous improvement policy and therefore reserve the right to alter technical specifications and user guide details at any point without notice.

Conquip Engineering Group will not cover or reimburse any transportation and/or shipment costs to and from their premises or their recognised agents, or any material and/or labour costs for repair, replacement or assessment against a warranty claim.

Conquip Engineering Group and/or their directors, employees, insurers or recognised agents will not be held liable for consequential damages, losses or expenses relating to the inability to use the product correctly for its purpose.

## EC Declaration of Conformity

### In accordance with EN ISO 17050-1:2004

Declaration: As defined by the Machinery Directive 2006/42/EC and subsequent amendments

We, CONQUIP ENGINEERING GROUP, herewith declare that the following indicated equipment meets the fundamental health and safety requirements concerning the EU guide line(s), due to their design and manufacture.

This declaration will be rendered null and void if the machine is changed without our approval.

Signed:



Dated: 2021

Garry Critchley, Managing Director

#### Product Code(s):

CA105AH-00800 / CA105AH-01000

#### EC Directive/ Regulation:

2006/42/EC,  
Lifting Operations and Lifting Equipment Regulations 1998  
Provision and Use of Work Equipment Regulations 1998

#### Harmonised Standards:

BS EN ISO 12100:2010  
BS EN 13155

#### General Description/ Designation:

Block Grab – CA105AH-00800 / CA105AH-01000

#### WLL:

CA105AH-00800 / CA105AH-01000 = 1800kg

## Important Notes

- This User Guide is for this Conquip product only.
- Any movements of the product must be thoroughly planned before the work commences to identify potential hazards and assess risk.
- All personnel involved in lifting and transportation of this product must have read this User Guide and must be properly briefed.
- You must be competent, alert and medically fit when using this equipment. If you have a medical condition, a mental or physical disability, you must seek advice from a medical professional before using this equipment.

Talking to us is easy

**We're here to help**

Call us on (0) 333 300 3470

Email us at [sales@cqegroup.com](mailto:sales@cqegroup.com)

[www.cqegroup.com](http://www.cqegroup.com)

**Conquip Engineering Group**

Waterbrook Estate, Alton, Hampshire, GU34 2UD